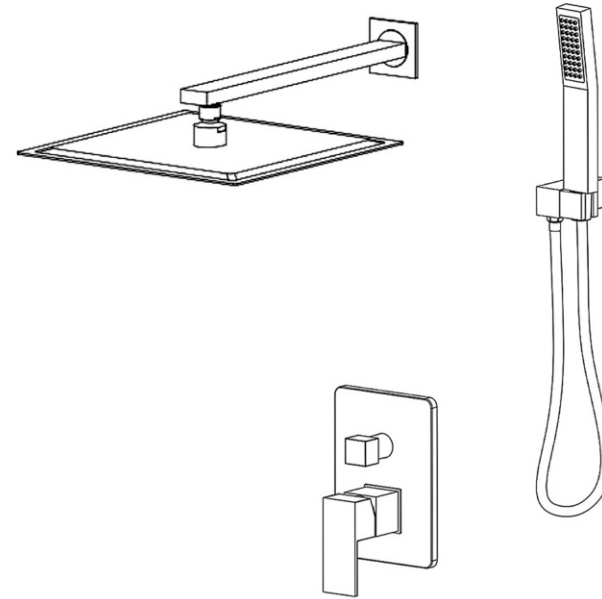


User's Manual



INSTALLATION INSTRUCTIONS

Installation Instructions For Wall Faucet



Yb0711

IAPMO RESEARCH AND TESTING, INC.
 5001 East Philadelphia Street, Ontario, California 91764-2816 • USA • 909-472-4100 Fax 909-472-4244 • www.iapmo.org

ANSI **IAPMO** **UPC**

CERTIFICATE OF LISTING

Effective Date: August 2013 **Valid Through:** August 2016

Product: **Flintkirk Water Connections** **File No. 4737**

Issued To: **Flintkirk Water Connections Co., Ltd.**
 201-20 Victoria Way Blvd.
 Shelton, CT, 06484
 Shelton, CT, 06484

Identifications: **Flintkirk water connections manufactured in various sizes, lengths and metal and fittings for use in cold water applications that consist of an inner tube, which may or may not have an outer braided cover. Connections are to be installed for use in residential construction only and in accordance with the manufacturer's instructions, and the latest edition of the Uniform Plumbing Code.**

Markings: **Markings on plumbing supply fittings shall be visible after installation.**

Labels: **Labels shall be marked with the manufacturer's name, trademark, or other mark as well as the model number or, in the case of plastic labeling, the name, trademark, or mark of the material for which the fitting was manufactured as well as the model number.**

David McHenry *Russ Channing*
 Chairman, Product Certification Committee CEO, The IAPMO Group

IAPMO RESEARCH AND TESTING, INC.
 5001 East Philadelphia Street, Ontario, California 91764-2816 • USA • 909-472-4100 Fax 909-472-4244 • www.iapmo.org

ANSI **IAPMO** **UPC**

CERTIFICATE OF LISTING

Effective Date: October 2014 **Valid Through:** October 2017

Product: **Flintkirk Water Connections** **File No. 4738**

Issued To: **Ybion (Singapore) Plumbing Ware & Parts Co., Ltd.**
 Parkway Industry Drive
 Ybion, Singapore
 Singapore 711516

Identifications: **Manufacturer's name or trademark and IAPMO certification mark. Special note on label "For use with water in exposed locations only."**

Characterization: **Flintkirk water connections manufactured in various sizes, lengths and metal and fittings for use in cold water applications that consist of an inner tube, which may or may not have an outer braided cover. Connections are to be installed for use in residential construction only and in accordance with the manufacturer's instructions, and the latest edition of the Uniform Plumbing Code.**

Markings: **Markings on plumbing supply fittings shall be visible after installation.**

Labels: **Labels shall be marked with the manufacturer's name, trademark, or other mark as well as the model number or, in the case of plastic labeling, the name, trademark, or mark of the material for which the fitting was manufactured as well as the model number.**

David McHenry *Russ Channing*
 Chairman, Product Certification Committee CEO, The IAPMO Group

IAPMO RESEARCH AND TESTING, INC.
 5001 East Philadelphia Street, Ontario, California 91764-2816 • USA • 909-472-4100 Fax 909-472-4244 • www.iapmo.org

ANSI **IAPMO** **UPC**

CERTIFICATE OF LISTING

Effective Date: November 2016 **Valid Through:** November 2017

Product: **Flintkirk Water Connections** **File No. 4739**

Issued To: **171 Network Supply**
 Bakersfield, CA 93315

Identifications: **Each fitting component shall bear permanent legible markings to identify the manufacturer. This marking shall be the trade name, trademark, or other mark borne to identify the manufacturer. The product shall also bear all other markings required by the standard. The marking shall be located where it can be readily seen after installation in complete. The product or packaging shall also bear the IAPMO certification mark.**

Characterization: **Flintkirk water connections manufactured in various sizes, lengths and metal and fittings for use in cold water applications that consist of an inner tube, which may or may not have an outer braided cover. Connections are to be installed for use in residential construction only and in accordance with the manufacturer's instructions, and the latest edition of the Uniform Plumbing Code.**

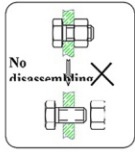
Markings: **Markings on plumbing supply fittings shall be visible after installation.**

Labels: **Labels shall be marked with the manufacturer's name, trademark, or other mark as well as the model number or, in the case of plastic labeling, the name, trademark, or mark of the material for which the fitting was manufactured as well as the model number.**

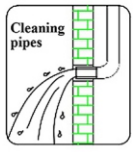
David McHenry *Russ Channing*
 Chairman, Product Certification Committee CEO, The IAPMO Group

INSTALL THE SHOWER

This product has been inspected and debugged by the factory to the best condition. Please do not disassemble and assemble it yourself.



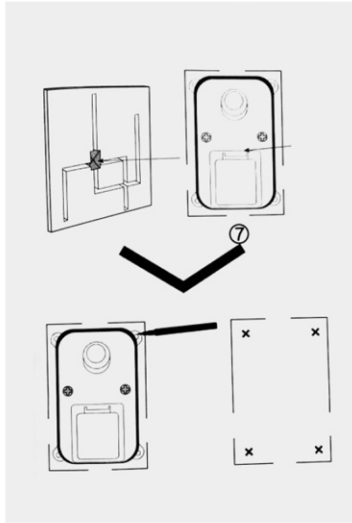
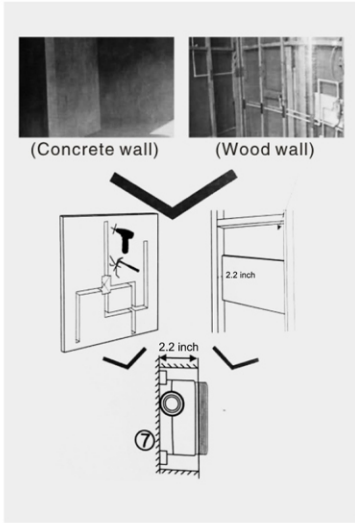
Before installing the faucet, please be sure to remove sundries and sludge from the water pipe to prevent sundries from blocking the faucet.



1. Essential accessories list.

2. Preparation of the wall before installation.

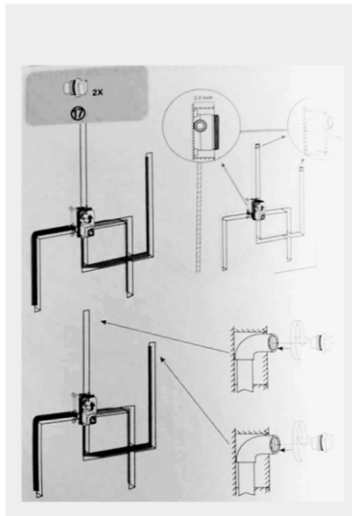
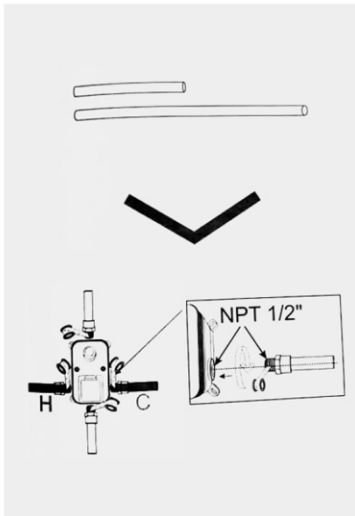
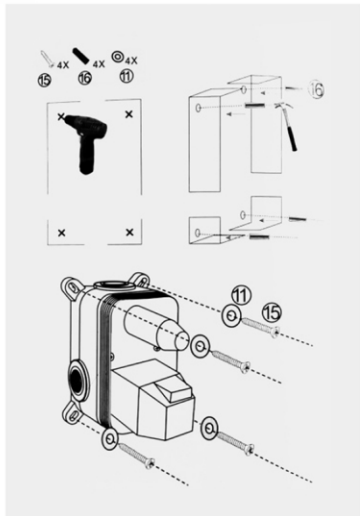
3. Install the concealed body.



4. Install the concealed body.

5. Clean the inside of the water pipe and fitting ensure no impurities.

6. Install the inside of the water pipe and plug the outside of the water pipe with plug.

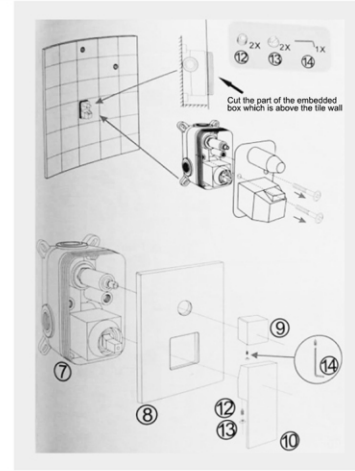
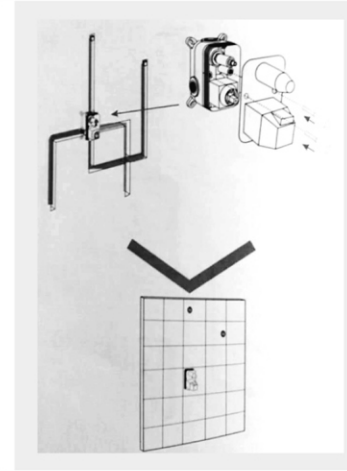
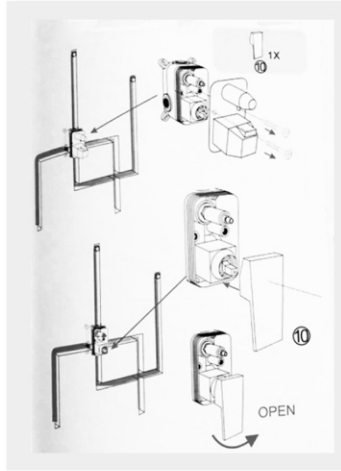


INSTALL THE SHOWER

7. Make sure there is no leakage and can be supplied cold or hot water.

8. Paste tile.

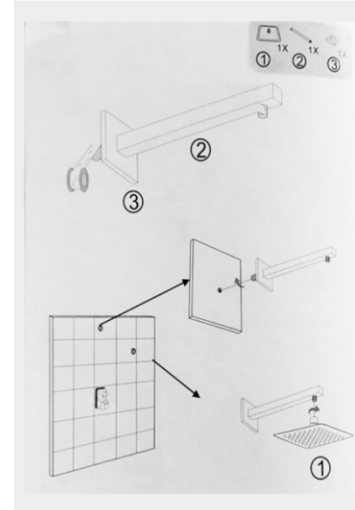
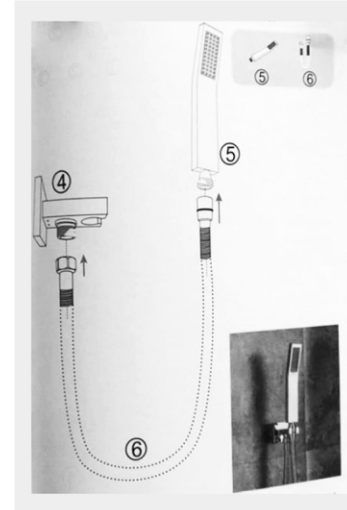
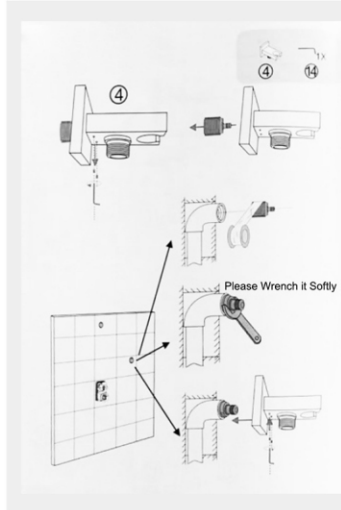
9. Install the concealed body panel and handle.



10. Install shower bracket.

11. Install handheld shower head and shower hose.

12. Install shower arm and rain shower head.



CLEANING CARE

In order to keep the appearance of faucet clean, bright and good performance, please take care of the faucet as follows:

1. Rinse with water only and dry with soft cotton cloth;
2. Use mild liquid and colorless glass cleaner to remove surface dirt and scale film, or use polish without abrasive effect;
3. Do not use abrasive detergent, polish, emery cloth, paper towel or scraper, etc.;
4. Do not use acid cleaner, or cleaner and soap with insoluble gran etc.;
5. In the process of use, mud may accumulate in the bubbler and make the water flow show. The bubbler can be unscrewed, rinsed with water, and then installed back in place.



