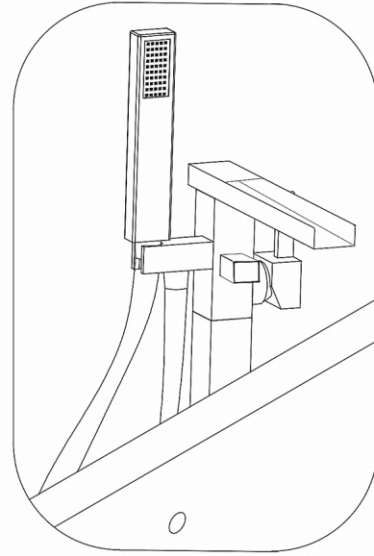
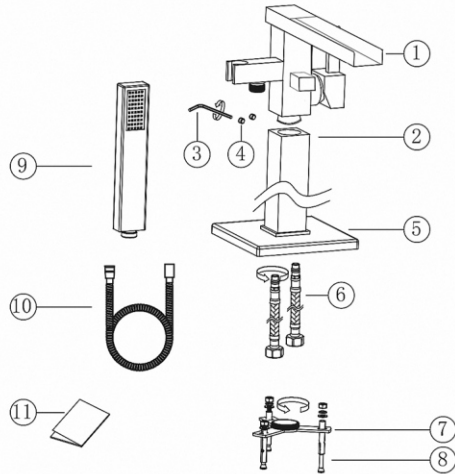


Freestanding Bathtub Faucet Manual

1. Please check everything component by the list below after you open the package, make sure nothing missing, if any, please contact with the dealer where you buy from.

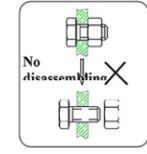


NO.	Part	PCS
1	Main Body	1
2	Straight Tube	1
3	Screw Driver	1
4	Screws	2
5	Decorative Cover	1
6	Inlet Tube	2
7	Bolts Holder	1
8	Expansion Bolts	3
9	Shower Head	1
10	Shower Tube	1
11	Manual	1

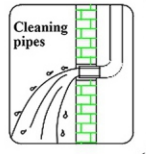


2. Using the faucet for a matching height bathtub.

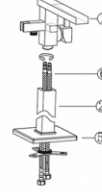
This product has been inspected and debugged by the factory to the best condition. Please do not disassemble and assemble it yourself.



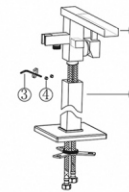
Before installing the faucet, please be sure to remove sundries and sludge from the water pipe to prevent sundries from blocking the faucet.



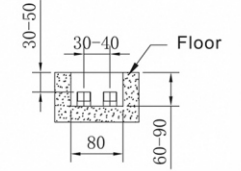
1. Connect the straight tube, decorative tube and bolts holder to inlet tube then screw the inlet tube to main body



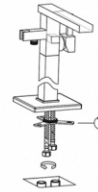
2. Connect the main body with straight tube by screws, by using the screw driver provided.



3. Prepare water inlet like the drawing below.



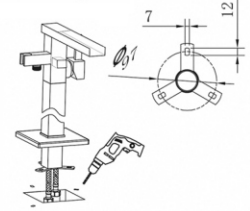
4. Connect the inlet tube like the drawing



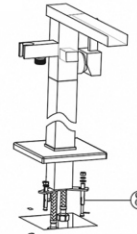
5. Twist the bolts holder to the faucet



6. Drill holes on floor based on the drawing



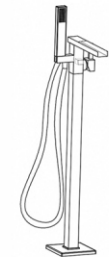
7. Tighten the expansion bolts .



8. Twist the shower tube to both faucet and shower head



9. Finished assembly



CLEANING CARE

In order to keep the appearance of faucet clean, bright and good performance, please take care of the faucet as follows;

1. Rinse with water only and dry with soft cotton cloth;
2. Use mild liquid and colorless glass cleaner to remove surface dirt and scale film, or use polish without abrasive effect;
3. Do not use abrasive detergent, polish, emery cloth, paper towel or scraper, etc.;
4. Do not use acid cleaner, or cleaner and soap with insoluble gran etc.;
5. In the process of use, mud may accumulate in the bubbler and make the water flow show. The bubbler can be unscrewed, rinsed with water, and then installed back in place.



