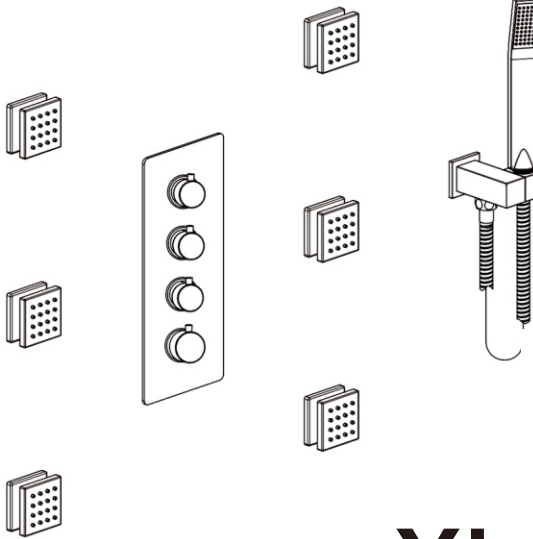
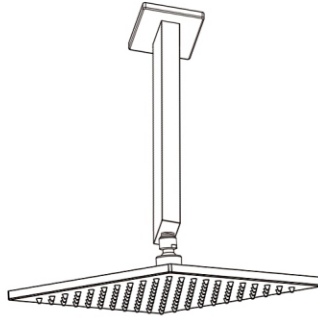


User's Manual



Concealed Thermostatic Shower System Installation Manual



Yb0807

IAPMO RESEARCH AND TESTING, INC.
5001 East Philadelphia Street, Ontario, California 91761-2816 • (909) 472-4100 Fax (909) 472-4244 • www.iapmo.org

ANSI **IAPMO R&T** **UPC**

CERTIFICATE OF LISTING

UPC

IAPMO Research and Testing, Inc. is a product certification body which tests and inspects samples taken from the supplier's stock or from the market or a combination of both to verify compliance to the requirements of applicable codes and standards. This activity is subject to periodic surveillance of the supplier's factory and warehouses as well as the assessment of the supplier's Quality Assurance System. This listing is subject to the conditions set forth in the accompanying Rules and Regulations or any recommendations, insurance or guarantees by IAPMO Research and Testing, Inc. or the product acceptance by Authorities Having Jurisdiction.

The most updated information on this Certificate of Listing is available online at pld.iapmo.org

Effective Date: August 2013 Void After: August 2014

Product: Plumbing Fixture Fittings File No. 8737

Issued To: Haiping Heart Cartridge Co., Ltd.
No. 28 Helman Dong Road,
Shilong Town,
Haiping City, GUANGDONG
China

Identification: Plumbing supply fittings complying with this Standard shall be marked with the manufacturer's recognized name, trademark, or other mark or, in the case of private labeling, the name, trademark or other mark of the customer for whom the fitting was manufactured. The marking shall be accomplished by use of a permanent mark or by placing a permanent label on the product. Markings on plumbing supply fittings shall be visible after installation.

Single-handle, single-control, and automatic compensating mixing bath and shower valves shall have identifiable temperature control settings in which the settings are indicated by words "cold", "warm", "hot", etc.), by numbers, or graphically.

Packages shall be marked with the manufacturer's name, trademark, or other mark as well as the model number or, in the case of private labeling, the name, trademark, or mark of the customer for whom the fitting was manufactured as well as the model number.

David McHenry
Chairman, Product Certification Committee

Ran Chen
CEO, The IAPMO Group

This listing period is based upon the last date of the month indicated on the Effective Date and Void After Date shown above. Any change in existing manufacturing process, marking or design without having first obtained the approval of the Product Certification Committee, or any violation of non-compliance with applicable codes and standards or of other requirements, may be deemed sufficient cause for revocation of this listing. Production of an article to this form for advertising purposes may be made only by specific written permission of IAPMO Research and Testing, Inc. Any alteration of this certificate should be grounds for revocation of the listing. This document shall be reproduced in its entirety.

IAPMO RESEARCH AND TESTING, INC.
5001 East Philadelphia Street, Ontario, California 91761-2816 • (909) 472-4100 Fax (909) 472-4244 • www.iapmo.org

ANSI **IAPMO R&T** **UPC**

CERTIFICATE OF LISTING

UPC

IAPMO Research and Testing, Inc. is a product certification body which tests and inspects samples taken from the supplier's stock or from the market or a combination of both to verify compliance to the requirements of applicable codes and standards. This activity is subject to periodic surveillance of the supplier's factory and warehouses as well as the assessment of the supplier's Quality Assurance System. This listing is subject to the conditions set forth in the accompanying Rules and Regulations or any recommendations, insurance or guarantees by IAPMO Research and Testing, Inc. or the product acceptance by Authorities Having Jurisdiction.

The most updated information on this Certificate of Listing is available online at pld.iapmo.org

Effective Date: October 2016 -Rev. 11/28/2016- Void After: October 2017

Product: Flexible Water Connectors File No. 4955

Issued To: Yuhuan Jiangxin Plumbing Hose & Parts Co., Ltd.
Yuhuan Industry Zone
Dajiang 317000,
China

Identification: Manufacturer's name or trademark and UPC certification mark. Special note on label "For use with water in exposed locations only."

Characteristics: Flexible water connectors manufactured in various sizes, lengths and metal and fittings for hot or cold water applications that consist of an inner tube, which may or may not have an outer braided cover. Connectors are to be installed for use in accessible locations only and in accordance with the manufacturer's instruction, and the latest edition of the Uniform Plumbing Code.

Products listed on this certificate have been tested by an IAPMO R&T recognized laboratory. This recognition has been granted based upon the laboratory's compliance to the applicable requirements of ISO/IEC 17025.

Products are in compliance with the following code(s):
Uniform Plumbing Code (UPC)

David McHenry
Chairman, Product Certification Committee

Ran Chen
CEO, The IAPMO Group

This listing period is based upon the last date of the month indicated on the Effective Date and Void After Date shown above. Any change in existing manufacturing process, marking or design without having first obtained the approval of the Product Certification Committee, or any violation of non-compliance with applicable codes and standards or of other requirements, may be deemed sufficient cause for revocation of this listing. Production of an article to this form for advertising purposes may be made only by specific written permission of IAPMO Research and Testing, Inc. Any alteration of this certificate should be grounds for revocation of the listing. This document shall be reproduced in its entirety.

IAPMO RESEARCH AND TESTING, INC.
5001 East Philadelphia Street, Ontario, California 91761-2816 • (909) 472-4100 • (909) 472-4244 • www.iapmo.org

ANSI **IAPMO R&T** **UPC**

CERTIFICATE OF LISTING

UPC

IAPMO Research and Testing, Inc. is a product certification body which tests and inspects samples taken from the supplier's stock or from the market or a combination of both to verify compliance to the requirements of applicable codes and standards. This activity is subject to periodic surveillance of the supplier's factory and warehouses as well as the assessment of the supplier's Quality Assurance System. This listing is subject to the conditions set forth in the accompanying Rules and Regulations or any recommendations, insurance or guarantees by IAPMO Research and Testing, Inc. or the product acceptance by Authorities Having Jurisdiction.

The most updated information on this Certificate of Listing is available online at pld.iapmo.org

Effective Date: November 2016 -Rev. 3/1/2017- Void After: November 2017

Product: Plumbing Fixture Fittings File No. 4528

Issued To: Hengpel, Inc.
171 Hattatuck Heights
Waterbury, CT 06705

Identification: Each fitting component shall bear permanent legible markings to identify the manufacturer. This marking shall be the trade name, trademark, or other mark known to identify the manufacturer. The product shall also bear all other markings required by the standard. The marking shall be located where it can be readily seen after installation is complete. The product or packaging shall also bear the UPC certification mark.

Characteristics: Plumbing fixture fitting components to be installed in accordance with the manufacturer's instructions and the requirements of the latest edition of the Uniform Plumbing Code.

Products listed on this certificate have been tested by an IAPMO R&T recognized laboratory. This recognition has been granted based upon the laboratory's compliance to the applicable requirements of ISO/IEC 17025.

Products are in compliance with the following code(s):
Uniform Plumbing Code (UPC)
National Plumbing Code of Canada

Tom Collins
Chairman, Product Certification Committee

Ran Chen
CEO, The IAPMO Group

This listing period is based upon the last date of the month indicated on the Effective Date and Void After Date shown above. Any change in existing manufacturing process, marking or design without having first obtained the approval of the Product Certification Committee, or any violation of non-compliance with applicable codes and standards or of other requirements, may be deemed sufficient cause for revocation of this listing. Production of an article to this form for advertising purposes may be made only by specific written permission of IAPMO Research and Testing, Inc. Any alteration of this certificate should be grounds for revocation of the listing. This document shall be reproduced in its entirety.

BEFORE INSTALLATION

Conditions of Use

1.Cold water * hot water pressure:

The minimum pressure is 0.05 MPa (flow pressure) ; the maximum pressure is 0.75 MPa (static pressure)

2.Do not use steam for hot water supply. Water supply temperature <85°C/ 185°F.

3.The ambient temperature should be above 0°C/ 32°F, if It Is not higher than 0°C/ 32°F, the water faucet will appear deformed and cracked.

Prior to Installation:

1.Cleaning of water supply pipeline:

Supply lines should be purged to clean impurities before connecting the unit to avoid blockage.

2.Pay attention to each step in the installation process:

① Before installation. the debris around the mounting hole must be cleaned;

② Be careful not to scratch the electroplated surface of the valve body when opening the package;

③ Please don't twist it too tight with a pipe wrench to prevent deformation or even breakage.

Precautions and Maintenance

1.In order to ensure the durability of the product, please be as gentle and slow as possible during operation.

2.Clean the filter regularly.

3.When the shower is used for a long time and water is found to flow out intermittently, there must be debris blocking the water outlet. At this time, you only need to gently pull the soft rubber ring at the water outlet of the shower, then the debris will be automatically rushed out.

4.If any dirt, clean with soft liquid or transparent glass detergent, then rinse it with soft water, finally gently wipe it with adry soft cloth.

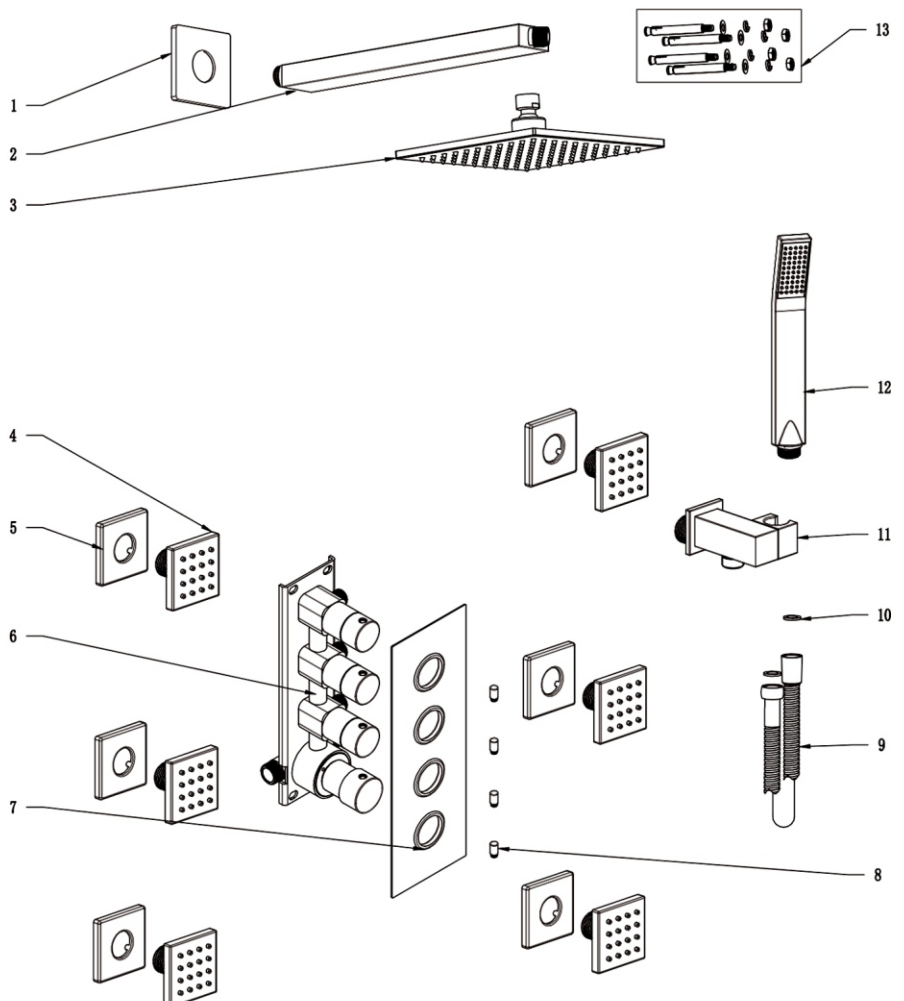
5.Do not use any scrubbing detergent, polisher, sand cloth, paper tissue or scraper.

6.Do not use acid detergent, insoluble grain-like detergent or soap.

7.If you will not use the shower for a long time, please close the main water inlet valve in your hom.

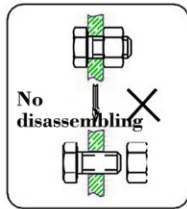
8.When the ambient temperature is under 0°C/ 32°F, please take necessary measures to keep the water equipment Warm.

NO.	Description	Qty
1	Cover Plate	1
2	Rain Shower Pipe	1
3	Top Rain Head	1
4	Body Spray	6
5	Cover Plate	6
6	Valve Body	1
7	Decorative Plate	1
8	Handwheel stem	4
9	Shower Hose	1
10	Washers	2
11	Handheld Bracket	1
12	Hand Spray	1
13	Kits bag(4 screws, 4 nuts, 4 Washers)	1

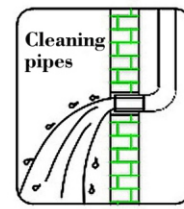


INSTALLATION STEPS

This product has been inspected and debugged by the factory to the best condition. Please do not disassemble and assemble it yourself.

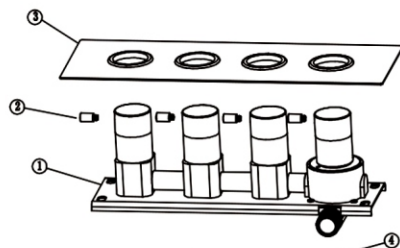


Before installing the faucet, please be sure to remove sundries and sludge from the water pipe to prevent sundries from blocking the faucet.

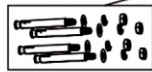


1. Installation Steps of Valve Body

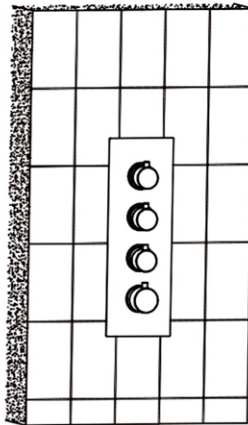
Accessory list



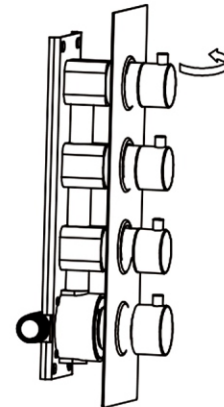
NO.	Description	Qty
1	Valve Body	1
2	Handwheel stem	4
3	Face Plate	1
4	Expand Screws	4



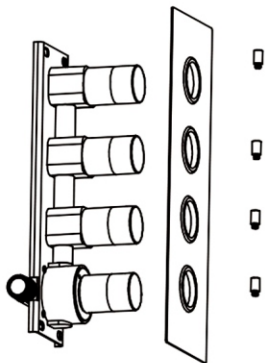
Assembly sketch



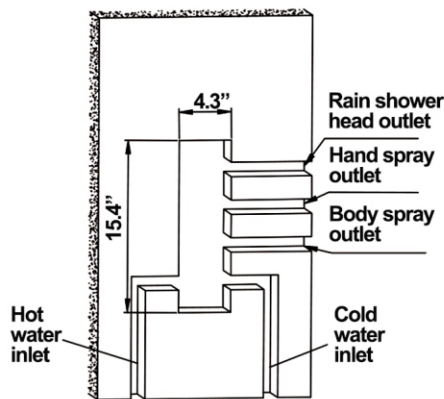
1) Counter clockwise to unscrew the decorative screws and pull them out, then use the Allen screw to remove the hexagonsocket screws.



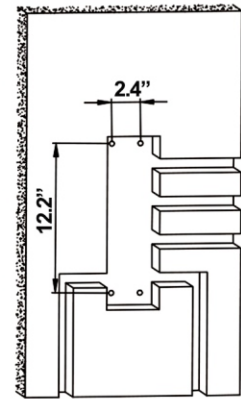
2). Then remove the face plate and handwheel stem, take apart the valve into 3 parts as shown in the picture.



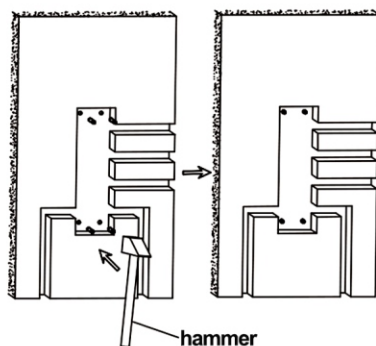
3). With reference to the basic dimensions of the embedded body, excavate the embedded ports of the main body, hot & cold water inlet pipe and the outlet pipe.



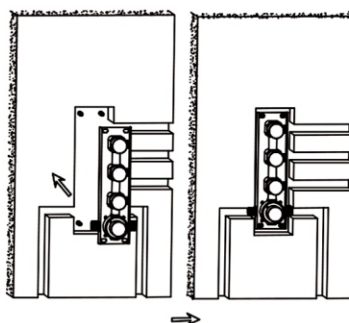
4). Drill four 6mm positioning holes according to the product size.



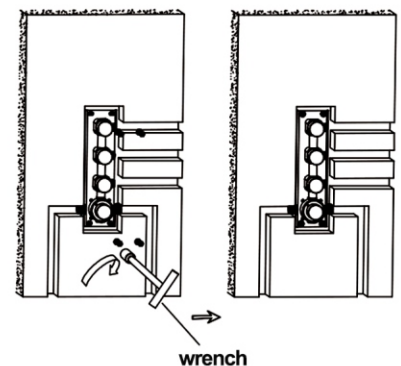
5). Hammer the expanded screw in the 4 drilled holes.



6). Position the valve body on the 4 screws.

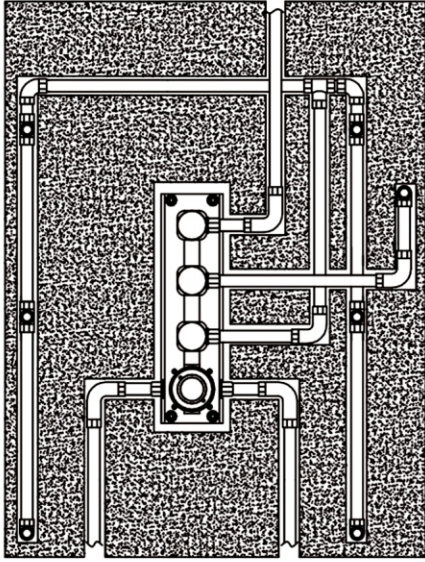


7). Use a Phillips screwdriver to tighten the 4 self-tapping screws, fix the valve body on the wall.

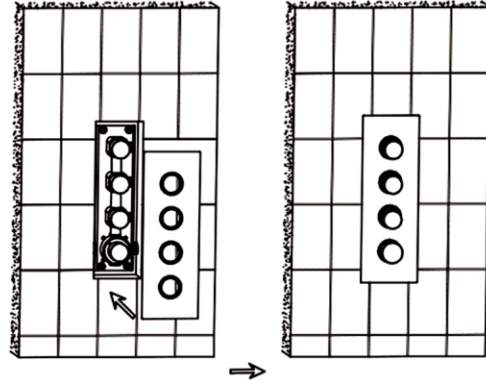


INSTALLATION STEPS

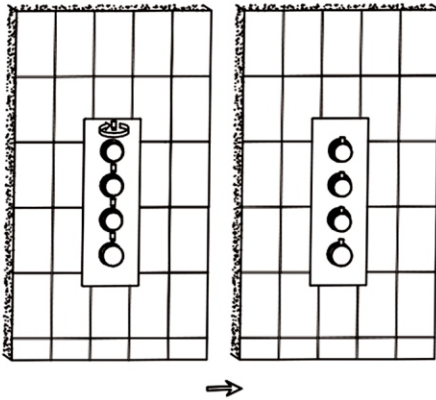
8). Connect all the pipes to check leakage, confirm no leak occurs when turn on water.



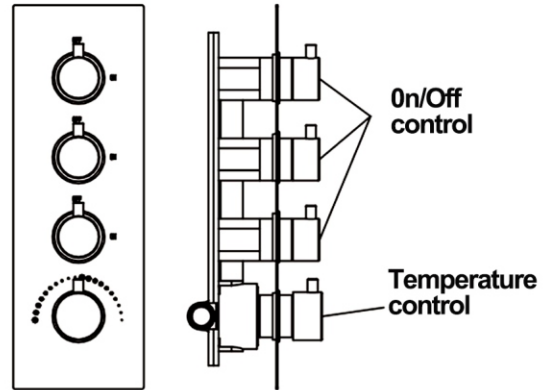
9). Fix the decorative plate and knobs on the valve body. Screw the hand-wheel on the handles and tighten with a Allen wrench.



10). Insert 3 decorative screw into the knobs.

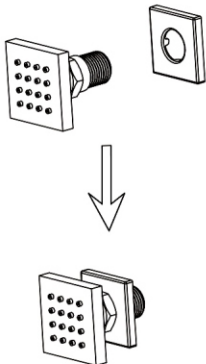


11). Function indication as shown.

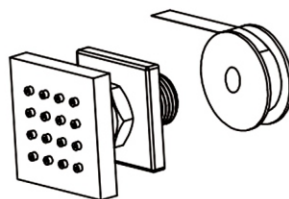


2. Installation Steps of Body Jets.

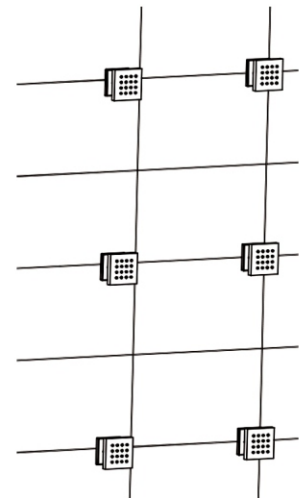
1). Attach the cover plate to body jets.



2). Apply Teflon tape to threaded tail of the body jets.



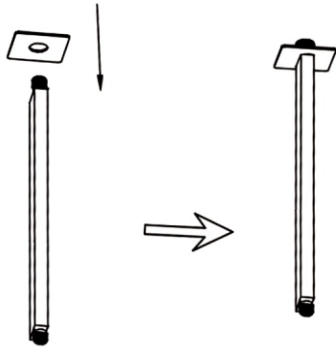
3). Use a wrench to screw the jet heads clockwise into the body spray outlets.



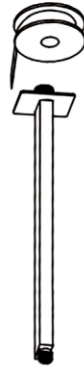
INSTALLATION STEPS

3. Installation Steps of Rain shower

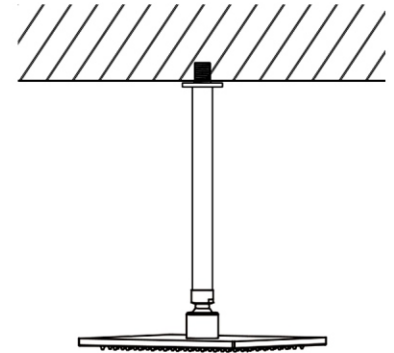
1). Attach the cover plate to the longer tail of the shower arm.



2). shower arm longer thread with Teflon tape.

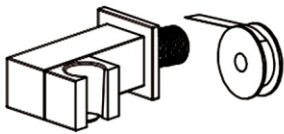


3. Screw the shower head clockwise onto the lower end of the shower pipe.

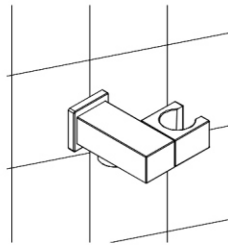


4. Installation Steps of Hand Shower

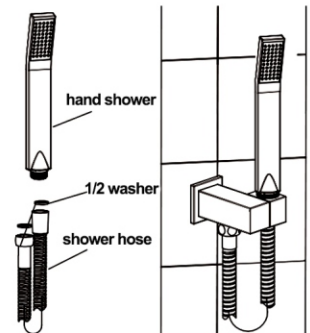
1). Wrap supply elbow thread with Teflon tape and attach cover plate to it.



2). Screw the shower holder clockwise onto the hand-shower outlet.



3). Place rubber washers in both ends of the hose. Connect the shower hose to the supply elbow and shower head. Note the ends of shower hose to be connected correctly.



CLEANING CARE

In order to keep the appearance of faucet clean, bright and good performance, please take care of the faucet as follows;

1. Rinse with water only and dry with soft cotton cloth;
2. Use mild liquid and colorless glass cleaner to remove surface dirt and scale film, or use polish without abrasive effect;
3. Do not use abrasive detergent, polish, emery cloth, paper towel or scraper, etc.;
4. Do not use acid cleaner, or cleaner and soap with insoluble gran etc.;
5. In the process of use, mud may accumulate in the bubbler and make the water flow show, The bubbler can be unscrewed, rinsed with water, and then installed back in place.



