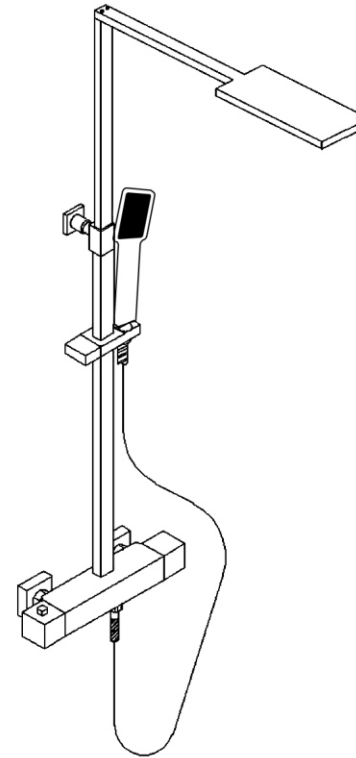


# INSTALLATION MANUAL

## User's Manual



# Yb0837



IAPMO RESEARCH AND TESTING, INC.  
5001 East Philadelphia Street, Ontario, California 91761-2816 • (909) 472-4100 Fax (909) 472-4244 • www.iapmo.org

**ANSI IAPMO UPC**

### CERTIFICATE OF LISTING

IAPMO Research and Testing, Inc. is a private not-for-profit corporation which has been recognized by the International Association of Plumbing and Mechanical Officials (IAPMO) as the authorized testing laboratory for the certification of plumbing and mechanical products. This listing is a statement of compliance with the requirements of the International Association of Plumbing and Mechanical Officials (IAPMO) and is not a warranty or endorsement of the product. The listing is subject to change without notice and is not a guarantee of performance. IAPMO Research and Testing, Inc. is not responsible for the installation or use of the product. For more information, contact us at (909) 472-4100 or visit our website at www.iapmo.org.

Effective Date: August 2012      Void After: August 2014

Product: **Flushing Fixture Fittings**      File No. 6103

Issued To: **Kalpak Heart Centridge Co., Inc.**  
86 W. Wilson Blvd.,  
Mableton, GA 30128  
Atlanta, GA 30328

**Identifications:** Flushing supply fittings complying with this Standard shall be marked with the manufacturer's recognized name, trademark, or other mark on or in the case of private labeling, the name, trademark or other mark of the customer for whom the fitting was manufactured. The marking shall be accompanied by one of a permanent mark or by placing a permanent label on the product. Markings on plumbing supply fittings shall be visible after installation.

**Single-handle, single-control, and automatic compensating mixing bath and shower valves shall have identifiable temperature control settings in which the settings are indicated by words "cold", "heat", "hot", "shut-off", or symbols, or equivalents.**

**Partners shall be marked with the manufacturer's name, trademark, or other mark as well as the model number or, in the case of private labeling, the name, trademark, or mark of the customer for whom the fitting was manufactured as well as the model number.**

*David McHenry*      *Rene Channing*

This listing is valid for the United States and is not valid for the countries included in the IAPMO International Association of Plumbing and Mechanical Officials (IAPMO) Standard for the United States and Canada. Any change in marking, design, or material shall require a new listing. This listing is not a warranty or endorsement of the product. The listing is subject to change without notice and is not a guarantee of performance. IAPMO Research and Testing, Inc. is not responsible for the installation or use of the product. For more information, contact us at (909) 472-4100 or visit our website at www.iapmo.org.

IAPMO RESEARCH AND TESTING, INC.  
5001 East Philadelphia Street, Ontario, California 91761-2816 • (909) 472-4100 Fax (909) 472-4244 • www.iapmo.org

**ANSI IAPMO UPC**

### CERTIFICATE OF LISTING

IAPMO Research and Testing, Inc. is a private not-for-profit corporation which has been recognized by the International Association of Plumbing and Mechanical Officials (IAPMO) as the authorized testing laboratory for the certification of plumbing and mechanical products. This listing is a statement of compliance with the requirements of the International Association of Plumbing and Mechanical Officials (IAPMO) and is not a warranty or endorsement of the product. The listing is subject to change without notice and is not a guarantee of performance. IAPMO Research and Testing, Inc. is not responsible for the installation or use of the product. For more information, contact us at (909) 472-4100 or visit our website at www.iapmo.org.

Effective Date: October 2014      Rev. 11/23/2014      Void After: October 2017

Product: **Flexible Water Connectors**      File No. 6103

Issued To: **Yates Flexible Plumbing Hose & Fittings Co., Inc.**  
P.O. Box 1000  
Dallas, TX 75201  
Dallas, TX 75201

**Identifications:** Manufacturer's name or trademark and UPC certification mark. Special note on label "For use with water in exposed locations only."

**Characteristics:** Flexible water connectors manufactured in various sizes, lengths and metal and fittings for hot or cold water applications that consist of an inner tube, which may or may not have an outer braided cover. Connectors are to be installed for use in accessible locations only and in accordance with the manufacturer's instructions, and the latest edition of the Uniform Plumbing Code.

Products listed on this certificate have been tested by an IAPMO R&T recognized laboratory. This recognition has been granted based upon the laboratory's compliance to the applicable requirements of ISO/IEC 17025.

Products are in compliance with the following codes:  
Uniform Plumbing Code (UPC)

*David McHenry*      *Rene Channing*

This listing is valid for the United States and is not valid for the countries included in the IAPMO International Association of Plumbing and Mechanical Officials (IAPMO) Standard for the United States and Canada. Any change in marking, design, or material shall require a new listing. This listing is not a warranty or endorsement of the product. The listing is subject to change without notice and is not a guarantee of performance. IAPMO Research and Testing, Inc. is not responsible for the installation or use of the product. For more information, contact us at (909) 472-4100 or visit our website at www.iapmo.org.

IAPMO RESEARCH AND TESTING, INC.  
5001 East Philadelphia Street, Ontario, California 91761-2816 • (909) 472-4100 Fax (909) 472-4244 • www.iapmo.org

**ANSI IAPMO UPC**

### CERTIFICATE OF LISTING

IAPMO Research and Testing, Inc. is a private not-for-profit corporation which has been recognized by the International Association of Plumbing and Mechanical Officials (IAPMO) as the authorized testing laboratory for the certification of plumbing and mechanical products. This listing is a statement of compliance with the requirements of the International Association of Plumbing and Mechanical Officials (IAPMO) and is not a warranty or endorsement of the product. The listing is subject to change without notice and is not a guarantee of performance. IAPMO Research and Testing, Inc. is not responsible for the installation or use of the product. For more information, contact us at (909) 472-4100 or visit our website at www.iapmo.org.

Effective Date: November 2016      Rev. 3/1/2017      Void After: November 2017

Product: **Flushing Fixture Fittings**      File No. 6103

Issued To: **General Inc.**  
111 Westwood Heights  
Beverly Hills, CA 90210

**Identifications:** Each fitting component shall have permanent legible markings to identify the manufacturer. This marking shall be the trade name, trademark, or other mark name to identify the manufacturer. The product shall also bear all other markings specified by the standard. The marking shall be located where it can be readily seen after installation is complete. The product or packaging shall also bear the UPC certification mark.

**Characteristics:** Flushing Fixture Fitting components to be installed in accordance with the manufacturer's instructions and the requirements of the latest edition of the Uniform Plumbing Code.

Products listed on this certificate have been tested by an IAPMO R&T recognized laboratory. This recognition has been granted based upon the laboratory's compliance to the applicable requirements of ISO/IEC 17025.

Products are in compliance with the following codes:  
Uniform Plumbing Code (UPC)

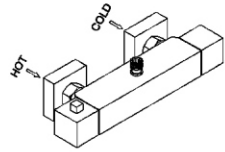
*Tom Helling*      *Rene Channing*

This listing is valid for the United States and is not valid for the countries included in the IAPMO International Association of Plumbing and Mechanical Officials (IAPMO) Standard for the United States and Canada. Any change in marking, design, or material shall require a new listing. This listing is not a warranty or endorsement of the product. The listing is subject to change without notice and is not a guarantee of performance. IAPMO Research and Testing, Inc. is not responsible for the installation or use of the product. For more information, contact us at (909) 472-4100 or visit our website at www.iapmo.org.

# INSTALL THE SHOWER

Dear user:

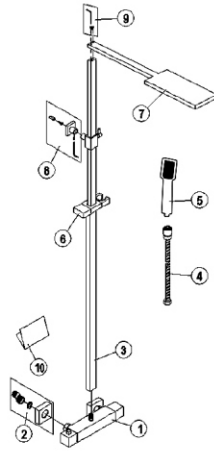
Thank you for choosing our constant temperature shower faucets. In order to make the faucets clean, durable and comfortable, please read the instructions carefully before installation.



1. Attention:
  - 1.1. Please check the parts are complete when you open the packages, if there is any damage, please contact the local dealer immediately.
  - 1.2. Please find out the shower elbow, straight pipe, fixed holder and other accessories, and combine the shower pipes first according to the installation manual.
  - 1.3. Please remove the impurities and sludge in the embedded water pipe before pre assembly, to avoid blocking and affecting the work of thermostatic mixer.
  - 1.4. Before pre-installation, when wrapping the raw material belt with special bent feet, try not to let the raw material belt leak out of the thread bottom surface of special bent feet, otherwise it will cause unnecessary trouble in subsequent use.
  - 1.5. Before pre-installation, please confirm the water inlet pipe interface is consistent with the specification of the water inlet connector of the product; the shower pipe shall be aligned with the thermostatic mixer, and must be balanced up and down.
  - 1.6. The working principle and internal structure of thermostatic mixer determine its thermostatic function. Therefore, it is necessary to ensure that the cold (blue) and hot (red) water supply pipes correspond to the cold (blue) and hot (red) position of thermostatic mixer before the installation, the principle of left hot and right cold shall be followed. (see the above figure) if the hot and cold water inlet is contrary to the requirements, the thermostatic mixer after installation will be out of work, [the misuse caused by the wrong installation is not covered by the free warranty]
  - 1.7. Thermostatic faucet is the heart of thermostatic which shall be 100% inspected and adjusted before delivery. The default value is  $(38 \pm 2) ^\circ\text{C}$ . Do not disassemble.
  - 1.8. The thermostatic mixer has no self heating function, pressurization and pressure-regulating function. The thermostatic function cannot be guaranteed when the water supply temperature or water pressure cannot meet the conditions.
  - 1.9. Please check the joints are tightly connected and whether the pipeline has leakage after installation.

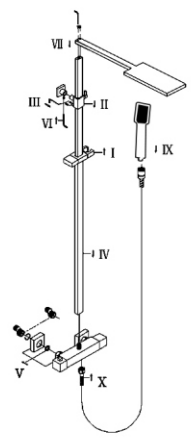
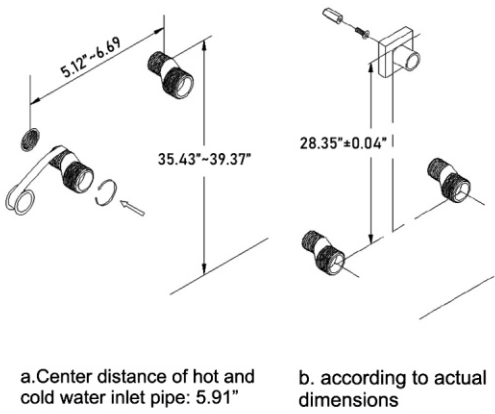
2. exposed shower set installation steps:

2.1. Packing list:

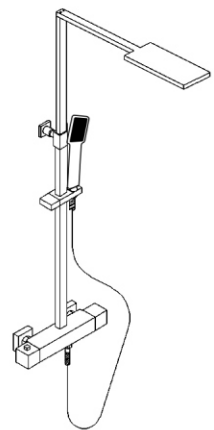


No.	Description	Qty
1	Main body	1
2	Accessories	1
3	Flat square pipe	1
4	Shower hose	1
5	Hand shower	1
6	brass sleeve	1
7	Head shower arm	1
8	Fixed holder	1
9	Accessories	1
10	Installation manual	1

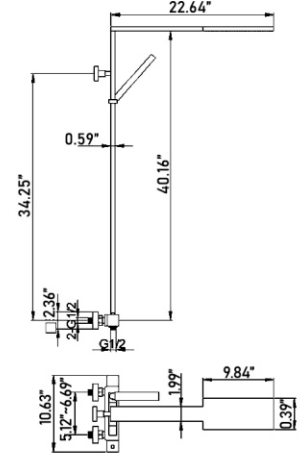
2.2. installation steps:



c. Installation in sequence



d. Test after installation



e. specification

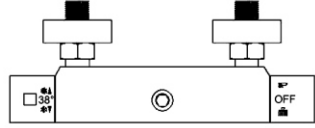
3. Technical description of thermostatic mixer:

- 3.1 Ideal work pressure: 0.1MPa~0.5MPa;
- 3.2 Cold water inlet temperature:  $4^\circ\text{C} \sim 29^\circ\text{C}$ ; Hot water inlet temperature:  $55^\circ\text{C} \sim 85^\circ\text{C}$ ;
- 3.3 Safety setting button:  $38^\circ\text{C}$ ;
- 3.4 Application standard :ASME A112.18.1-2005/CSA B125.1-05、EN1111 and QB2806-2017

4. Methods:

4.1. This product is the left hand wheel to control the temperature, the right hand wheel to switch the modes and change water flow.

- ①. The left hand wheel scale is aligned at  $(38 \pm 1) ^\circ\text{C}$  (see the left figure below). Rotate clockwise to reduce the temperature; rotate counterclockwise to increase the temperature.)
- ②. The right hand wheel scale is closed when it is aligned (see the right figure below). Rotate clockwise, the bathtub faucet or hand shower will come out of the water; Rotate counterclockwise, shower head will be running water.



5. Maintenance:

In order to keep the surface of the thermostatic mixer bright, please clean the faucet regularly:

1. Please clean the faucet with water frequently and wipe the mixer with dry soft cotton cloth;
2. Do not use detergent or nylon brush with coarse particles such as decontamination powder or polishing powder to avoid wearing the product;
3. Due to acid detergent can corrode the coating, it shall not be used. If the tiles have been washed with acid detergent, the tiles and utensils shall be washed with water immediately to avoid washing. Spray polyester agent on the surface of the faucet to erode the bottom layer of the faucet;

If a large amount of cleaning work is required, please follow the following procedures:

## INSTALL THE SHOWER

1. Use clean water and soft cloth to remove the dirt film on the surface as much as possible;
2. Use any of the following detergents to remove surface dirt and fouling film:
  - Mild liquid cleaner.
  - Colorless glass cleaner, powder cleaner without abrasive and completely soluble (and not mixed according to fingers).
  - Polishing fluid without wearing effect
3. Please remove all detergent with clear water and dry it with soft cotton cloth after cleaning.

### 6. Misuse and solutions:

#### 1. No hot water:

(1) Set the thermostatic mixer temperature above 38 °C, but still no hot water:

a. The direction of cold and hot water supply pipes is opposite to thermostatic mixer.

Solution: change the direction of cold and hot water supply pipes to ensure to follow the principle of left hot right cold;

b. Residual cold water in hot water channel,

Solution: put away residual cold water before use;

c. There is no cold water entering the valve body due to the water supply pipeline being stopped or the cold water inlet being blocked.

Solution: clean the filter at the inlet to ensure the supply of cold water;

d. The hot water inlet is blocked, or there is no hot water supply source meeting the use conditions.

Solution: clean the filter at the inlet to ensure that the hot water supply meets the constant temperature use conditions.

(2) Set the thermostatic mixer temperature above 38 °C, but still no hot water:

a. the temperature of hot water supply does not reach above 55 °C, solution: increase the temperature of hot water source to ensure to meet the constant temperature conditions;

b. the water pressure of hot water supply fails to reach the constant temperature condition (the water pressure is not enough, which is commonly used by solar rooftop users or high-rise households).

Solution: for users with normal water pressure of cold water supply, it is recommended to replace the solar water heater with other water storage water heaters, and if the water pressure cannot meet the requirements of constant temperature mixer, it is suggested to add booster pump.. The hot water temperature of the water heater is generally higher than 100 °C, and the hot water temperature exceeds the limit temperature of the thermostatic mixer (the hot water temperature of the thermostatic faucet is between 55 °C - 85 °C), so that the thermostatic mixer cannot work normally.

2. The gas water heater is not on fire or stops for a while: the water temperature is fluctuated. The main reason is that the water heater sets a default value to meet its own requirements, so the water flow and temperature are not enough.

Solution: adjust the default value of the gas water heater factory setting to the conditions required by the thermostatic mixer water temperature can be used.

3. The electric water heater with the outlet water temperature of the thermostatic mixer is low. the main reason is that the temperature of the heater is generally set at about 50 °C when it leaves the factory, so the hot water for the thermostatic mixer will be low, solution: reset the hot water outlet temperature of the heater, and it is recommended to set it at about 60 °C.

4. There is water dripping at any interface of the faucet. Solution: tighten it slightly with tools at the interface or after wrapping the raw material belt at the thread.

5. Is there water dripping between shower head and hand shower?

Solution: the right water separator end of the thermostatic faucet is not closed properly. Try to close it to solve this problem.

**Tip: constant temperature shower is the perfect match with electric water heater and air energy water heater.**

