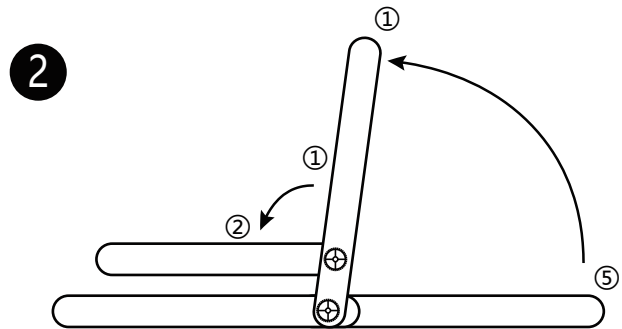
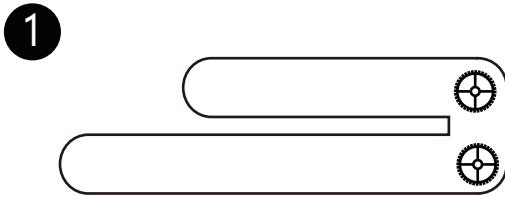



Thank you for your purchase. Please read following instructions before start using.

**Function**

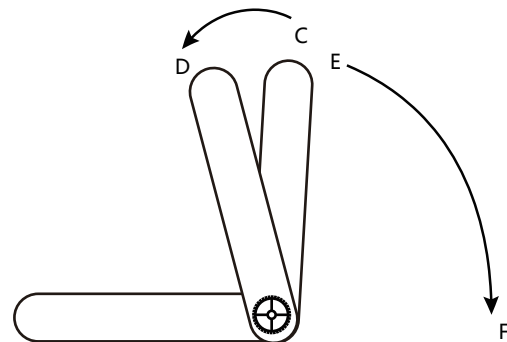
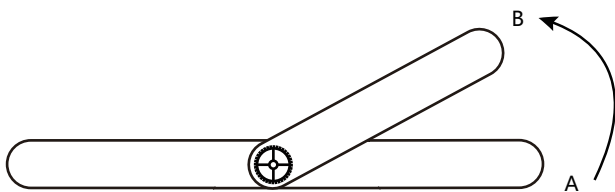


**3** You can flat the sofa by adjusting these two metal regulators.



 metal regulators.

**Adjustment**



**Step 1**  
How to adjust the gear?  
Adjust the backrest from A to B.

**Step 2**  
How to go back to initial gear(keep flat)?  
Push forward the backrest until it stops(C-D), then lay it down(E-F).

**Note**

1.Please don't mix up the seat board and backrest, or it will affect the function, even damage to your sofa.

2.If you wrongly use the item as picture, it will reduce the service life.

