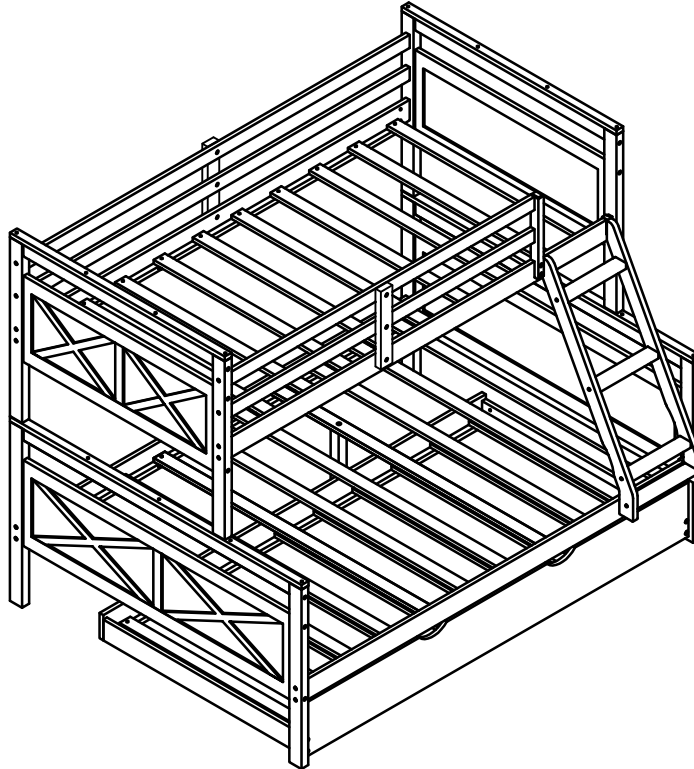


ASSEMBLY INSTRUCTION

SKU CODE: (WF194382/WF194383)

This set is included 2 boxes if don't receive full 2 boxes please contact our customer service team



SAFETY WARNINGS

1. Follow the information on the warning label appearing on the upper bunk end structure and on the carton... Do not remove warning label from bed.
2. Always use the recommended size mattress or mattress support, or both, to help prevent the likelihood of entrapment or falls.
3. Surface of mattress must be at least 5 inches below the upper edge of guard rails.
4. Do not allow children under 6 years to use the upper bunk.
5. Prohibit more than one person on upper bunk.
6. Periodically check and ensure that the guardrail, ladder, and other components are in their proper position, free from damage, and that all connectors are tight.
7. Do not allow horseplay on or under the bed and prohibit jumping on the bed.
8. Always use the ladder for entering and leaving upper bunk.
9. Do not use substitute part. Contact the manufacturer or dealer for replacement part.
10. Use of night light may provide added safety precaution for a child using the upper bunk.
11. If the bunk bed will be placed next to a wall, the guardrail that runs the full length of the bed should be placed against the wall to prevent entrapment between the bed and the wall.
12. Always use guardrail on both long sides of the upper bunk.
13. The use of water or sleep flotation mattresses is prohibited.
14. Keep these instruction for future reference.
15. Strangulation Hazard - Never attach or hang items to any part of the bunk bed that are not designed for use with the bed, for example, but not limited to hooks, belts and jump rores.
16. Trundle : Only use for mattress 6 inch.

PLEASE DO NOT RETURN PRODUCT TO THE STORE

if you have any problem or concerns, please feel free to contact our customer service department. We will reply you as soon as possible.

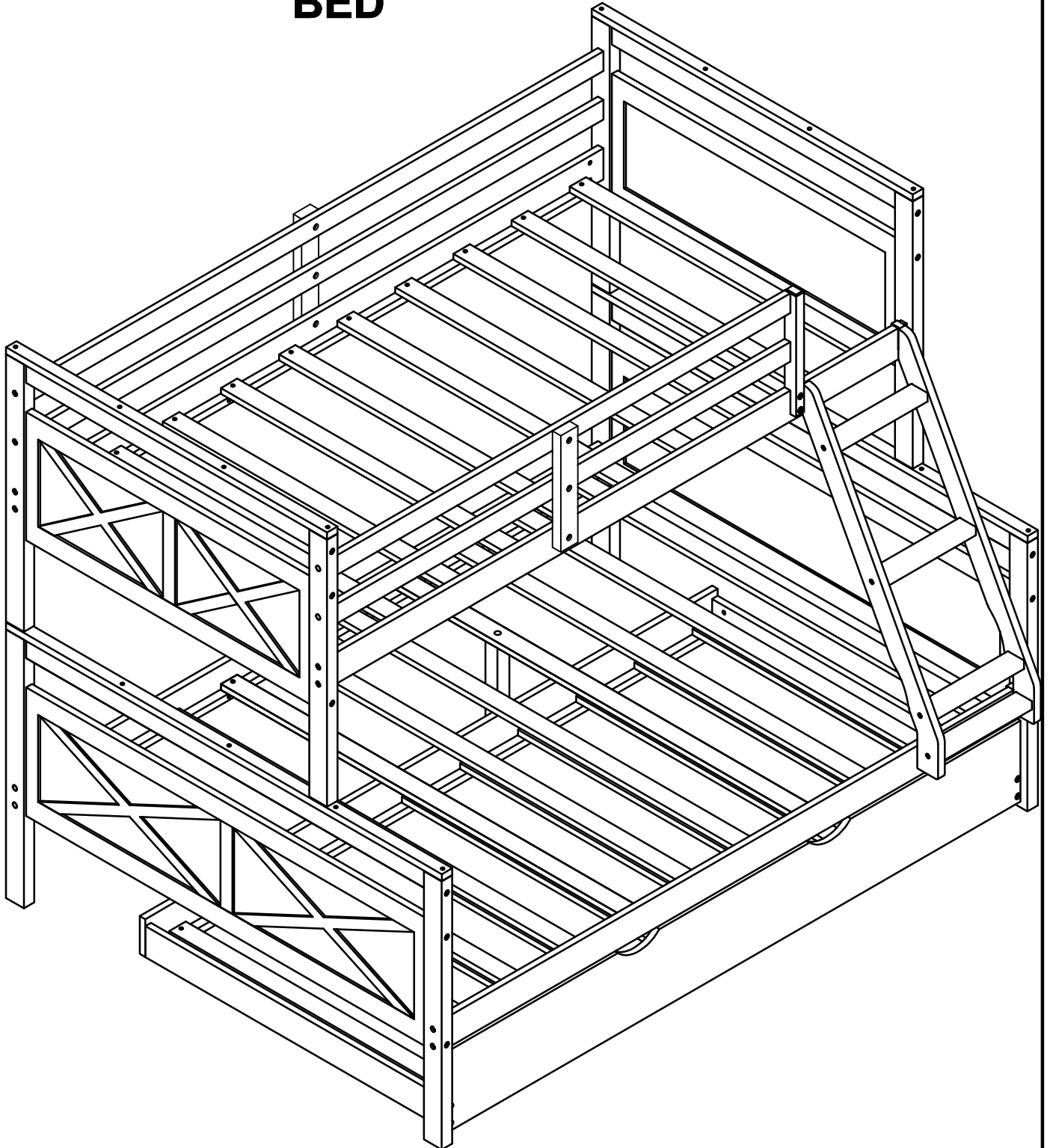


E-Mail: wmsr@comptree.net

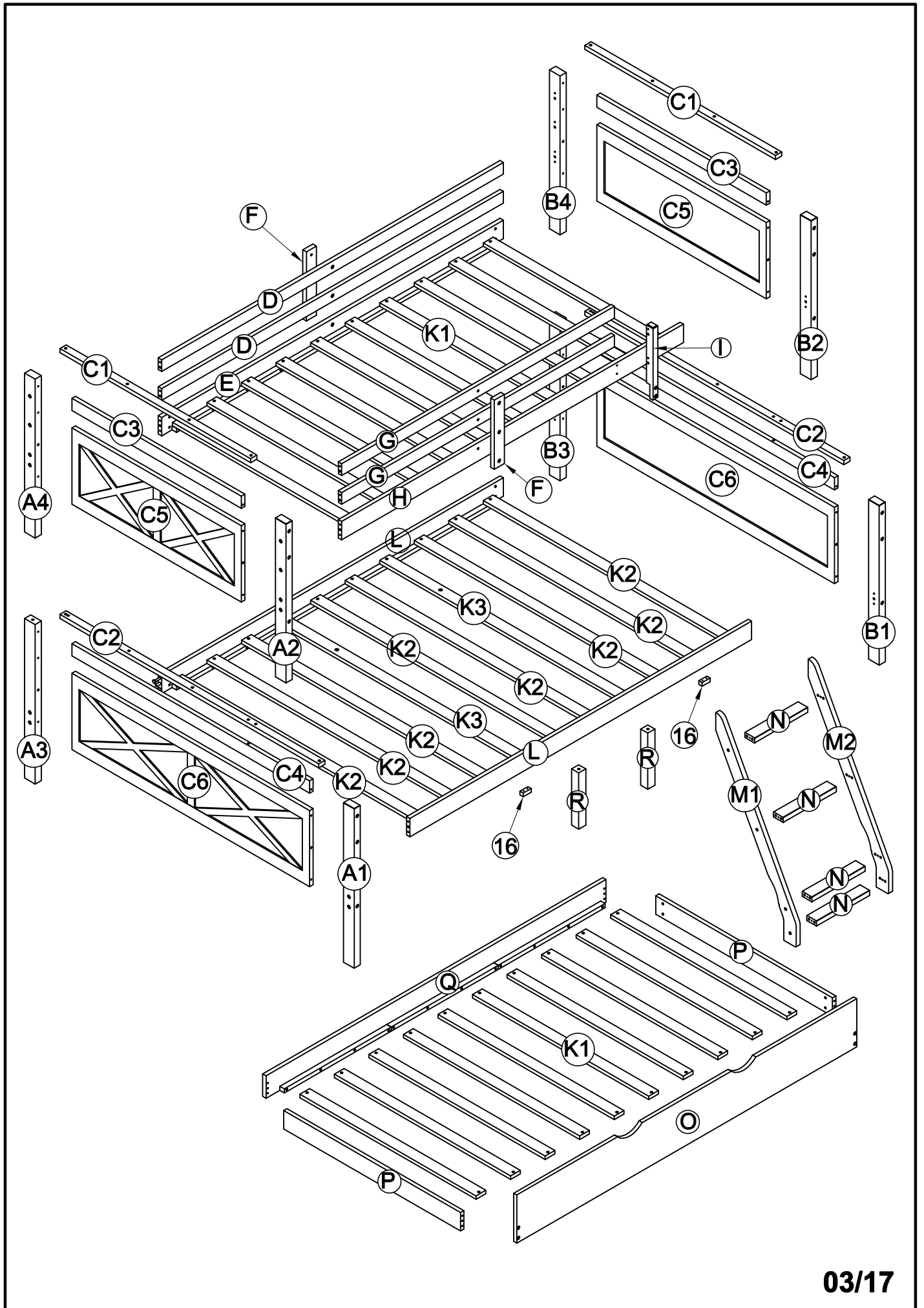
Tel: 626-912-8886 Ext.100

ASSEMBLY INSTRUCTION









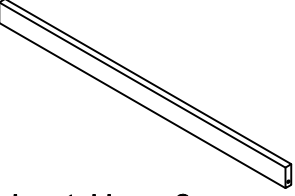
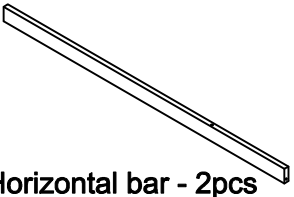
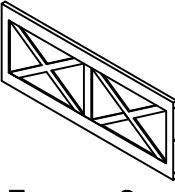
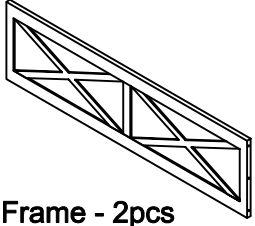
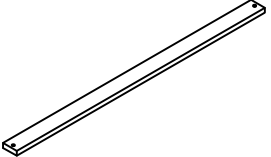
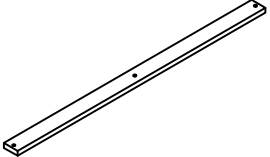




BED



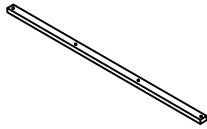
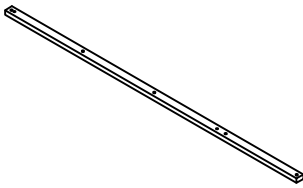
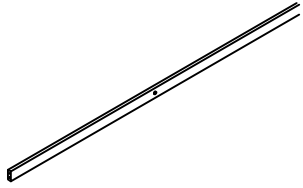
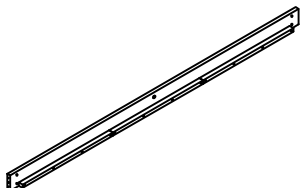

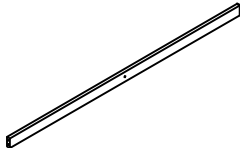
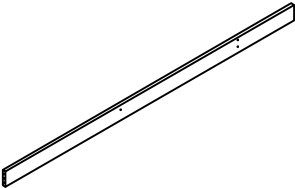
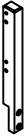
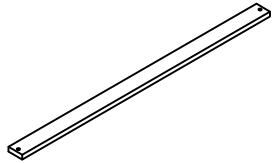
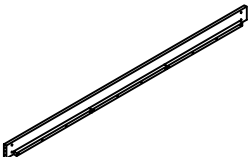
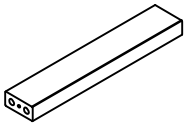
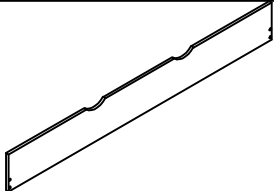
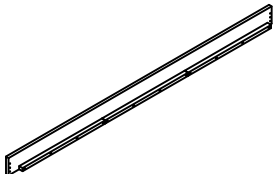
SAFETY WARNINGS



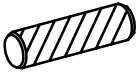

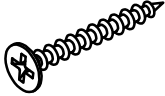




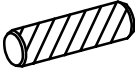


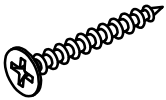

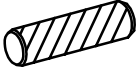
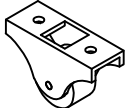
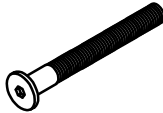
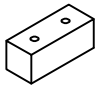
Part List(194382)

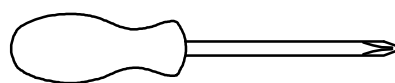
A1  Leg (Front -Left) - 1pcs	A2  Upper Leg (Front -Left) - 1pcs	A3  Leg (Back-Left) - 1pcs
A4  Upper Leg (Back -Left) - 1pcs	B1  Leg (Front-Right) - 1pcs	B2  Upper Leg (Front -Right) - 1pcs
B3  Leg (Back-Right) - 1pcs	B4  Upper Leg (Back -Right) - 1pcs	C3  Horizontal bar - 2pcs
C4  Horizontal bar - 2pcs	C5  Side Frame - 2pcs	C6  Side Frame - 2pcs
K2  Slat - 8psc	K3  Slat - 2psc	M1  Side Ladder - 1psc
M2  Side Ladder - 1psc	P  Side Trundle - 2psc	R  Support Slat- 2psc

Part List(194383)

<p>C1</p>  <p>Horizontal bar - 2pcs</p>	<p>C2</p>  <p>Horizontal bar - 2pcs</p>	<p>D</p>  <p>Back Rail - 2pcs</p>
<p>E</p>  <p>Upper Side Rail(Back) - 1pcs</p>	<p>F</p>  <p>Rail - 2pcs</p>	<p>G</p>  <p>Front Rail - 2pcs</p>
<p>H</p>  <p>Upper Side Rail(Front) - 1pcs</p>	<p>I</p>  <p>Rail - 1pcs</p>	<p>K1</p>  <p>Slat - 20psc</p>
<p>L</p>  <p>Side rail - 2psc</p>	<p>N</p>  <p>Step Ladder - 4psc</p>	<p>O</p>  <p>Front Trundle - 1psc</p>
<p>Q</p>  <p>Front Trundle - 1psc</p>		

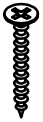
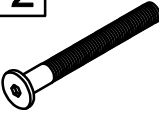
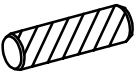
Hardware List

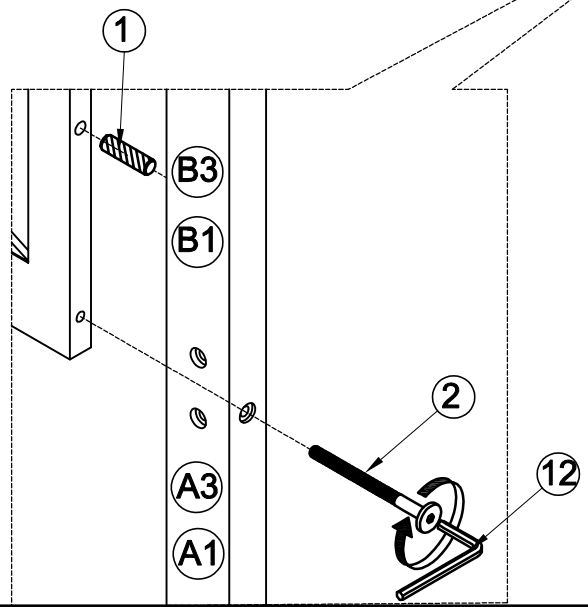
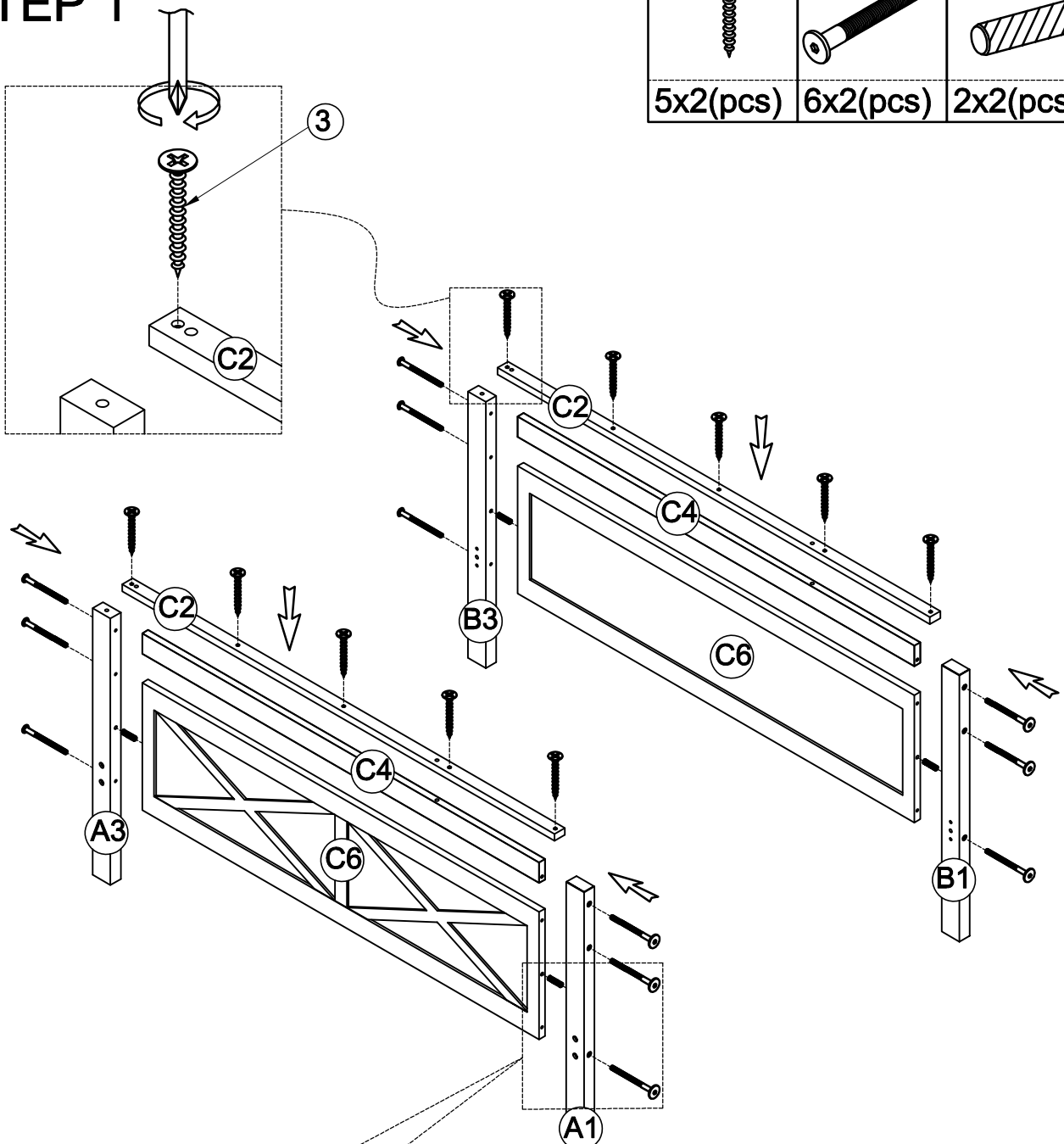
<p>1</p>  <p>Ø10 x 40 mm Wood dowel 40pcs</p>	<p>2</p>  <p>Ø1/4" x 70 mm Hex-Head bolts 32pcs</p>	<p>3</p>  <p>M4 x 30 mm Wood Screws 82pcs</p>
<p>4</p>  <p>Ø1/4" x 80 mm Hex-Head bolts 24pcs</p>	<p>5</p>  <p>Ø1/4" x 13 mm Horizontal-Hole bolts 32pcs</p>	<p>6</p>  <p>Ø1/4" x 25 mm Hex-Head bolts 8pcs</p>
<p>7</p>  <p>Ø1/4" x 15 mm Canopy head though - 8pcs</p>	<p>8</p>  <p>Ø12 x 110 mm Wood dowel 4pcs</p>	<p>9</p>  <p>Ø1/4" x 50 mm Hex-Head bolts 8pcs</p>
<p>10</p>  <p>Bracket 4 pcs</p>	<p>11</p>  <p>M4 x 20 mm Wood Screws 20pcs</p>	<p>12</p>  <p>Allen Key 1pc</p>
<p>13</p>  <p>Ø8 x 30 mm Wheels 4pcs</p>	<p>14</p> 	<p>15</p>  <p>Ø1/4" x 35 mm Hex-Head bolts 2pcs</p>
<p>16</p>  <p>Bottom Rail-2psc</p>		




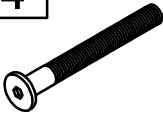
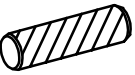
Assembly Tools Required (Not Included)

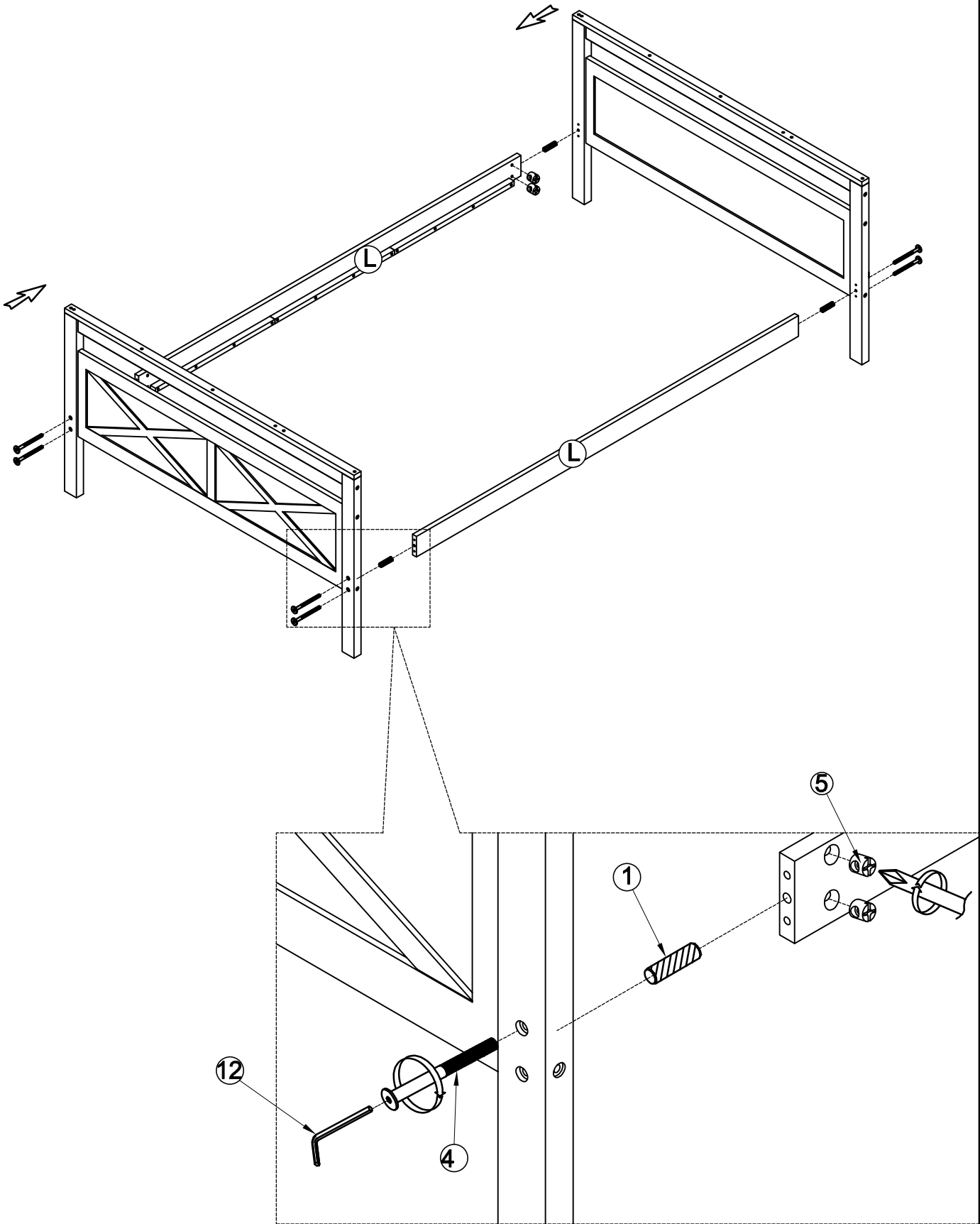
STEP 1

3		2		1	
5x2(pcs)		6x2(pcs)		2x2(pcs)	

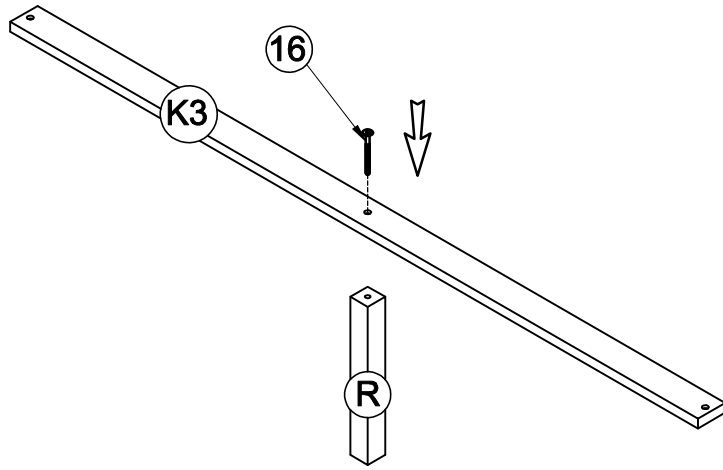


STEP 2

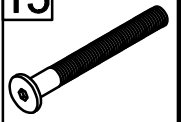
5	4	1
		
8(pcs)	8(pcs)	4(pcs)



STEP 3

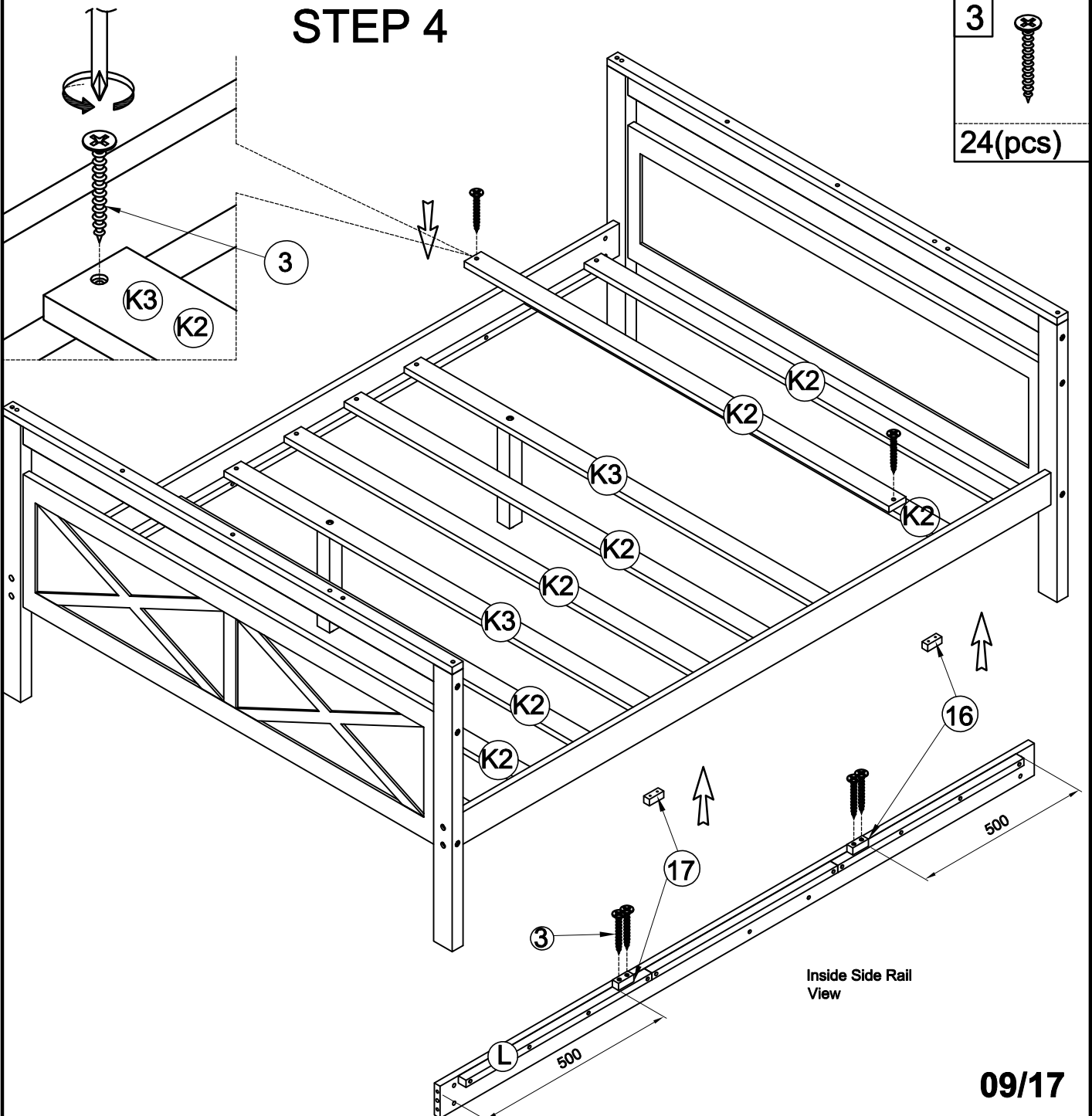


15

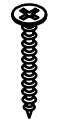


2(pcs)

STEP 4



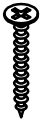
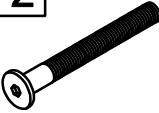
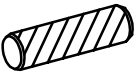
3

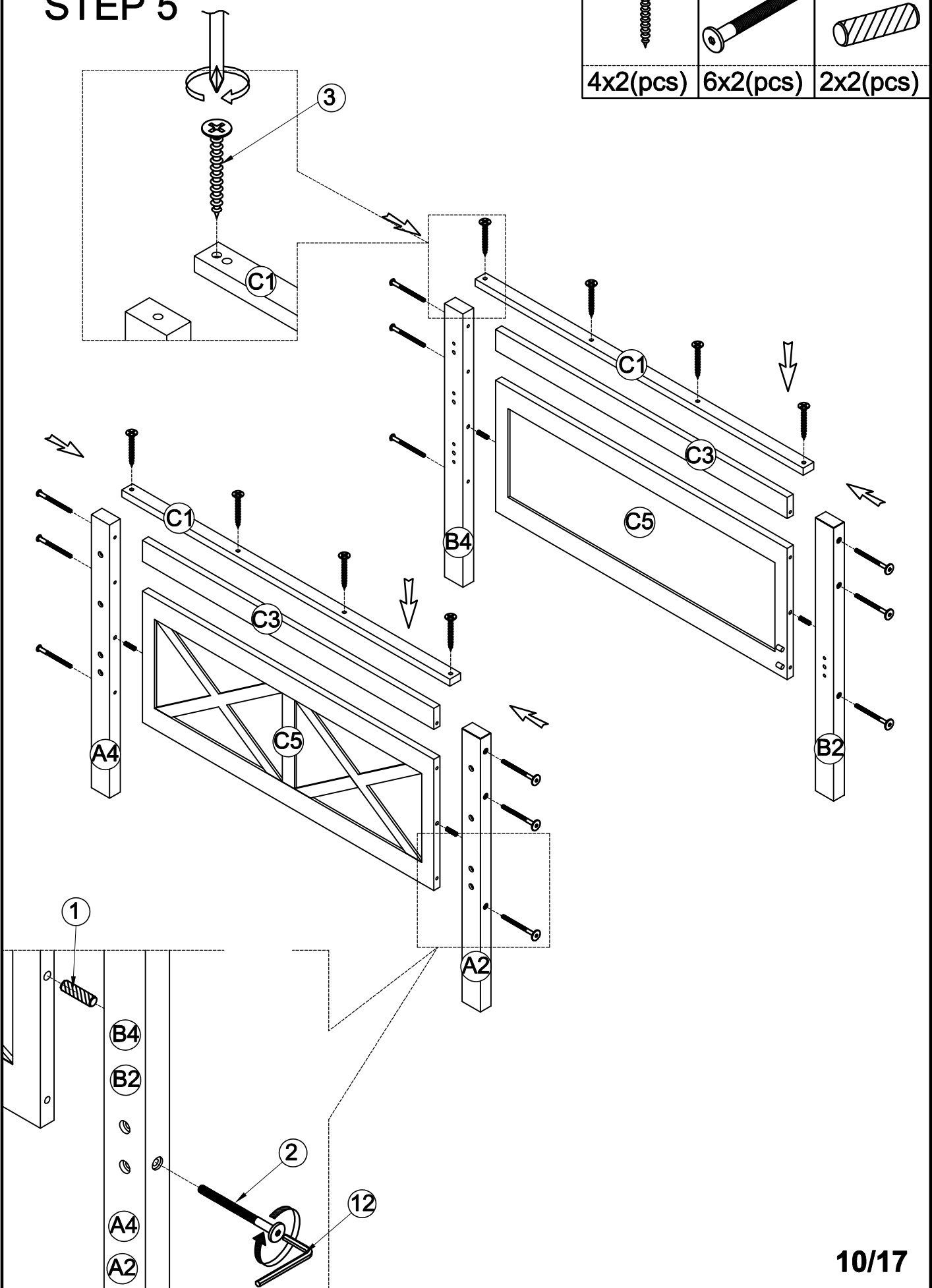


24(pcs)

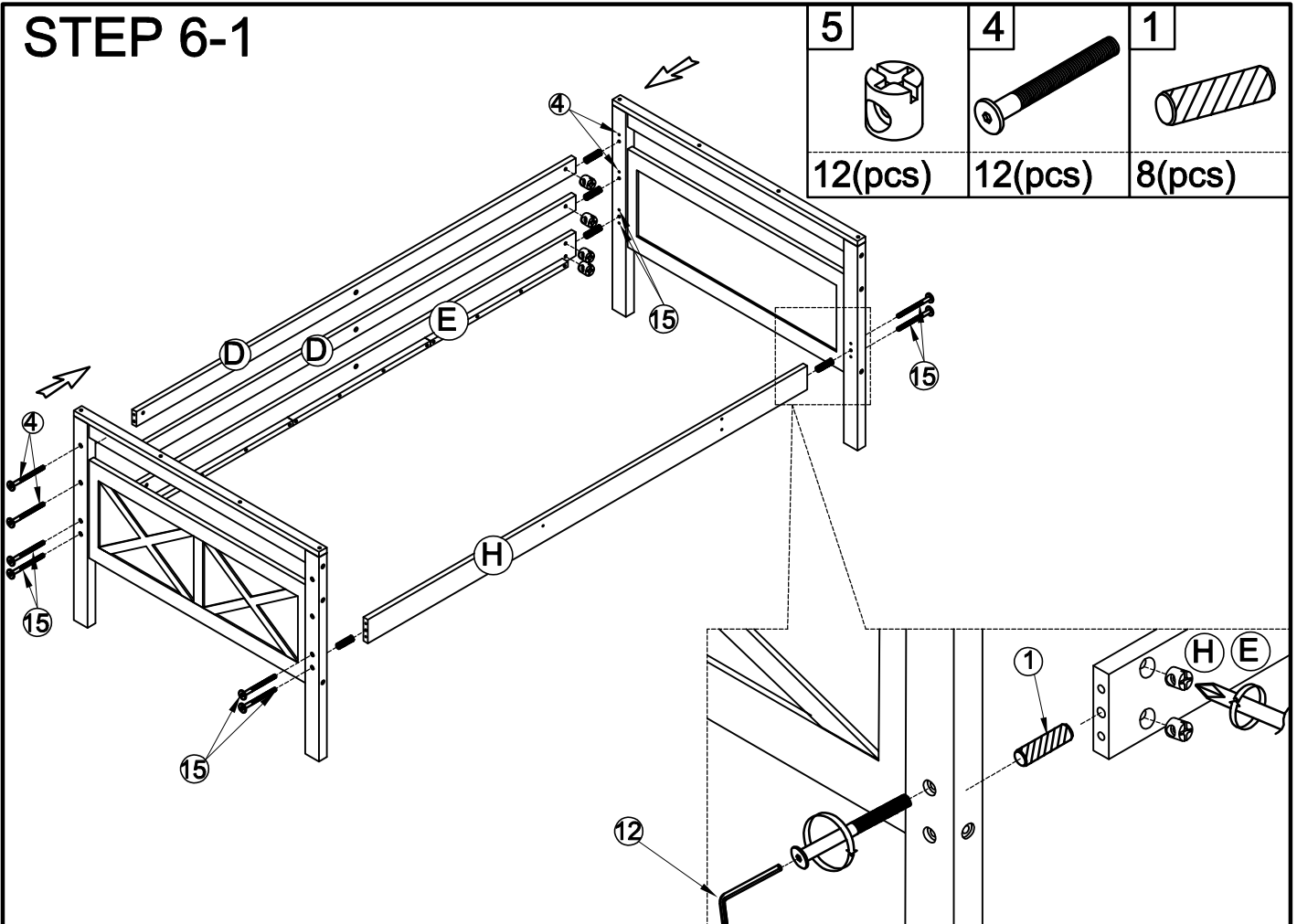
Inside Side Rail View


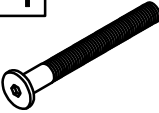
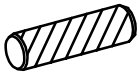
STEP 5

3		2		1	
4x2(pcs)		6x2(pcs)		2x2(pcs)	

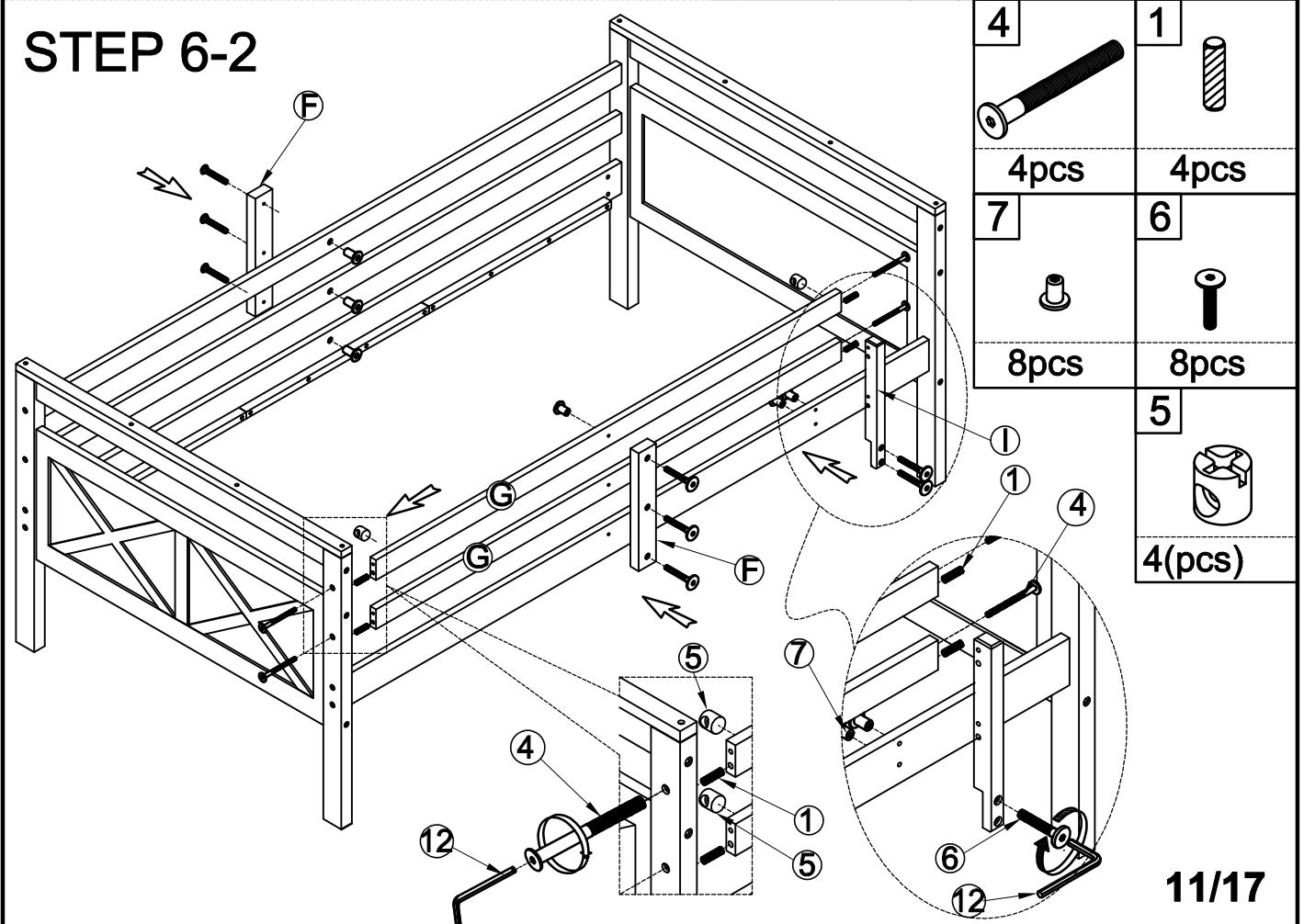


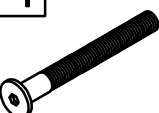




STEP 6-1



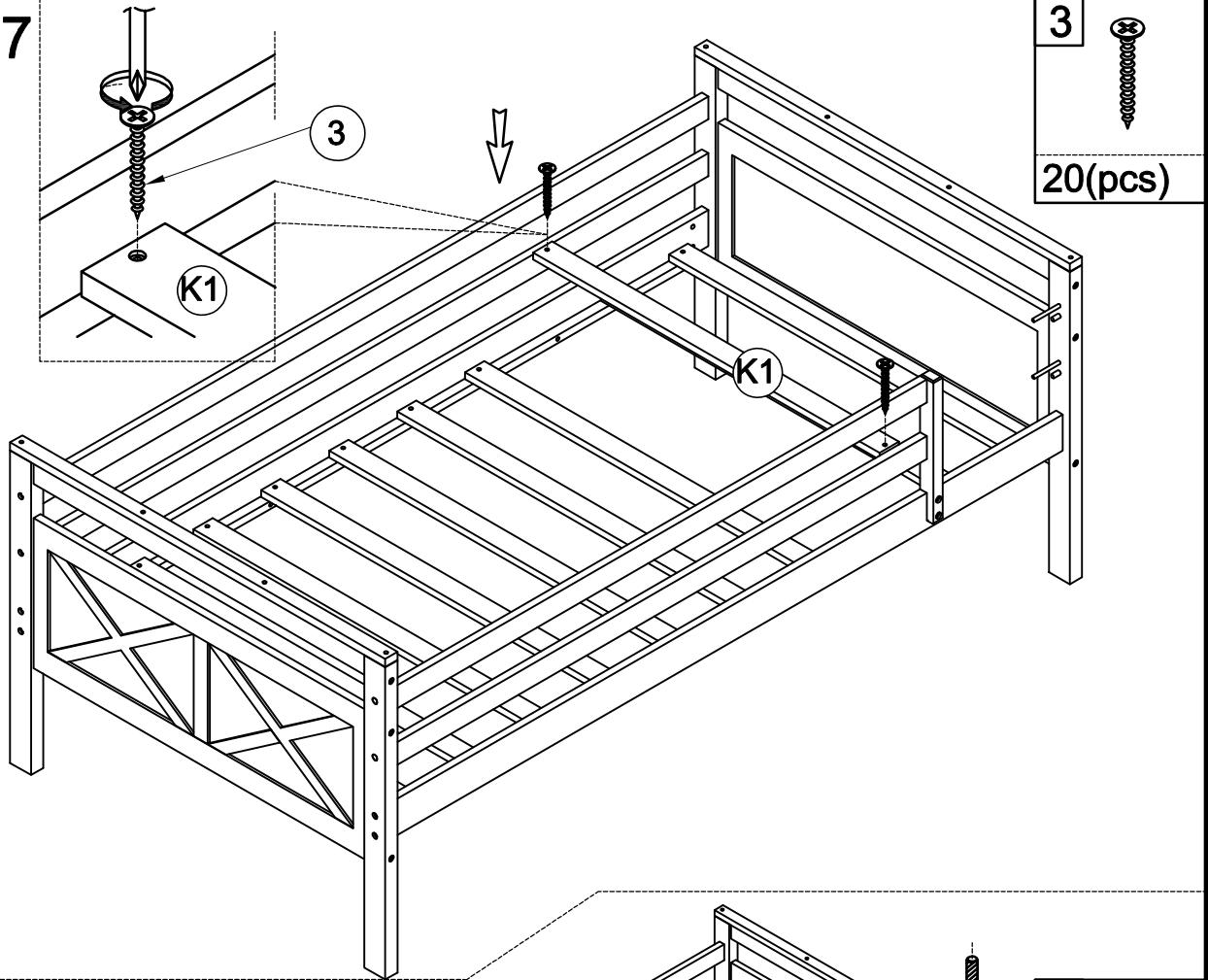
5	4	1
		
12(pcs)	12(pcs)	8(pcs)

STEP 6-2

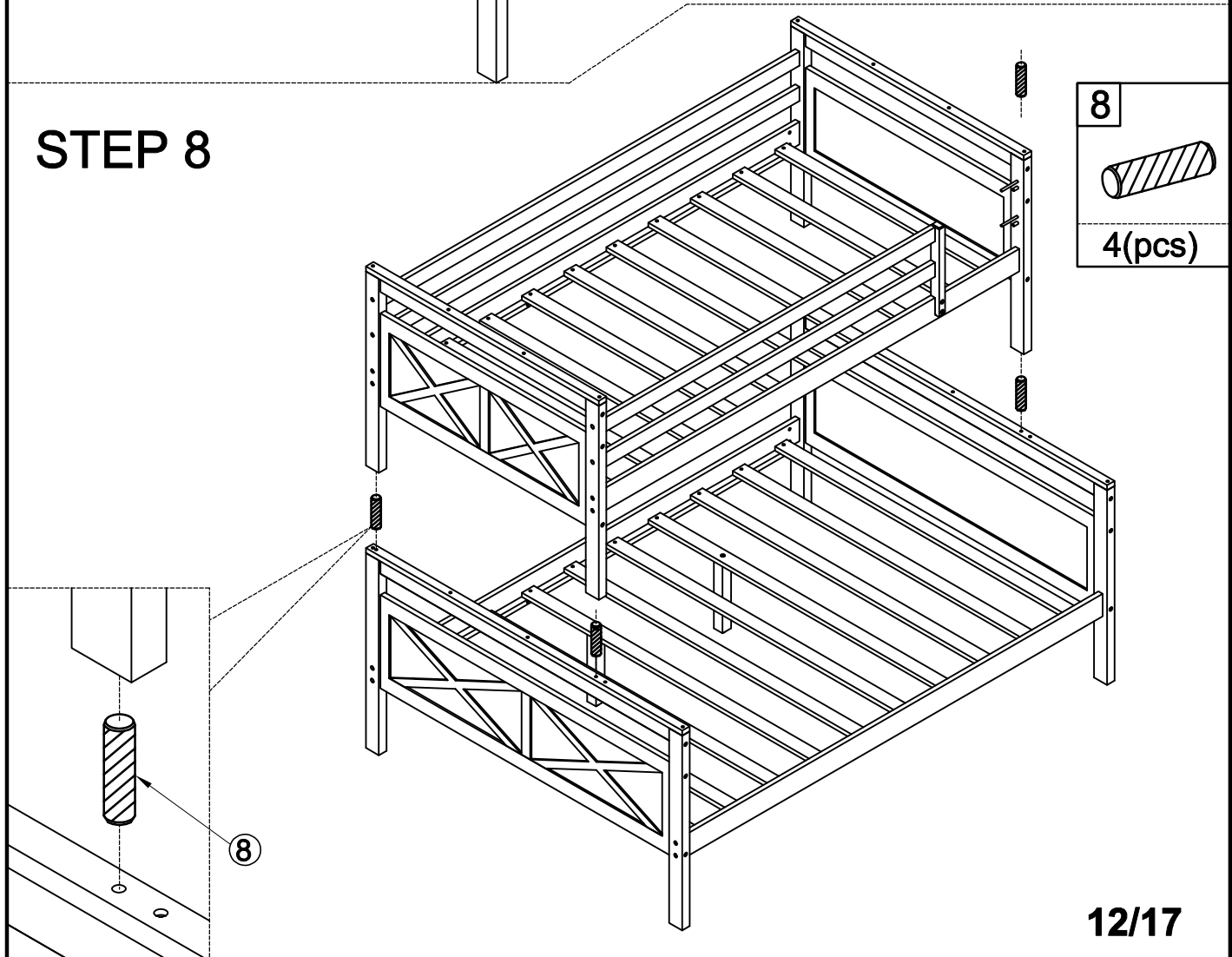


4	1
	
4pcs	4pcs
7	6
	
8pcs	8pcs
5	
	
4(pcs)	

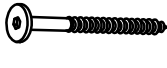
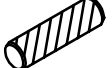
STEP 7

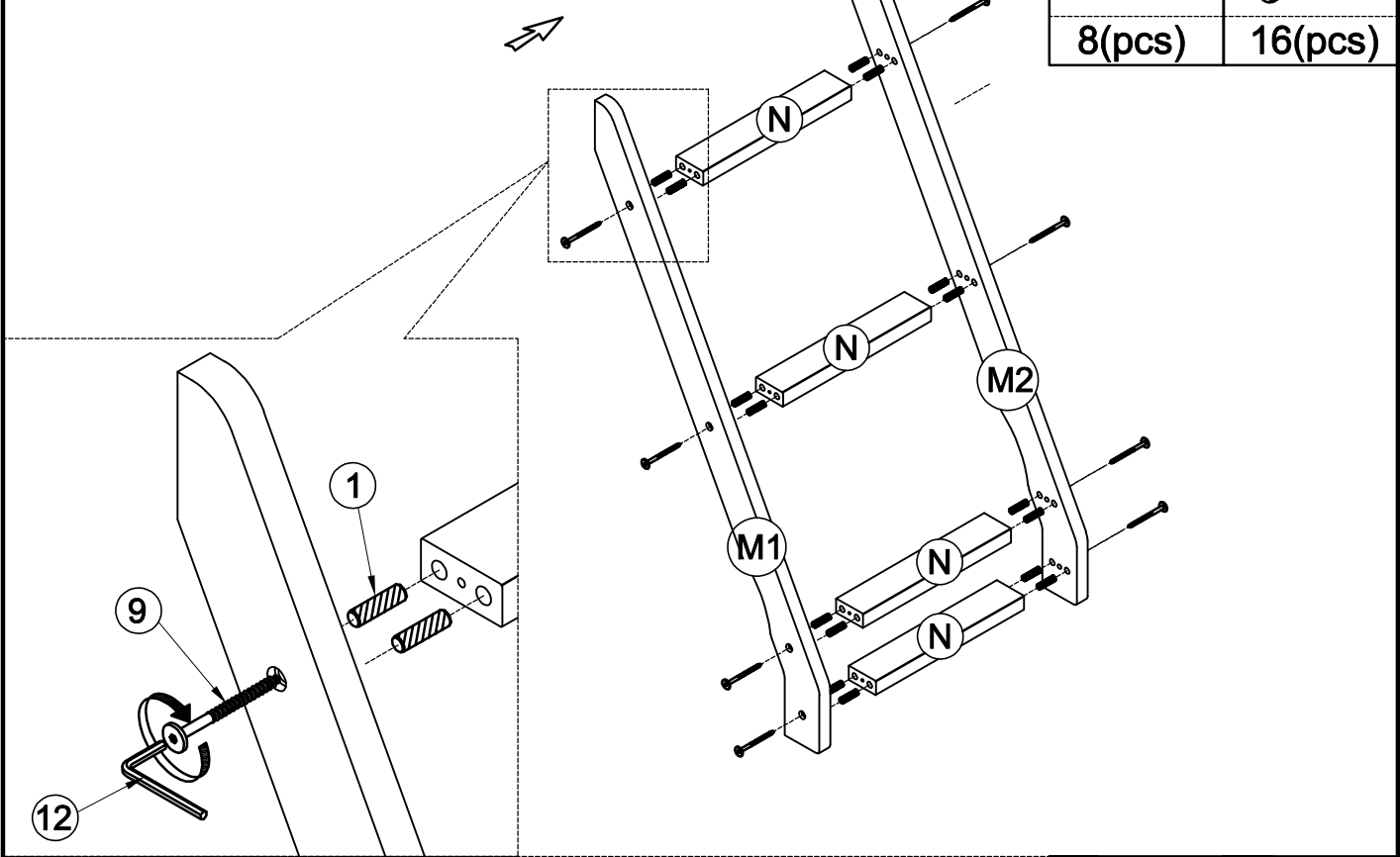


STEP 8





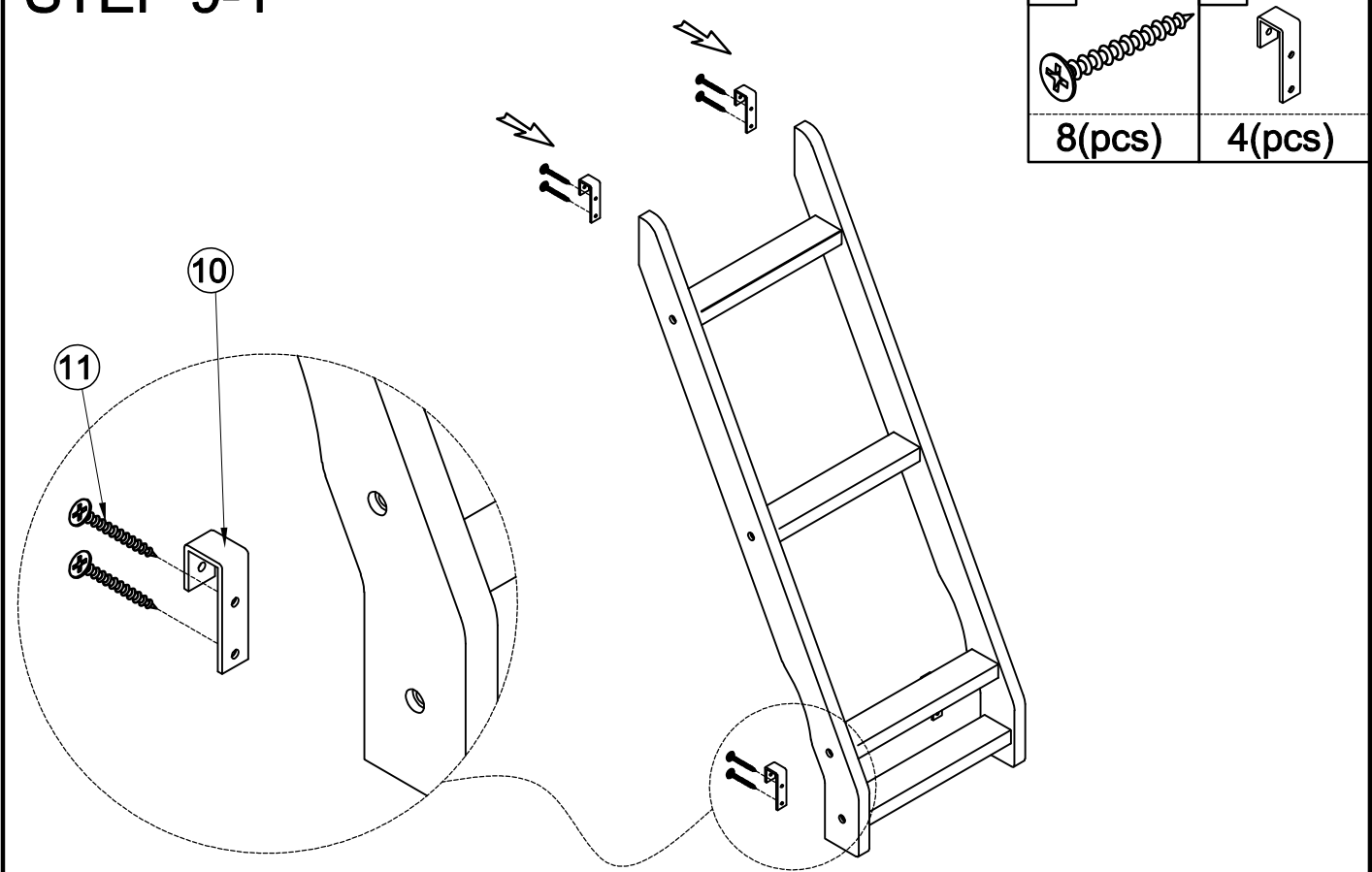
STEP 9-1

9	1
	
8(pcs)	16(pcs)



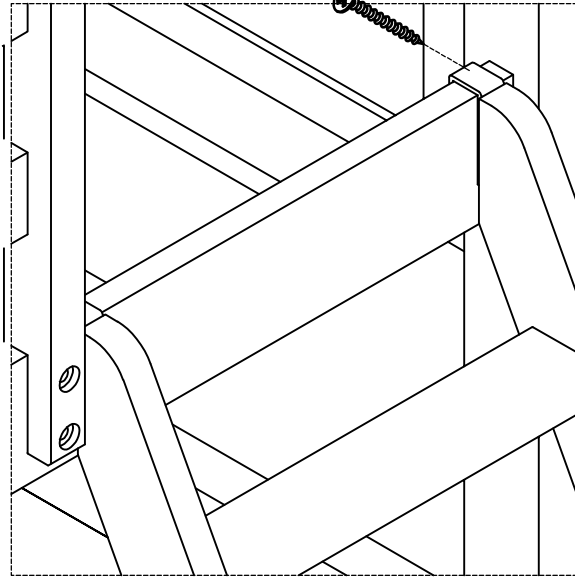
STEP 9-1

11	10
	
8(pcs)	4(pcs)

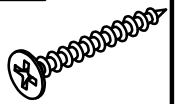


STEP 10

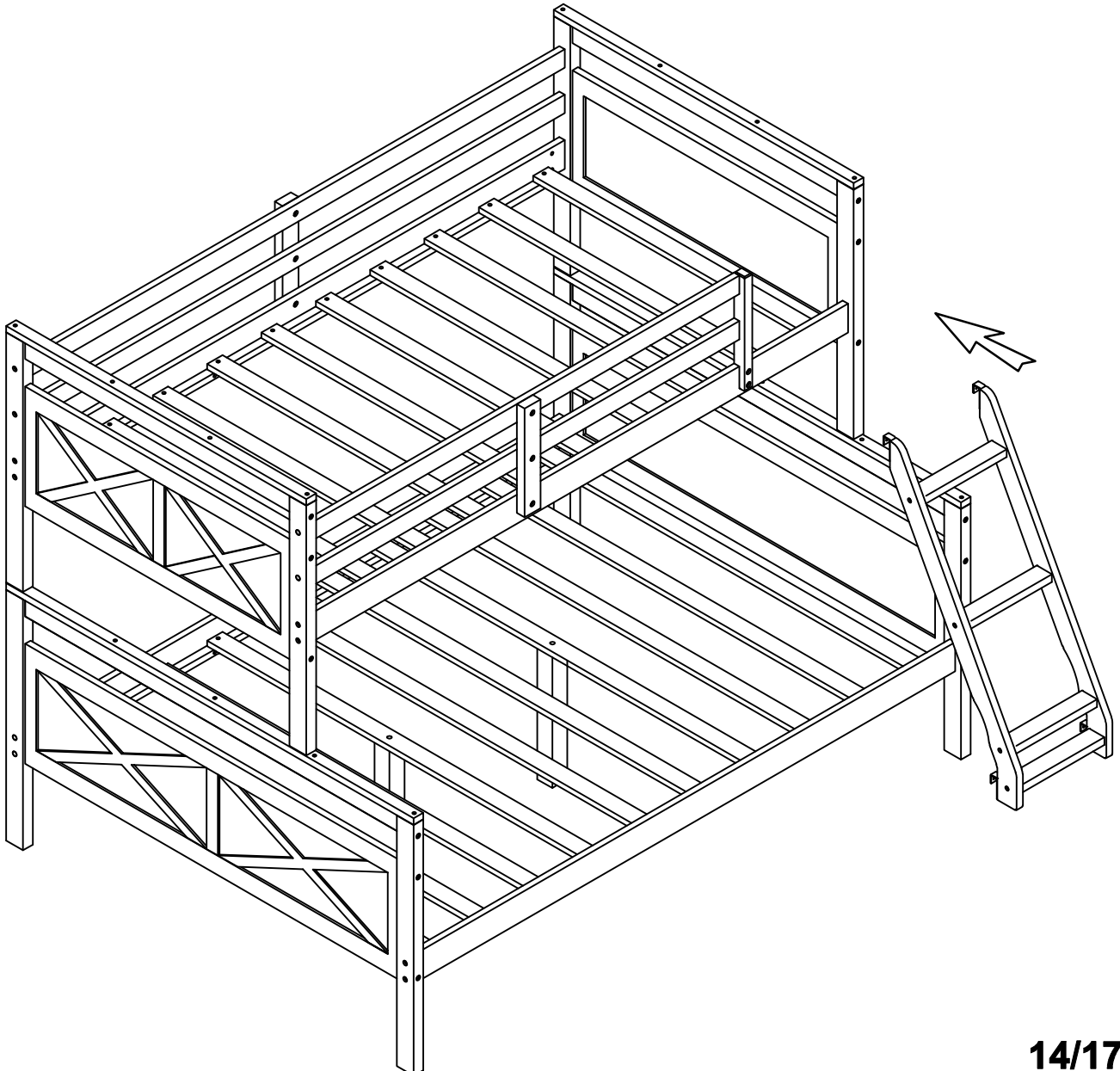
11






11

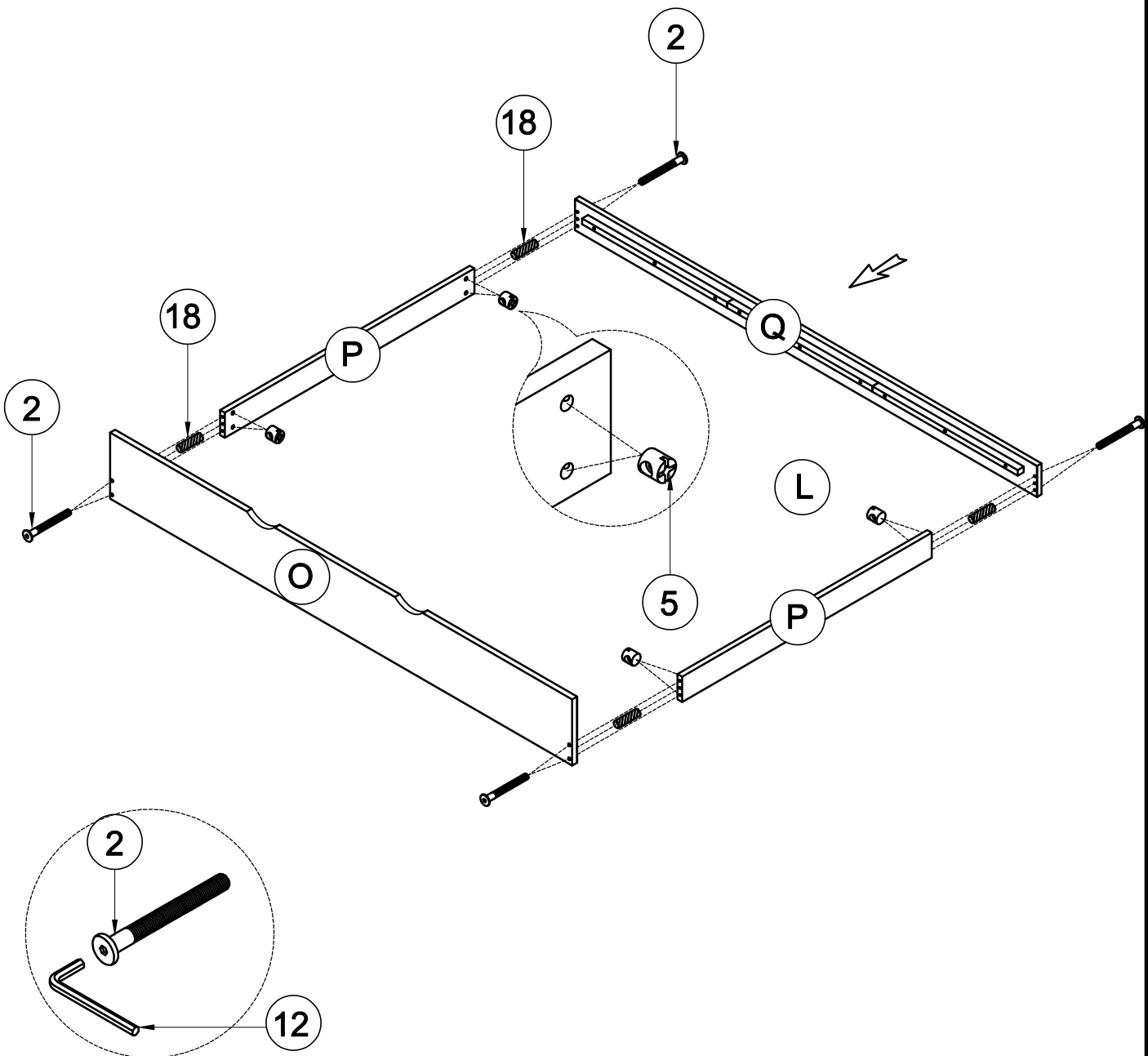


4(pcs)

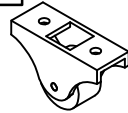



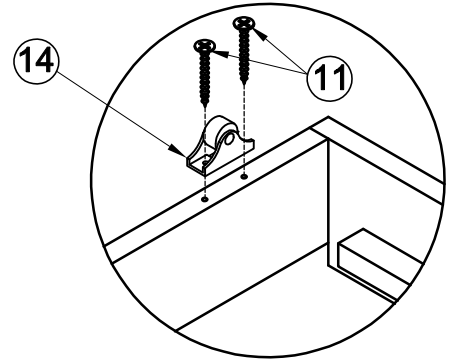
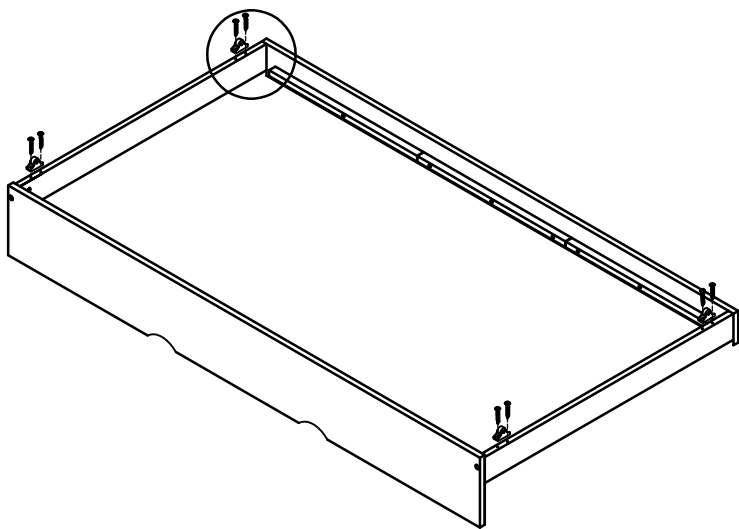
STEP 11-1

2		5		13	
8(pcs)		8(pcs)		4(pcs)	




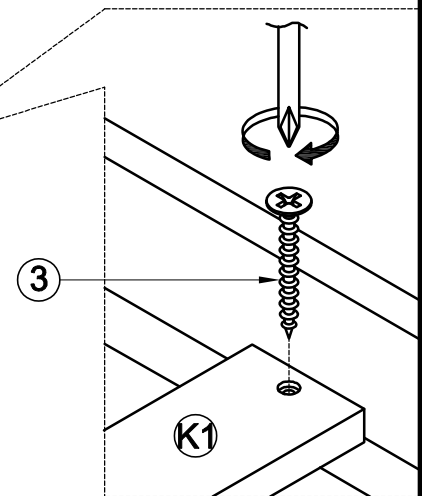
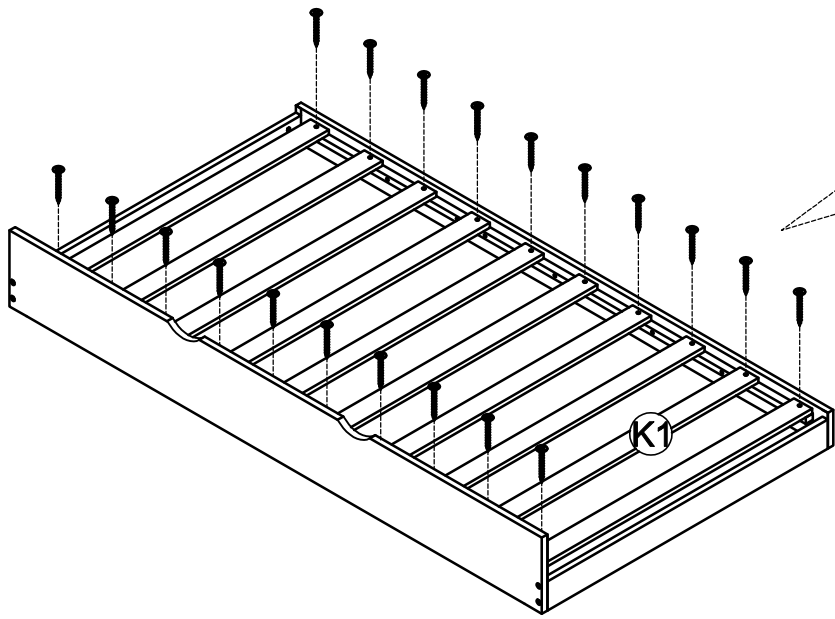
STEP 11-2

14	11
	
4(pcs)	8(pcs)



STEP 11-3

3

20(pcs)



STEP 12

