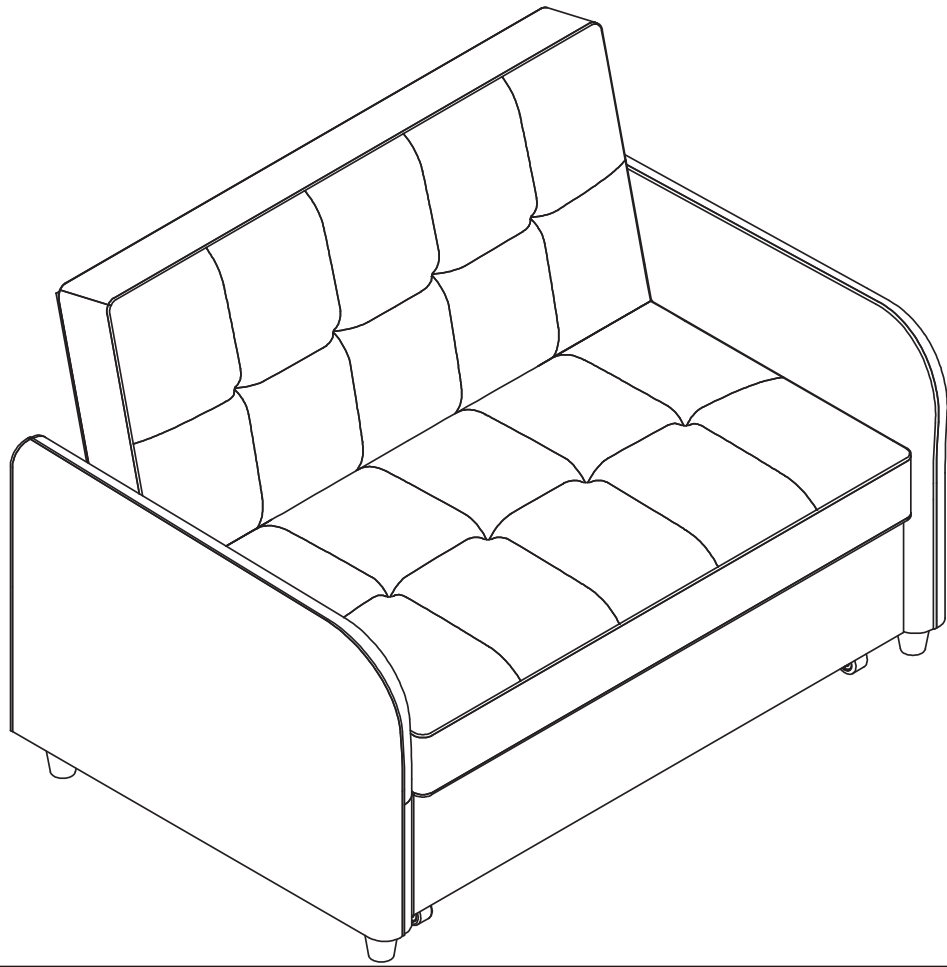
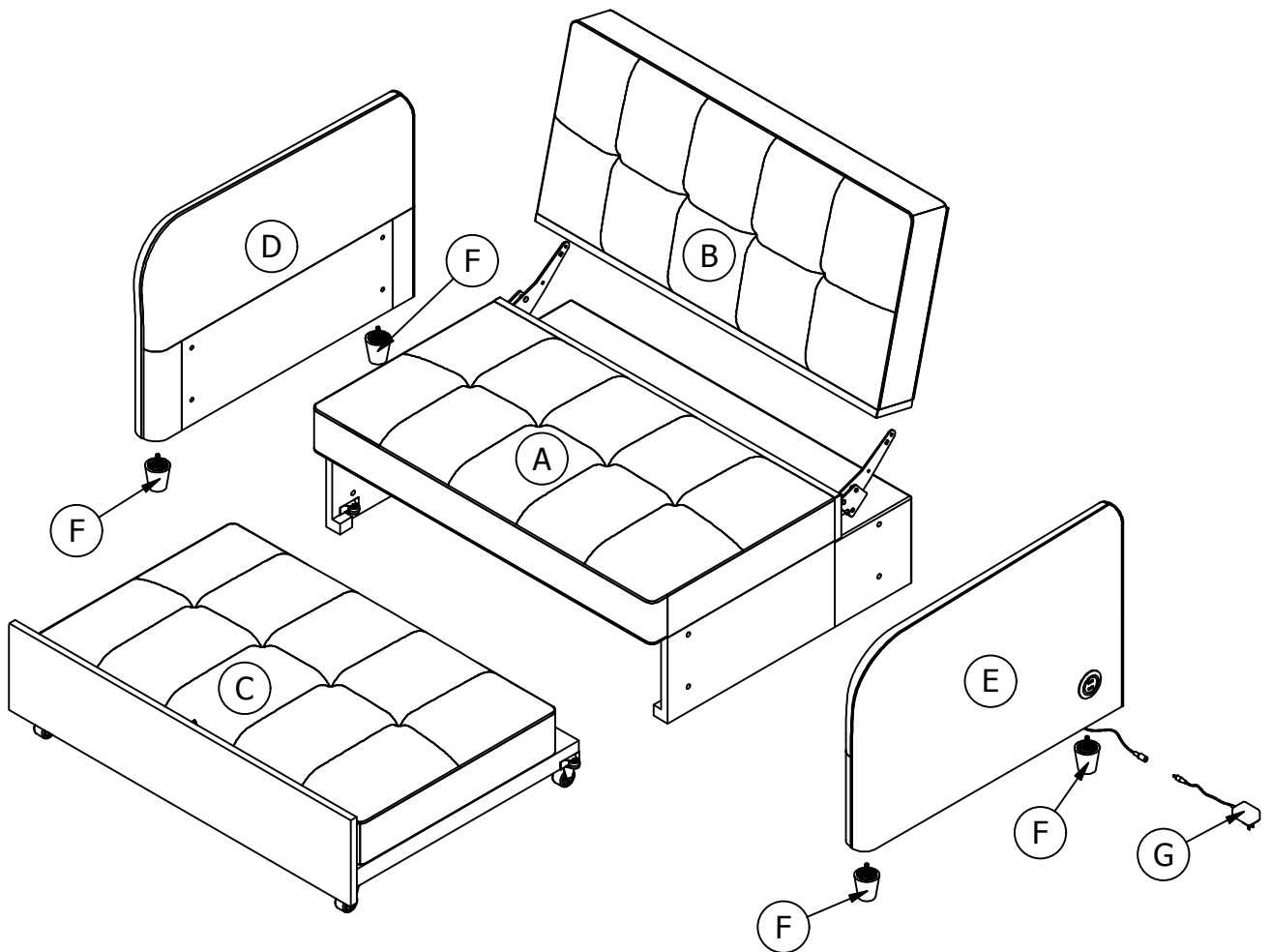


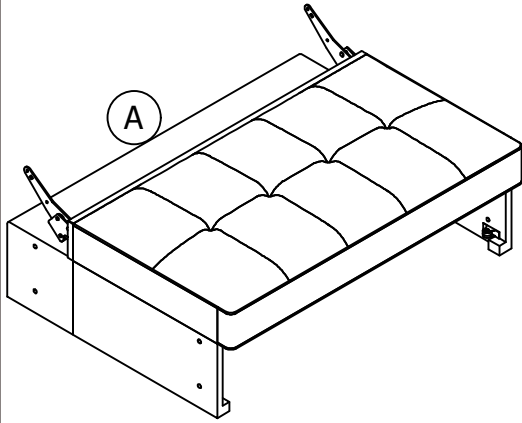
Assembly Instruction



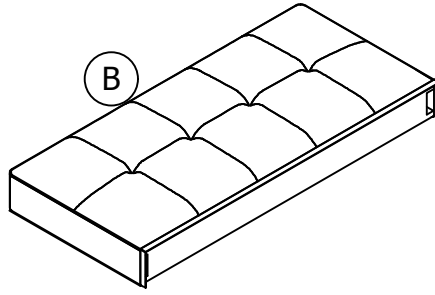
PARTS



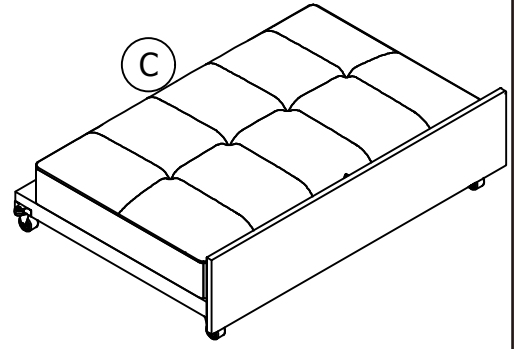
PARTS LIST



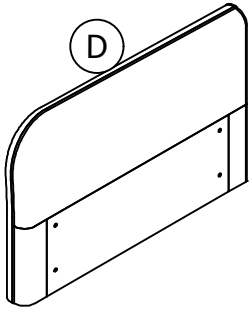
Seat X 1 PC



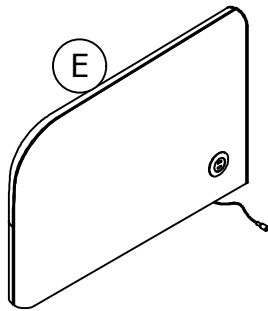
Backrest X 1 PC



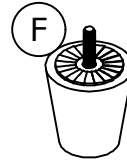
Pullout Seat X 1 PC



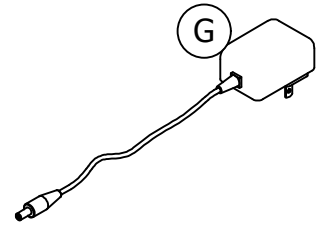
Arm X 1 PC



Arm X 1 PC

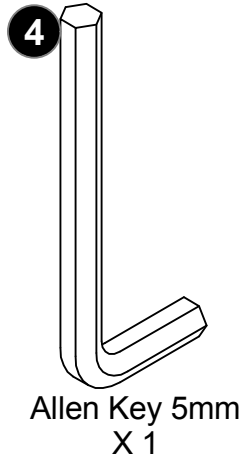
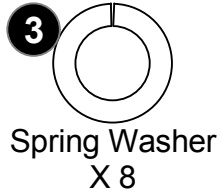
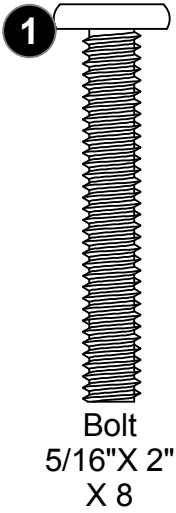


Leg X 4 PCS



Adapter X 1 PC

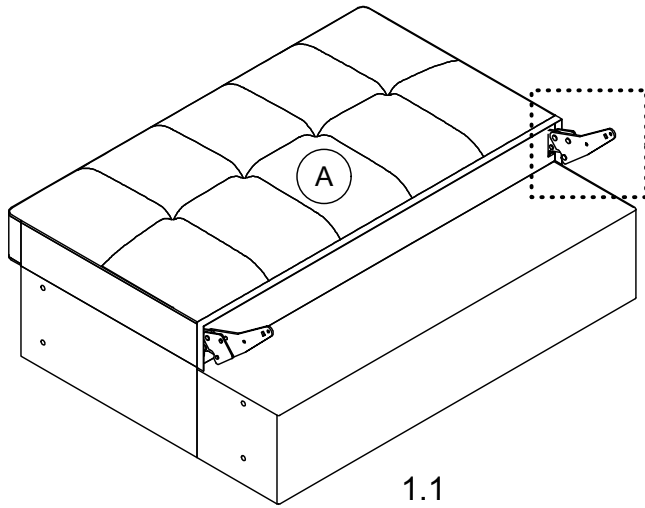
HARDWARE



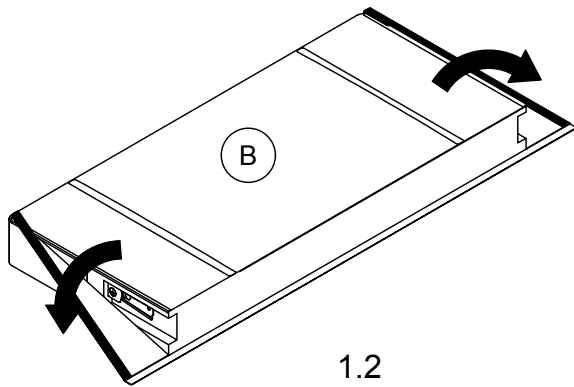
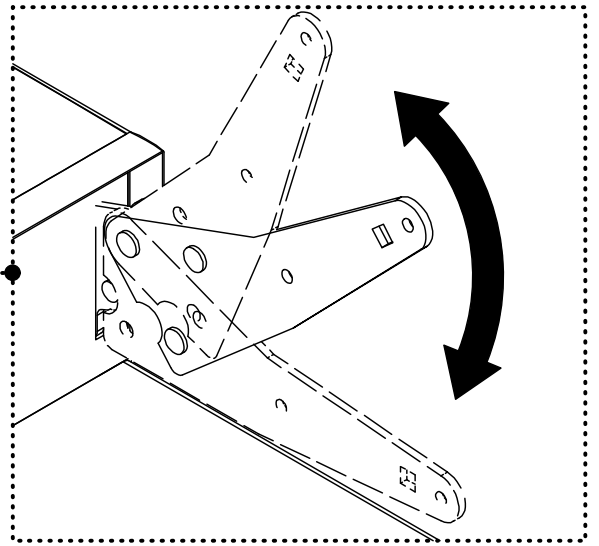
Step 1 :

1.1 Keep two hinges at same angle.

1.2 Open the Velcros at both sides of backrest, as shown.



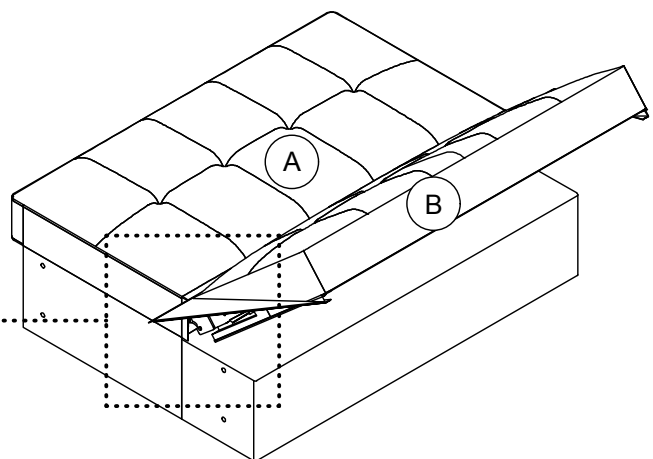
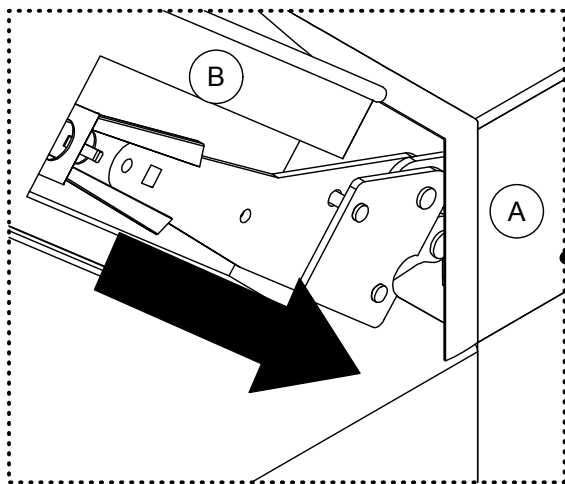
1.1



1.2

Step 2:

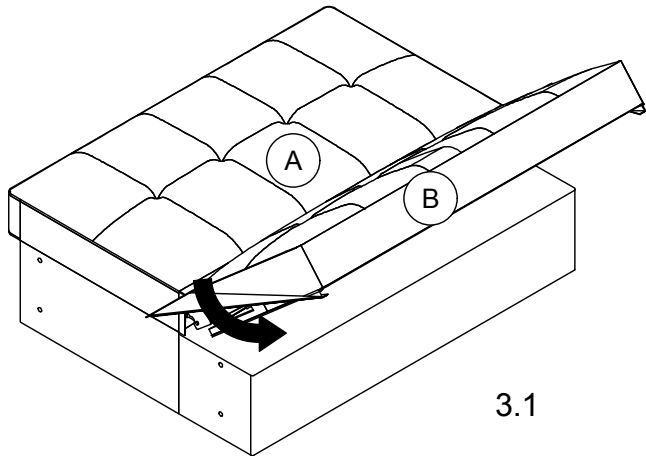
Insert **B** onto **A** until you hear "Click", as shown.



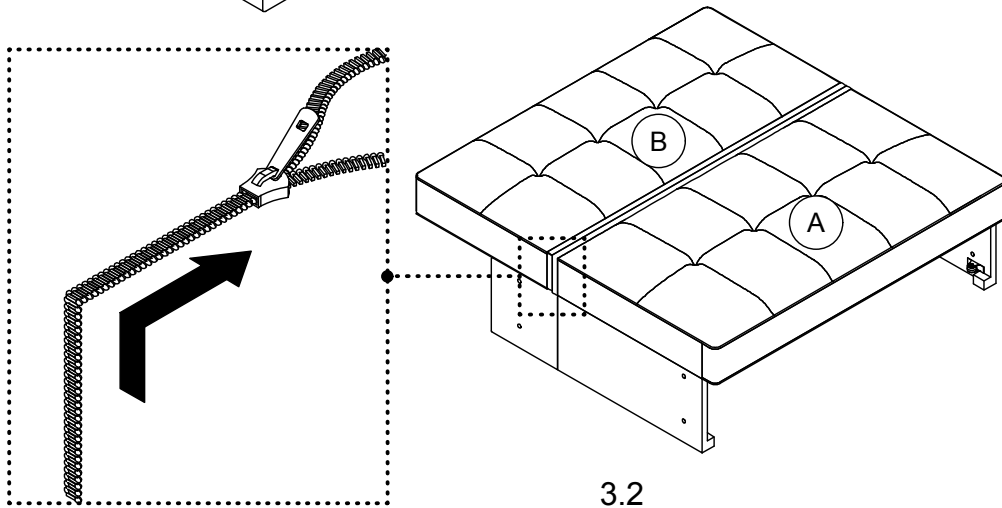
Step 3:

3.1 Stick close the Velcros on both sides of backrest.

3.2 Close the zipper between **A** and **B**, as shown.




3.1

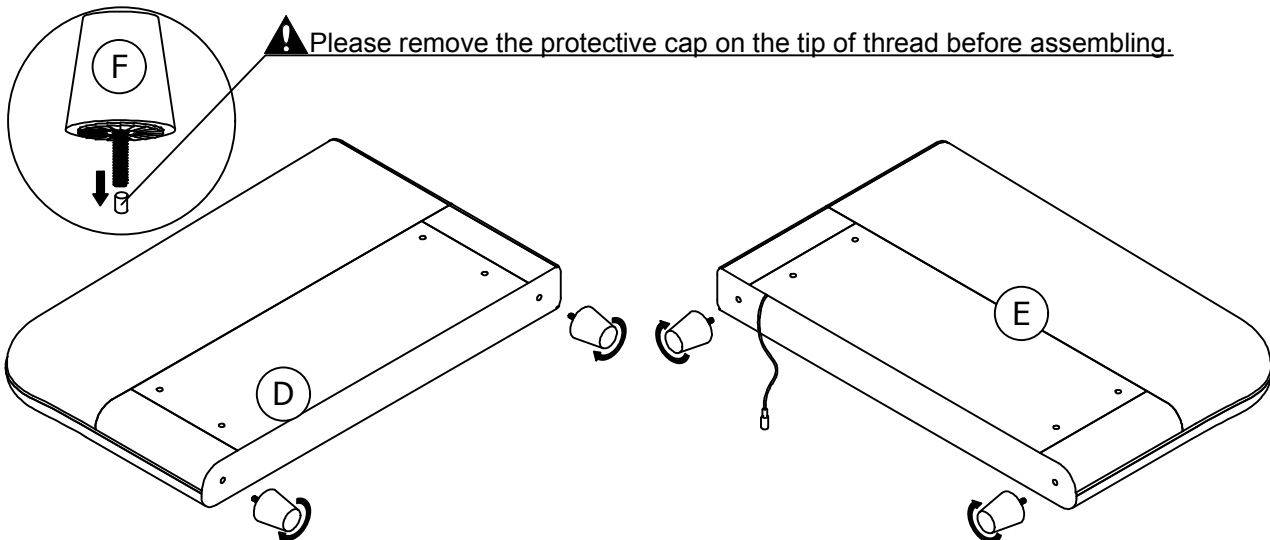


3.2

Step 4:

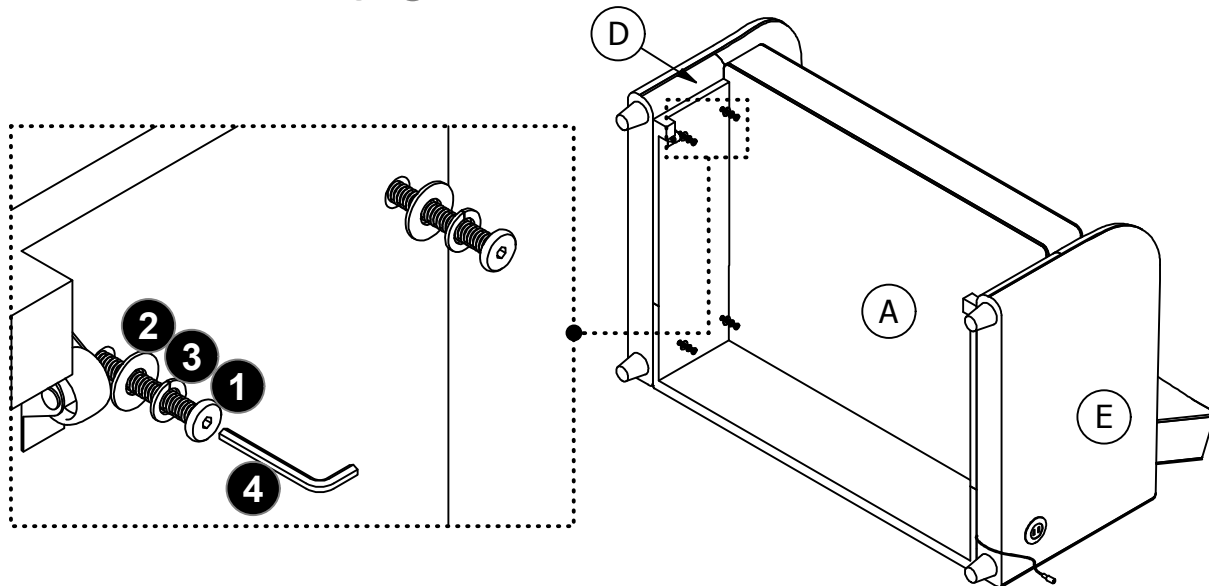
Manually screw **F** x 4 to **D** & **E**, as shown.

 Please remove the protective cap on the tip of thread before assembling.

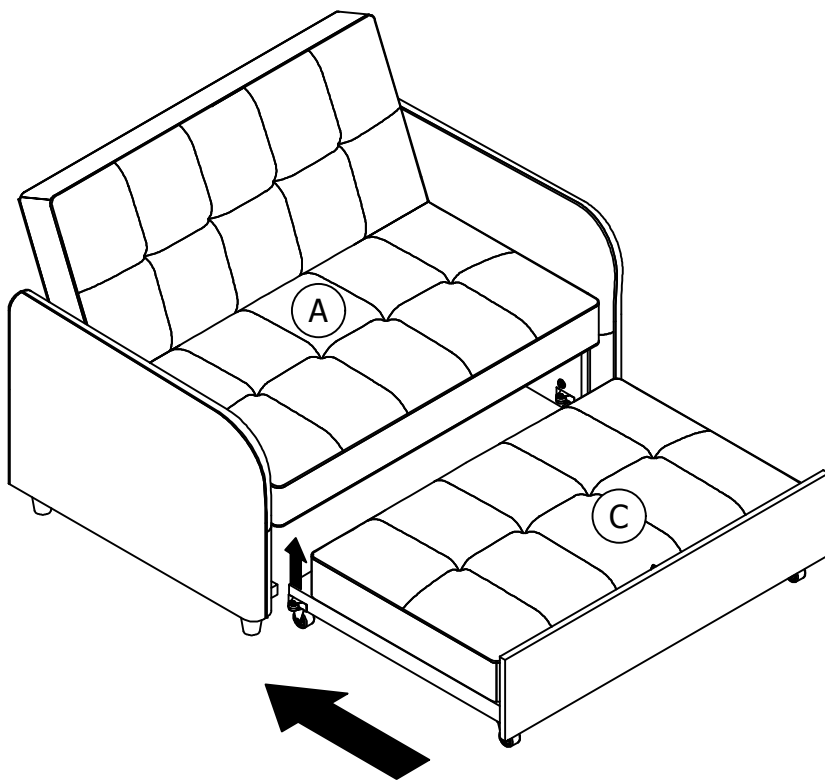


STEP 5:

Attach **D** & **E** to **A** with **1**, **2**, **3**, as shown.

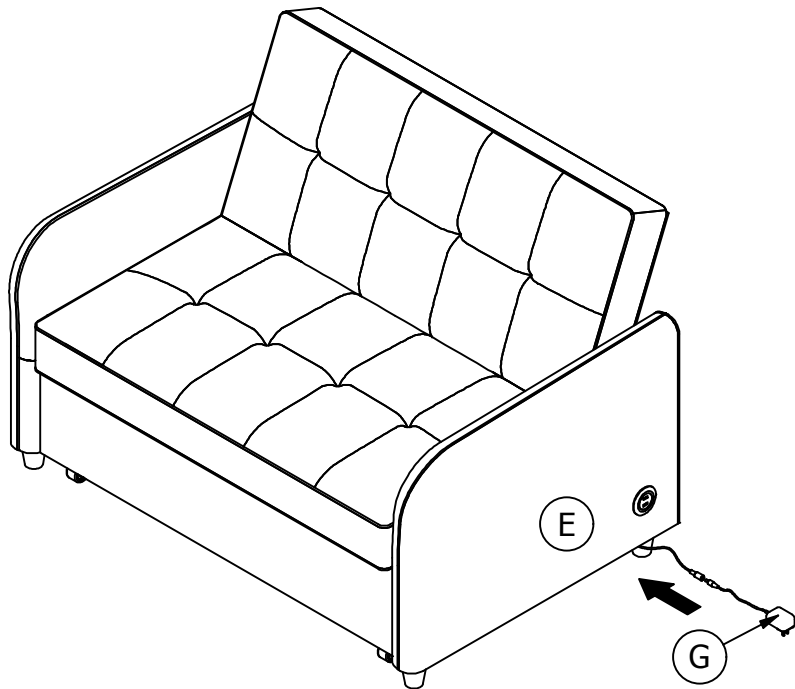


STEP 6: Lift the end of **C**, then move **C** into **A**, as shown.



STEP 7:

Attach **G** to **E**, as shown.



Helpful Hints

- Your futon can transform between a Sofa and a Bed.
- Move your new furniture carefully, with two people lifting and carrying the unit to its new location.
- Your furniture can be disassembled and reassembled to move.
- Clean the product with a soft damp cloth. DO NOT use harsh chemicals or abrasive cleaners.
- Some parts have been pre-assembled for this item. They are illustrated on this page and available for replacement.

