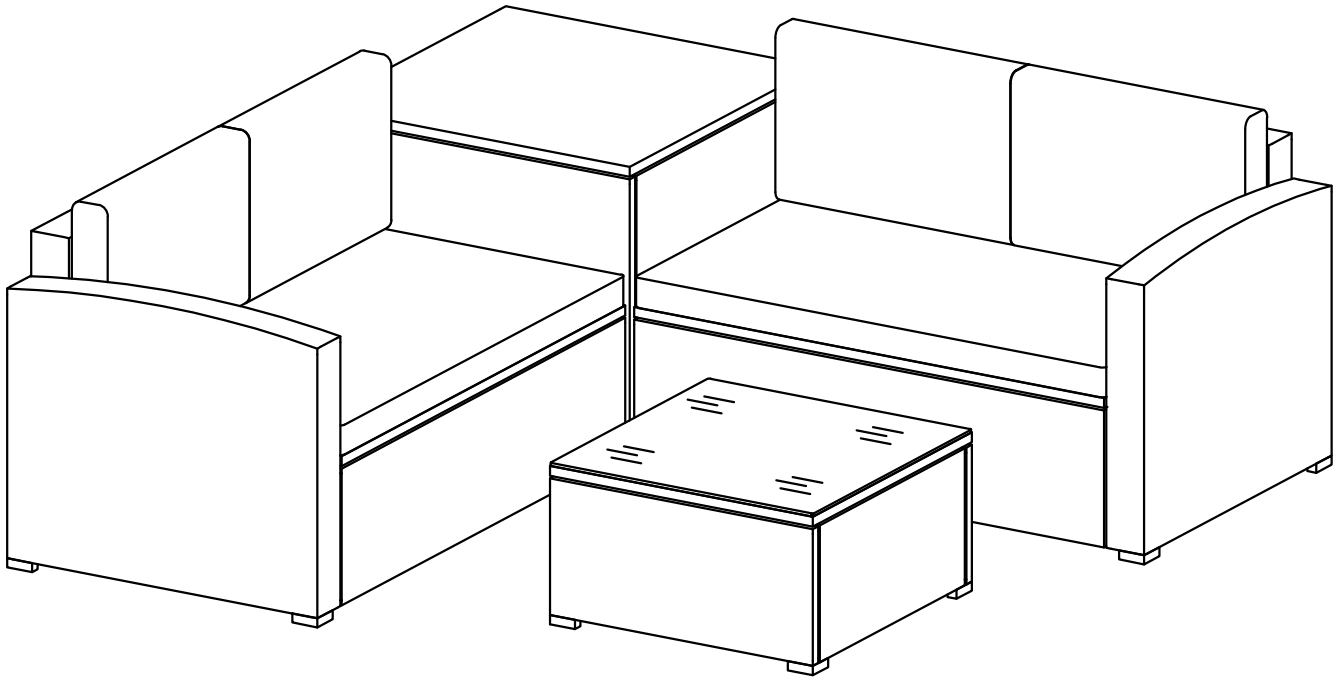


ASSEMBLY INSTRUCTION

BREED SOFA SET



WF191435

WF191437

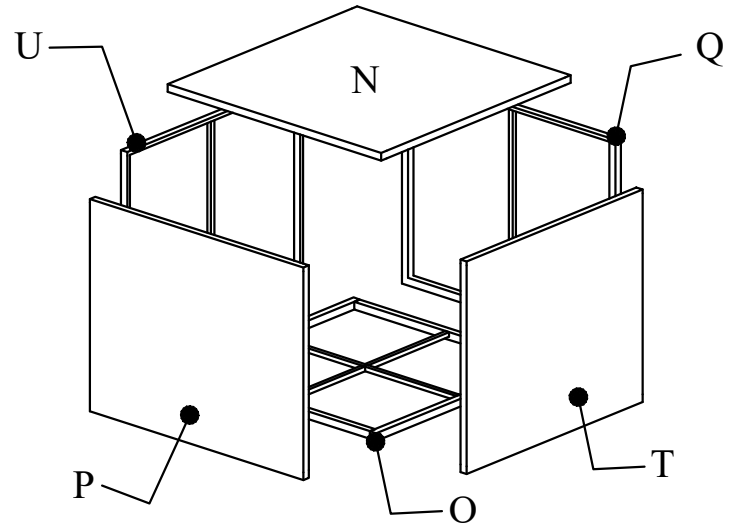
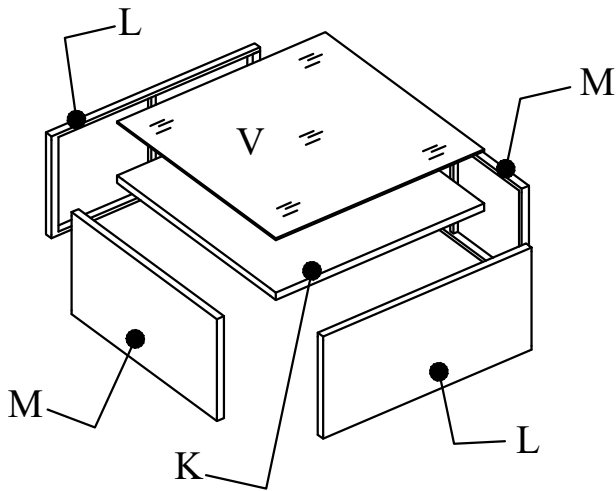
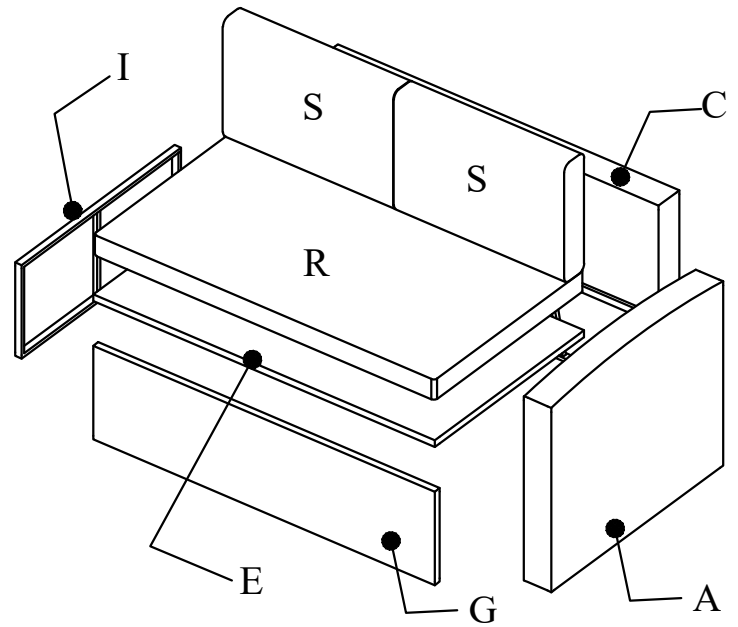
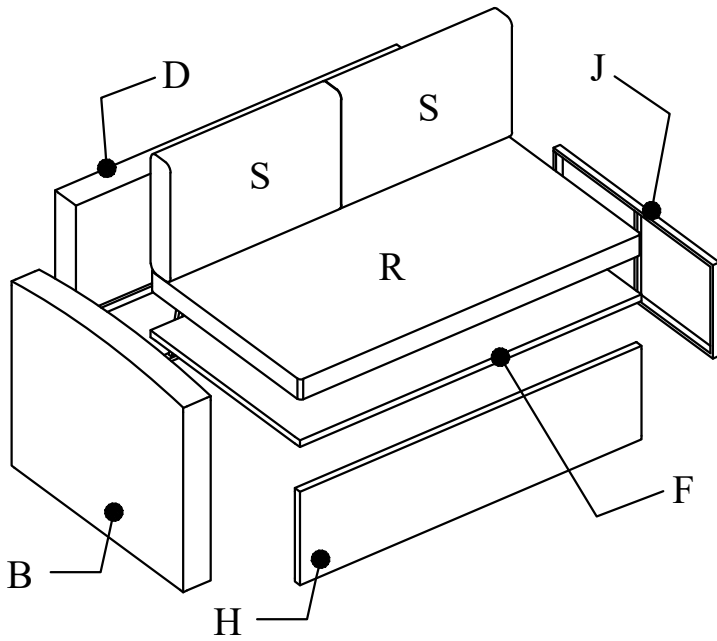
PLEASE DO NOT RETURN PRODUCT TO THE STORE

If you have any problem or concerns, please feel free to contact our customer service department. We will reply you as soon as possible.



E-Mail: csr@merax.com

Tel: 626-912-8886 Ext.100

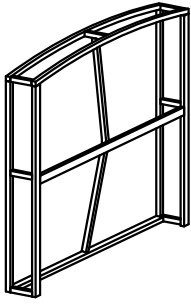


Notice:

1. 50% Tighten before fixing all screws, Allen wrench is recommended instead of an electric drill.
2. Place the item on a flat ground to adjust and make sure it remains stable.
3. Tighten up all screws with tools gradually.
4. If the screws are not aligned with holes during assembly, please loosen all the other screws to 50% and continue the assembly process.
5. If the item is not stable, please loosen all the screws, adjust it on a flat ground and tighten up all screws again.
6. Note : If one or some screws are fully tightened during assembly, chances are the others will not be aligned with holes. In addition, all the holes are designed to be relatively larger to provide more space for the adjustment of the screws.

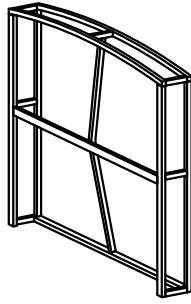
Part List

A



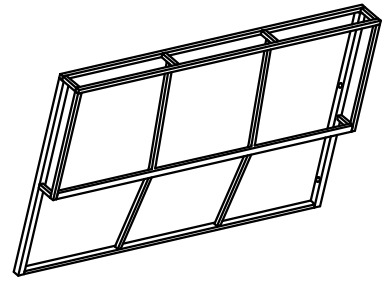
Left Frame (1pc)

B



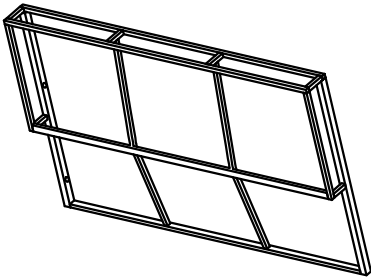
Right Frame (1pc)

C



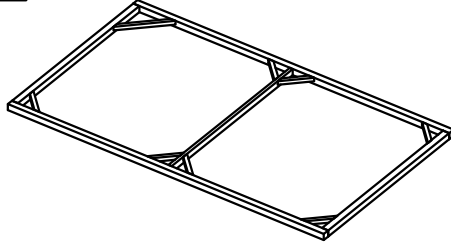
Bench Left Back Frame (1pc)

D



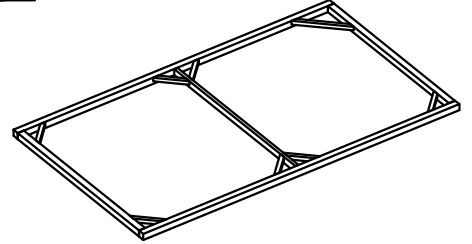
Bench Right Back Frame (1pc)

E



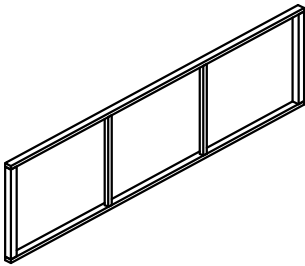
Bench Left Seat Frame (1pc)

F



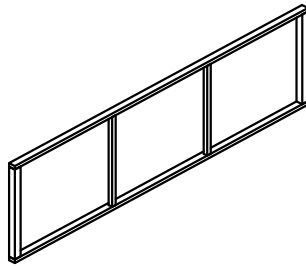
Bench Right Seat Frame (1pc)

G



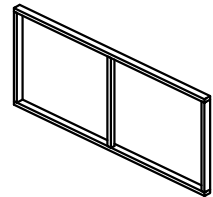
Bench Left Front Frame (1pc)

H



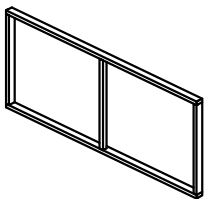
Bench Right Front Frame (1pc)

I



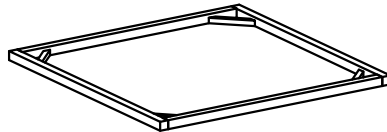
Bench Left Side Frame (1pc)

J



Bench Right Side Frame (1pc)

K



Top Table (1pc)

L

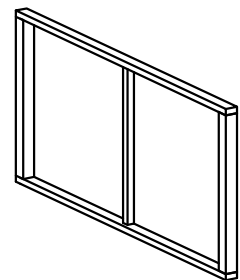


Table Front Frame (2pcs)

M

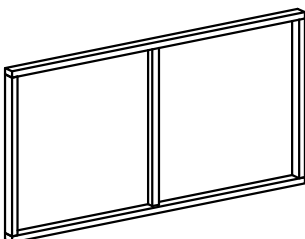
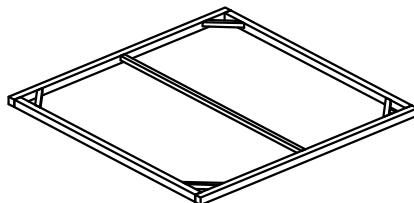


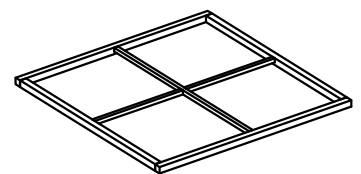
Table Side Frame (2pcs)

N



Top box (1pc)

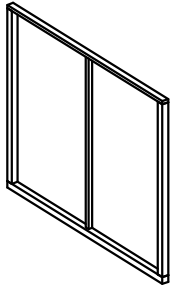
O



Bottom box (1pc)

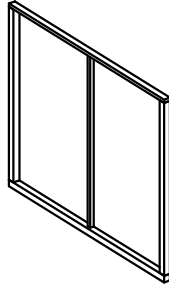
Part List

P



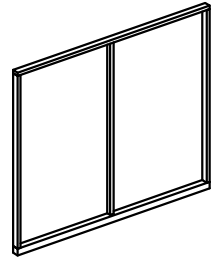
Box Front Frame (1pc)

Q



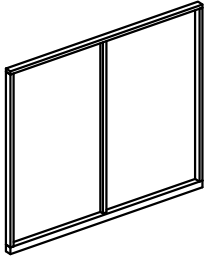
Box Back Frame (1pc)

T



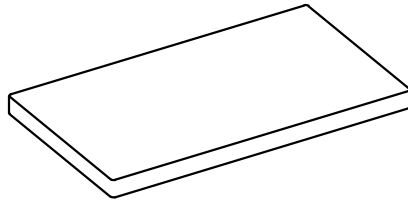
Box Left Frame (1pc)

U



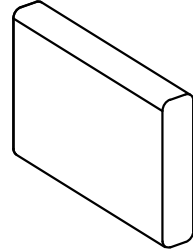
Box Right Frame (1pc)

R



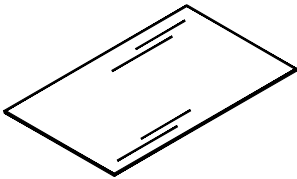
Bench Seat Cushion (2pcs)

S



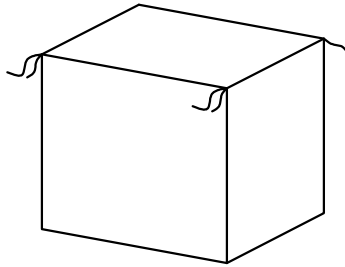
Bench Back Cushion (4pcs)

V



Glass Table (1pc)

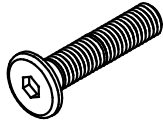
X



Cloth Bag (1pc)

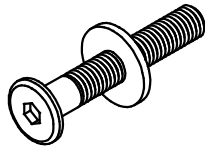
Hardware list

1



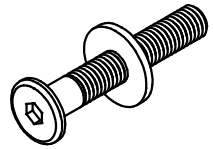
Bolt M6 x 25 mm (32 pcs)

2



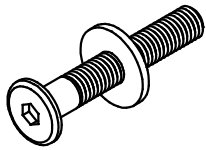
Bolt M6 x 25 mm (10 pcs)

3



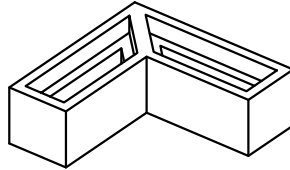
Bolt M6 x 30 mm (34 pcs)

4



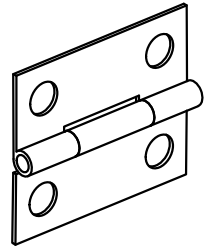
Bolt M6 x 40 mm (24 pcs)

5



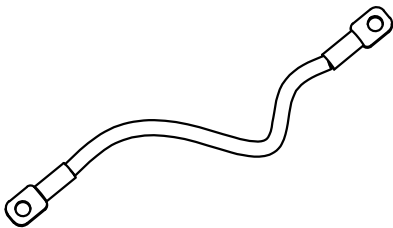
Plastic Feet (16 pcs)

6



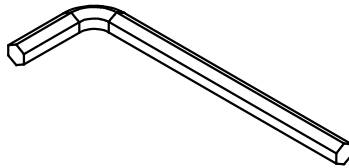
Hinges (2 pcs)

7



Link rope (1pc)

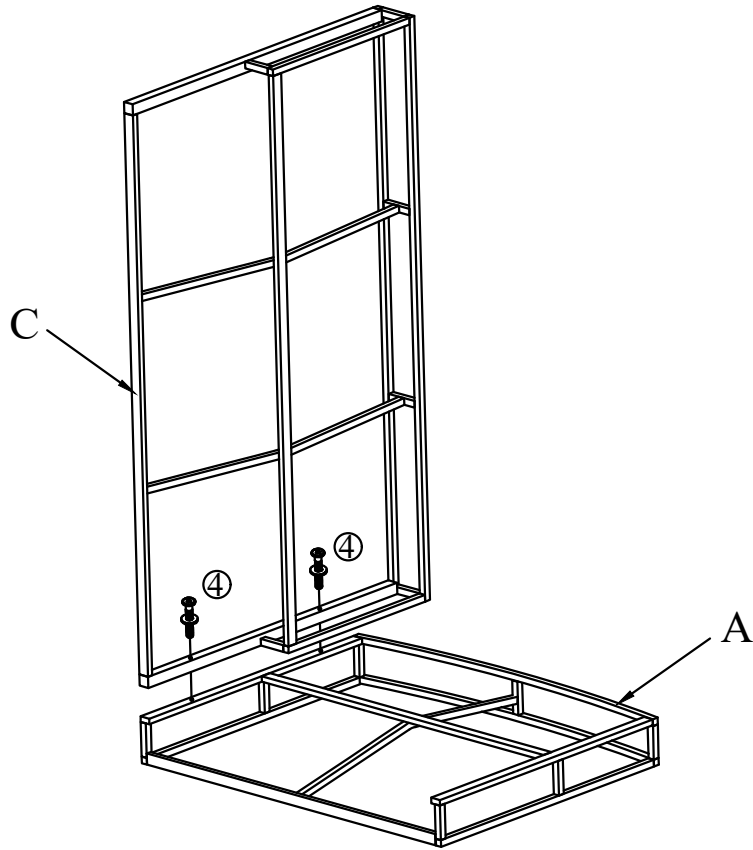
8



Allen key M4 (1 pc)

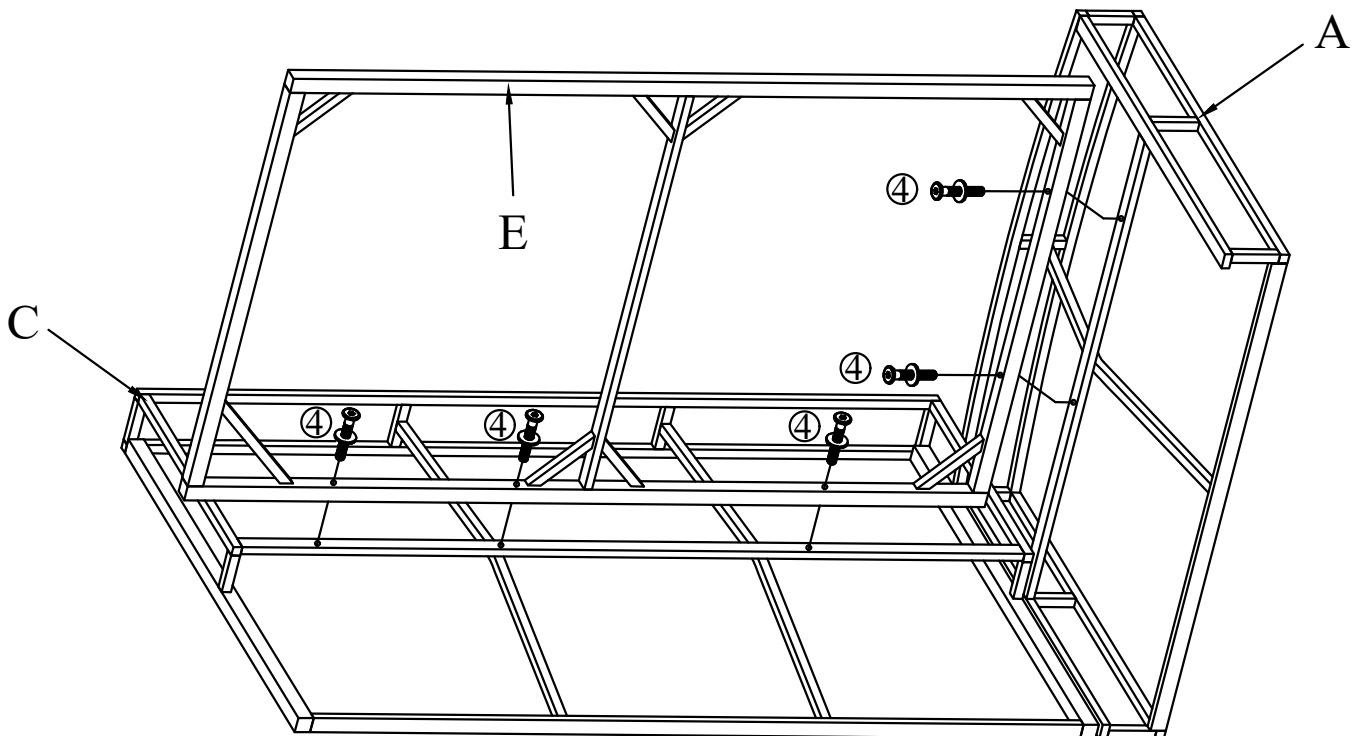
STEP 1 (Bench Left Assembly)

Connect Left Frame (A) & Bench Left Back Frame (C) with Bolt (4)



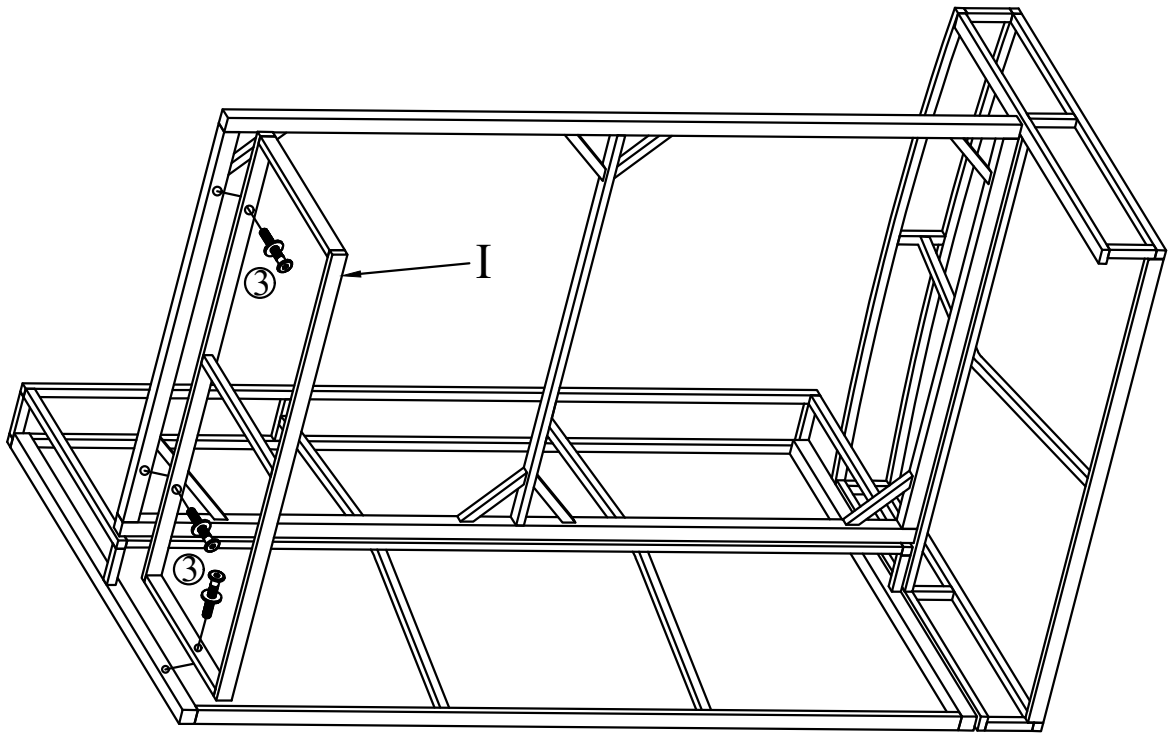
STEP 2

Connect part from STEP 1 & Bench Left Seat Frame (E) with Bolt (4)



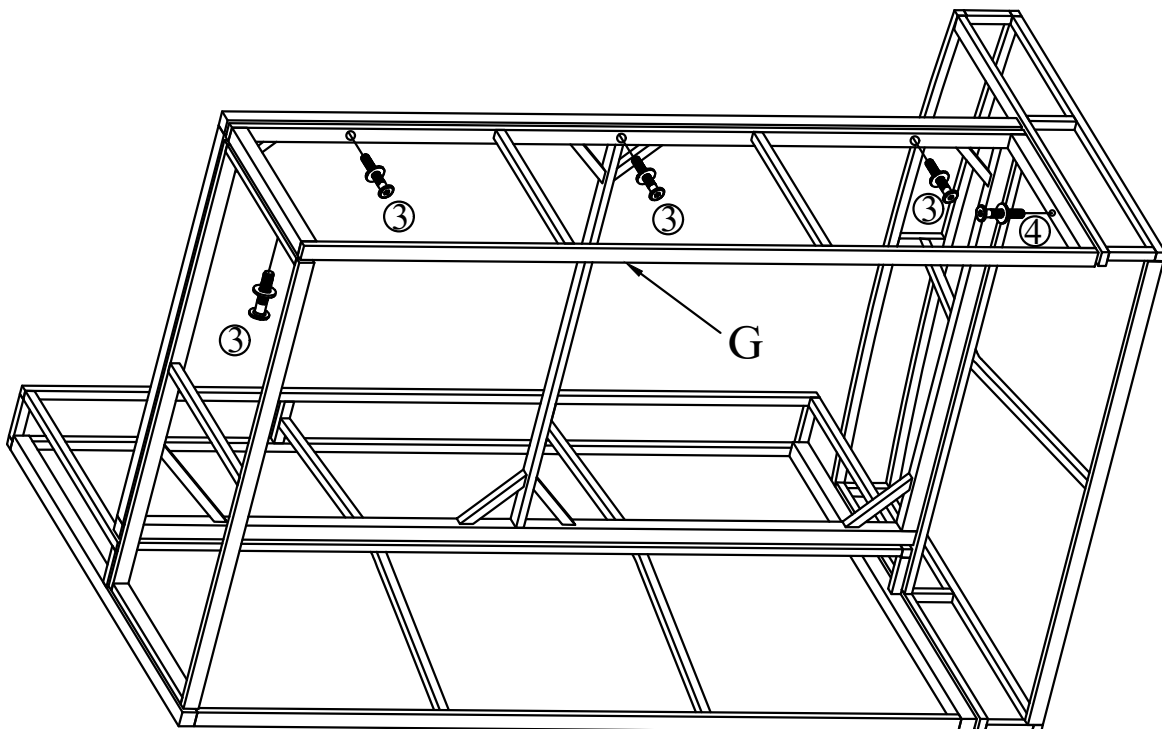
STEP 3

Connect part from STEP 2 & Bench Left Side Frame (I) with Bolt (3)



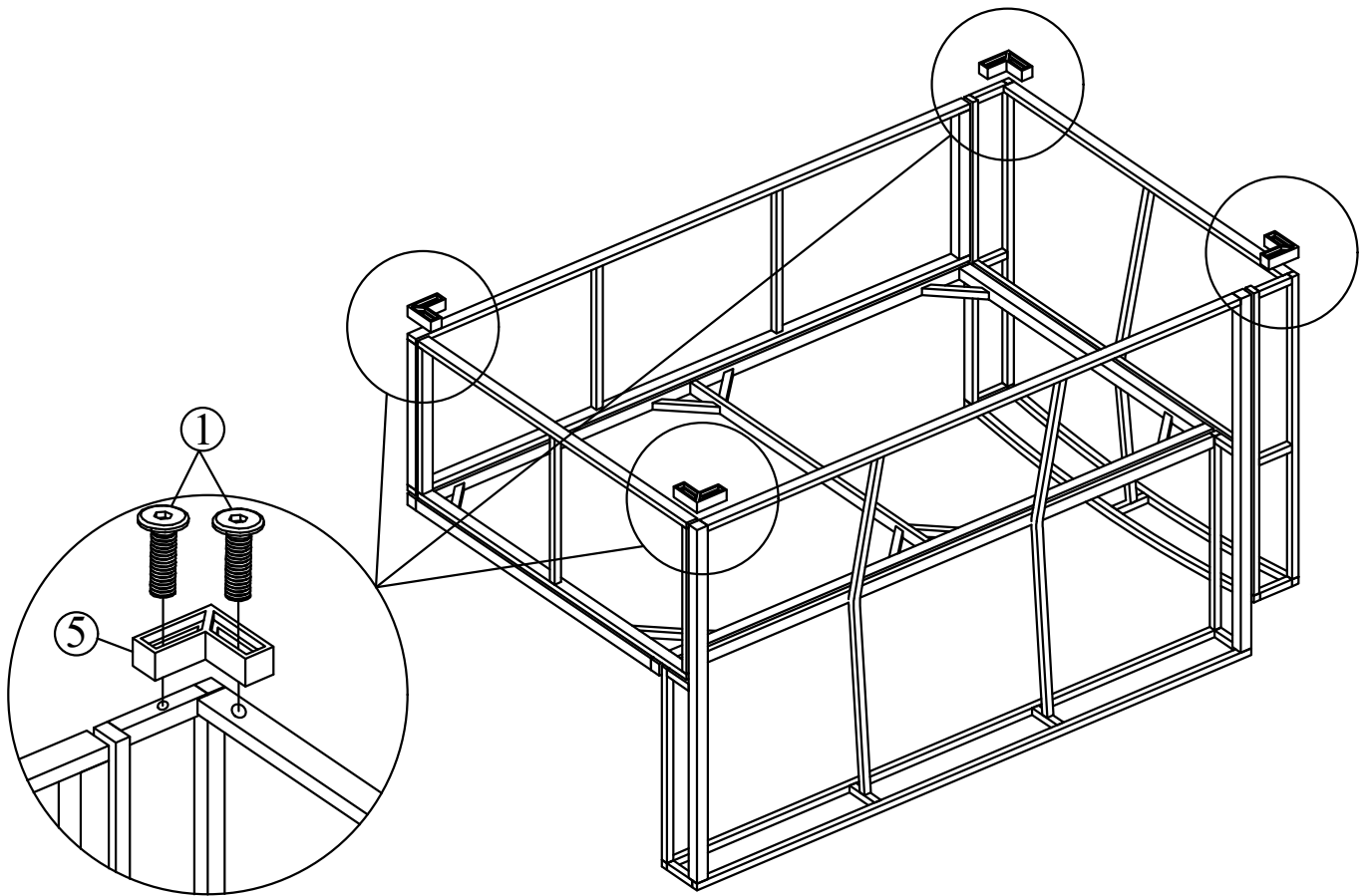
STEP 4

Connect part from STEP 3 & Bench Left Front Frame (G) with Bolt (3) (4)



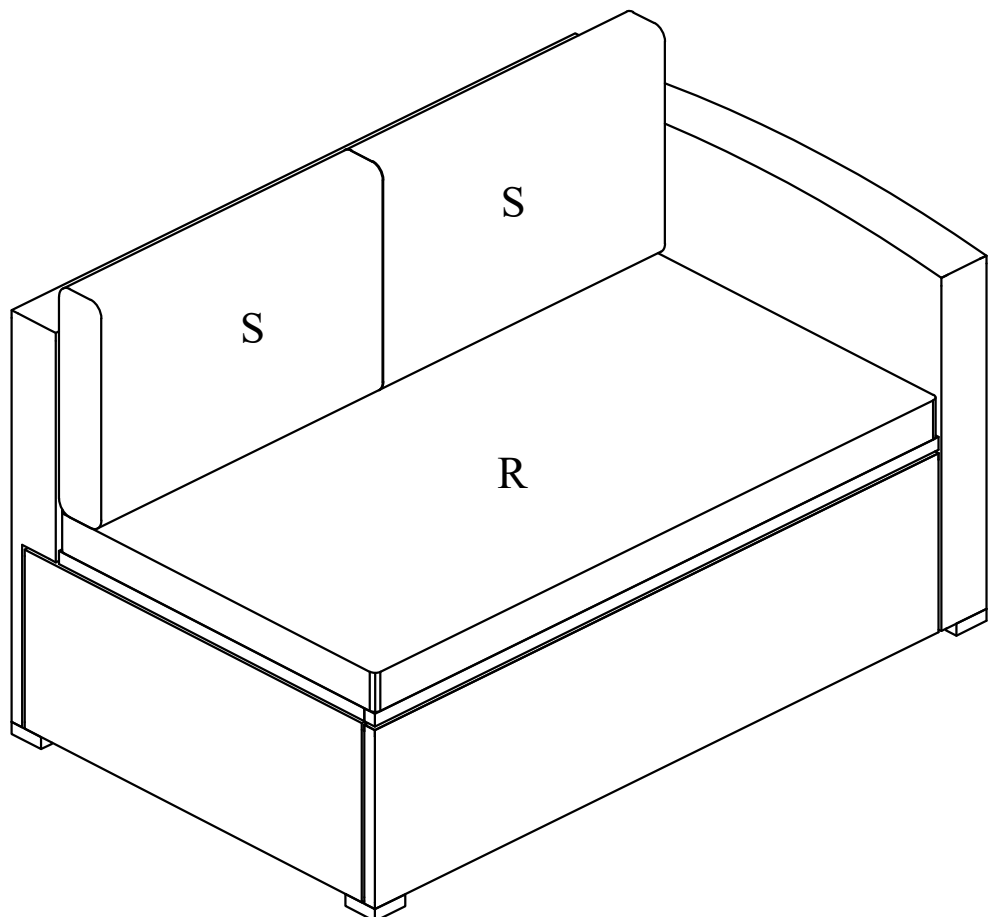
STEP 5

Connect part from STEP 4 & Plastic Feet (5) with Bolt (1)



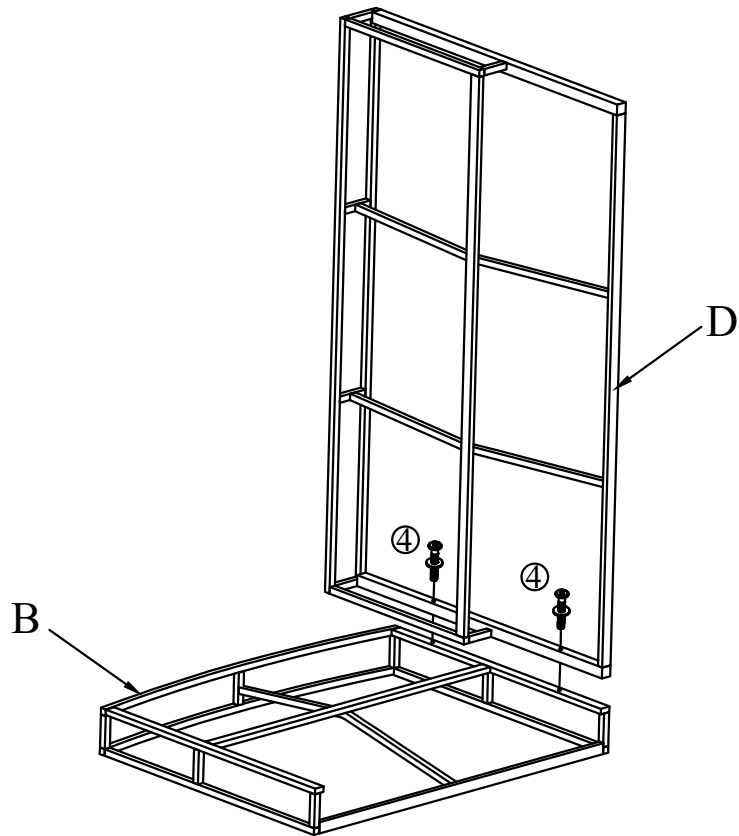
STEP 6

Put on Bench Cushion (R), Back Cushion (S) to complete Bench



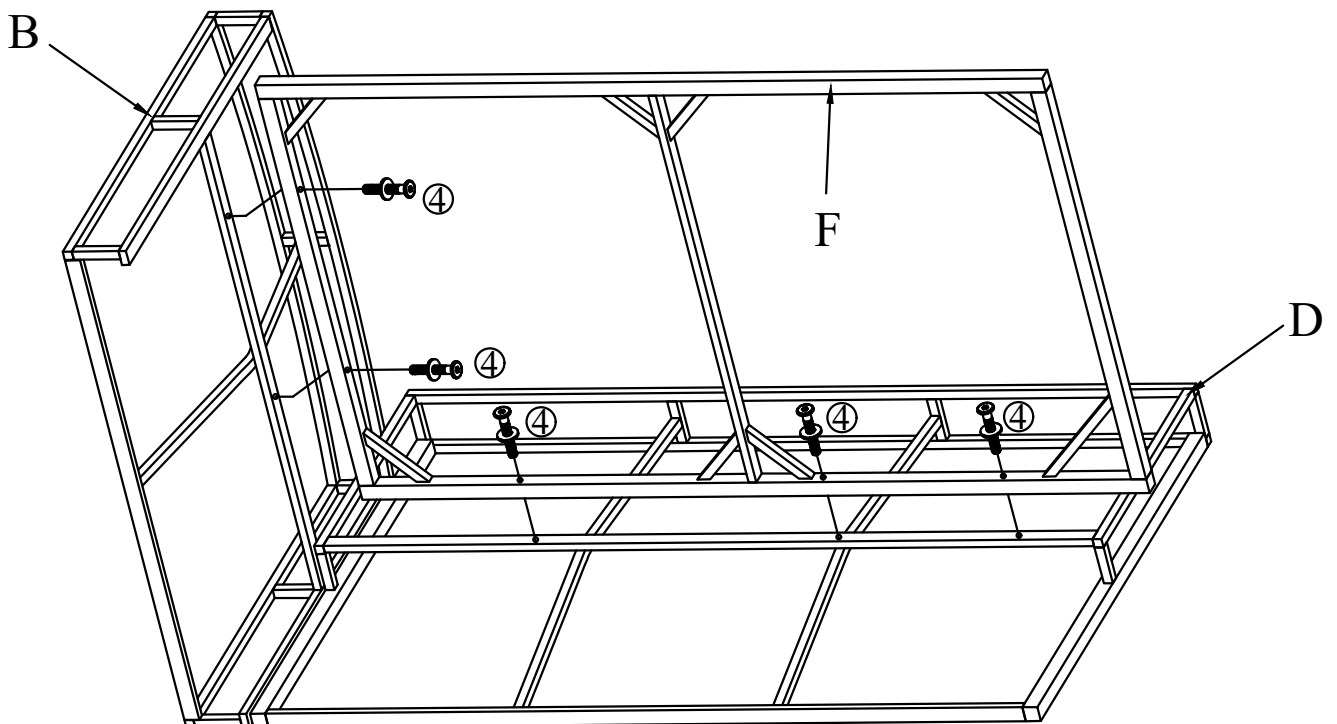
STEP 7 (Bench Right Assembly)

Connect Right Frame (B) & Bench Right Back Frame (D) with Bolt (4)



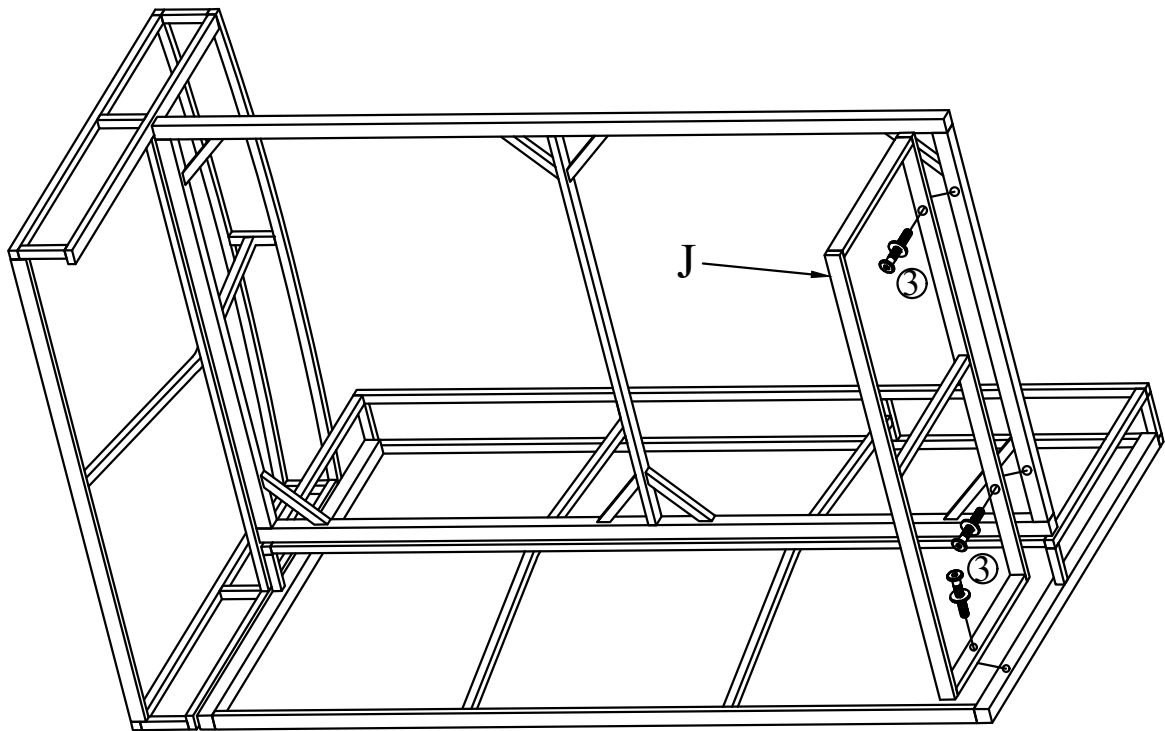
STEP 8

Connect part from STEP 7 & Bench Right Seat Frame (F) with Bolt (4)



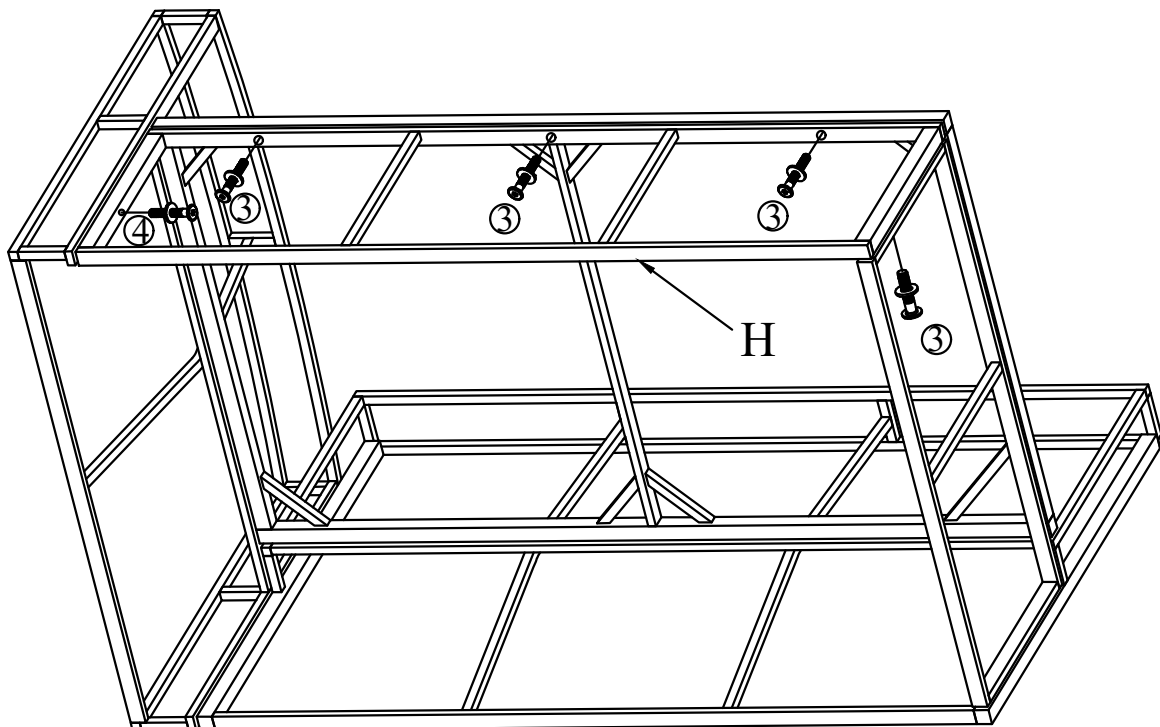
STEP 9

Connect part from STEP 8 & Bench Right Side Frame (J) with Bolt (3)



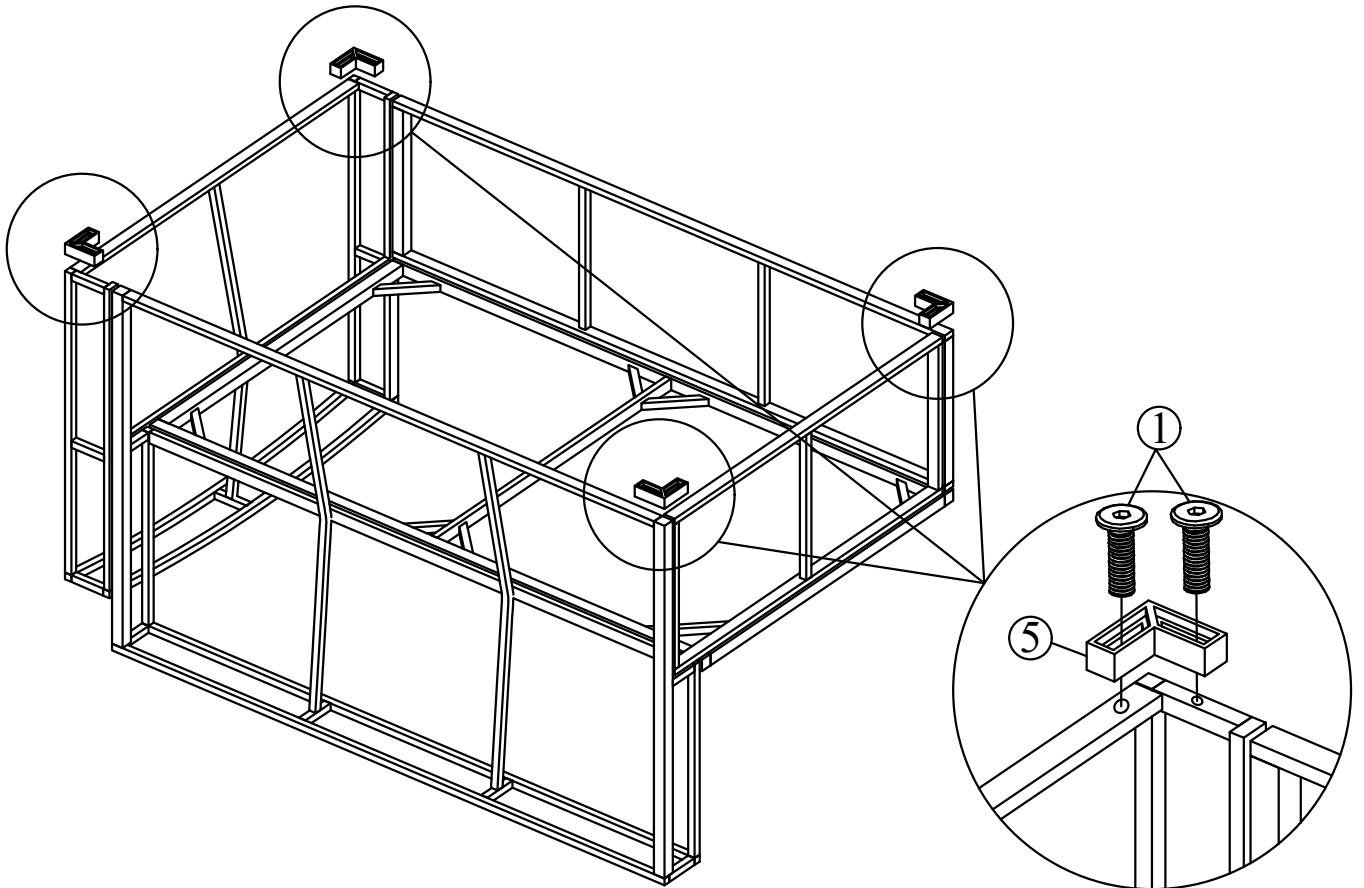
STEP 10

Connect part from STEP 9 & Bench Right Front Frame (H) with Bolt (3) (4)



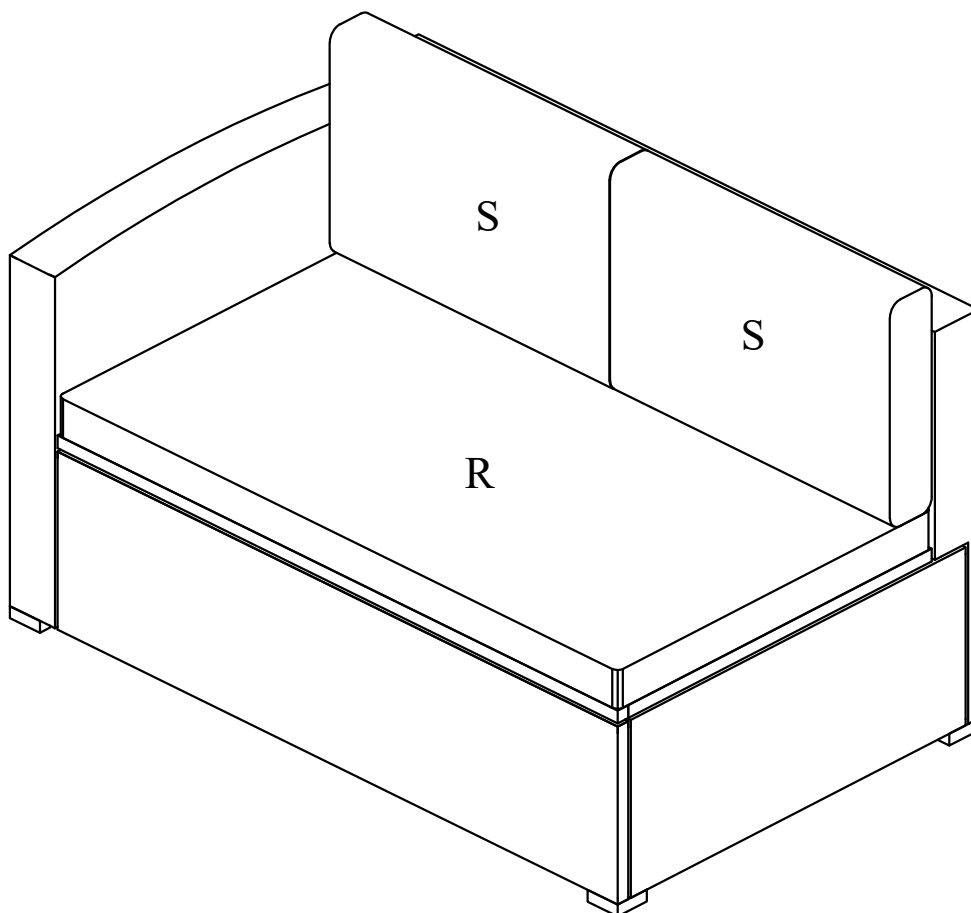
STEP 11

Connect part from STEP 10 & Plastic Feet (5) with Bolt (1)



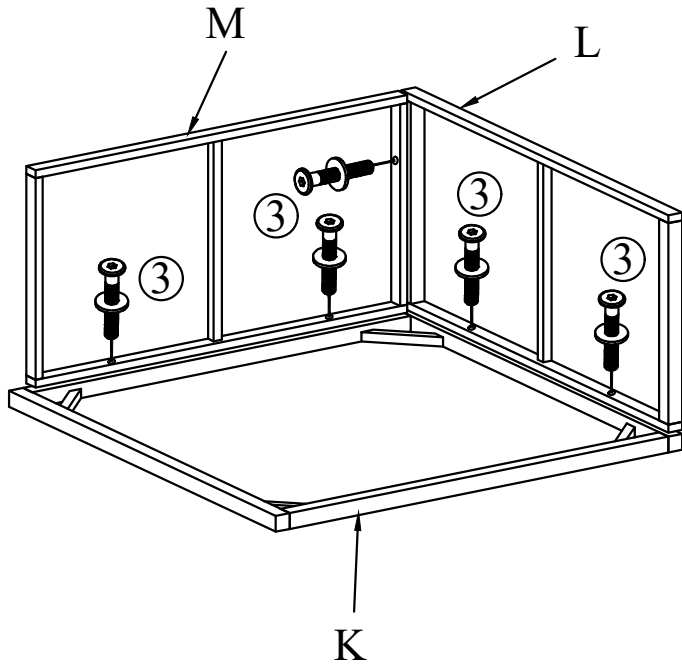
STEP 12

Put on Bench Cushion (R), Back Cushion (S) to complete Bench



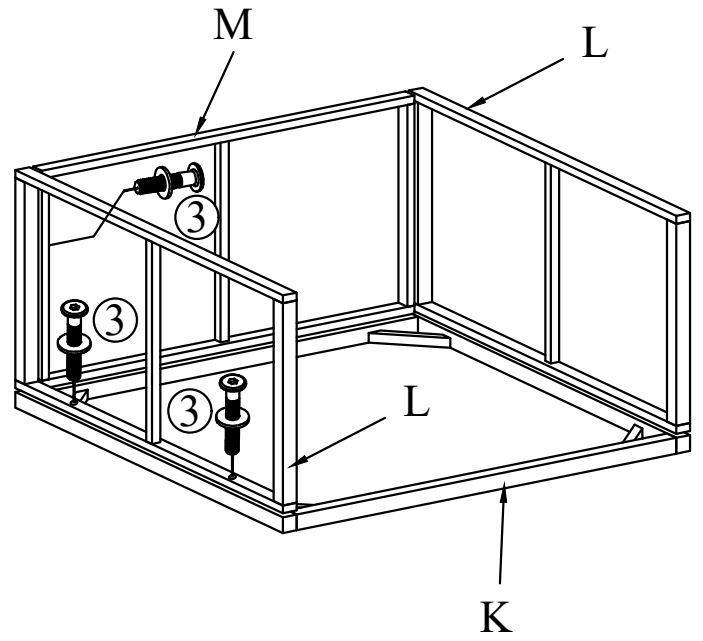
STEP 13 (Table Assembly)

Connect Top Table (K) & Table Front Frame (L), Table Side Frame (M) with Bolt (3)



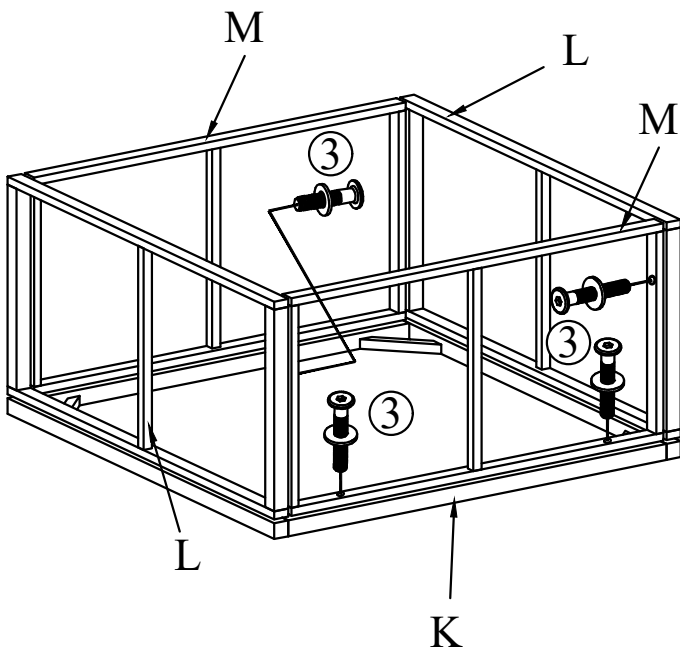
STEP 14

Connect part from STEP 13 & Table Front Frame (L) with Bolt (3)



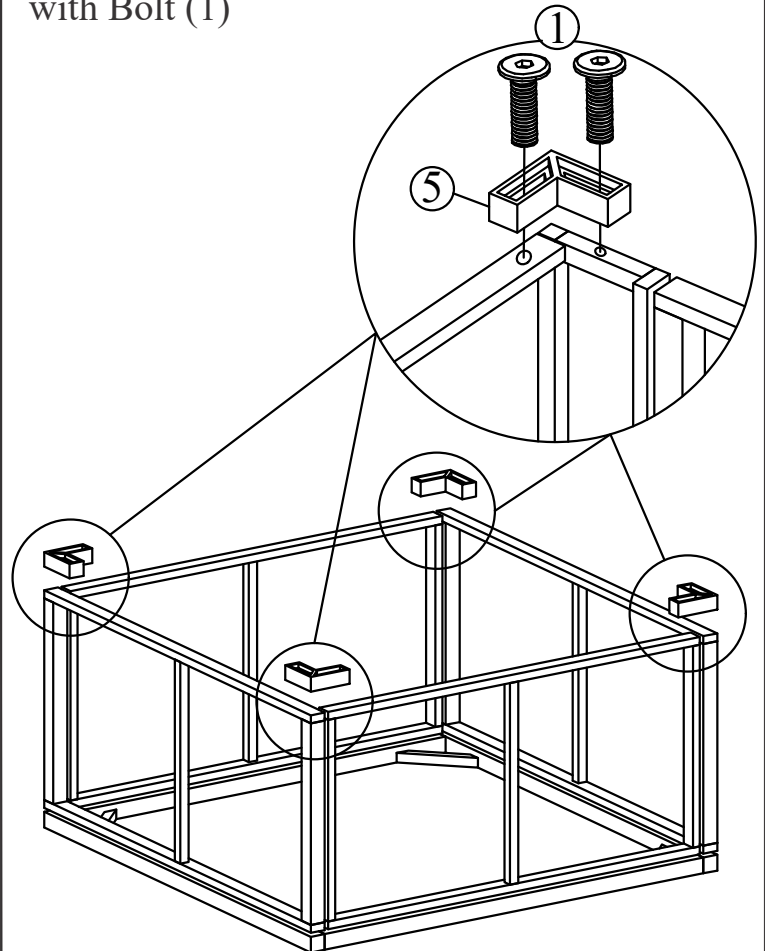
STEP 15

Connect part from STEP 14 & Table Side Frame (M) with Bolt (3)



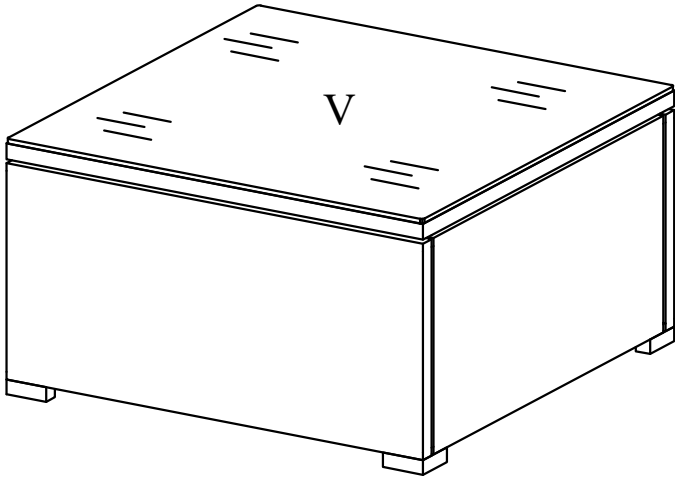
STEP 16

Connect part from STEP 15 & Plastic Feet (5) with Bolt (1)



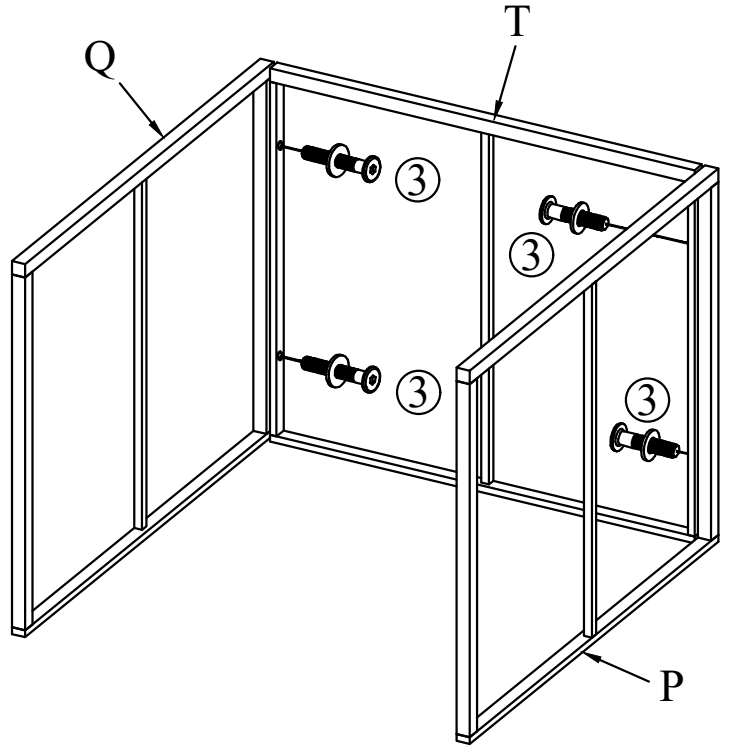
STEP 17

Put on Glass Table (V) to complete Table



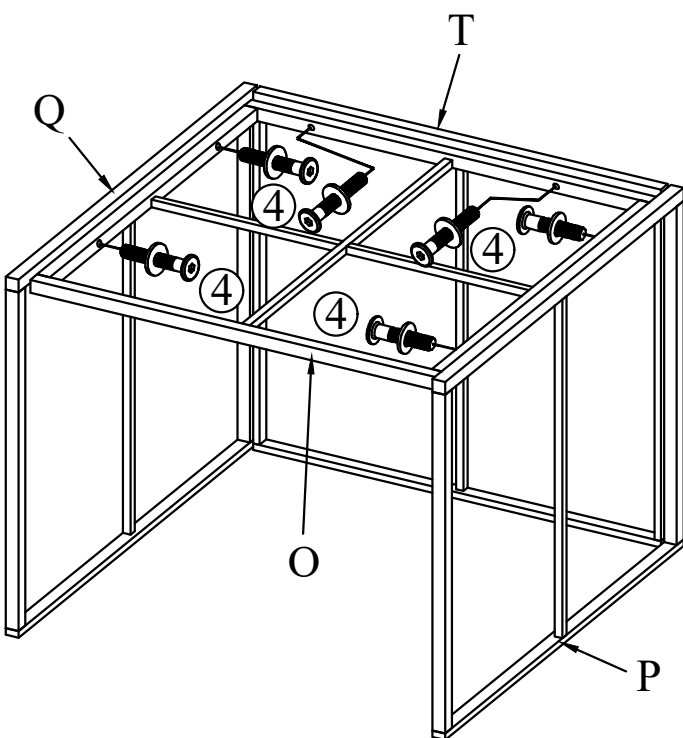
STEP 18 (Box Assembly)

Connect Front Box Frame (P) & Back Box Frame (Q), Box Left Frame (T) with Bolt (3)



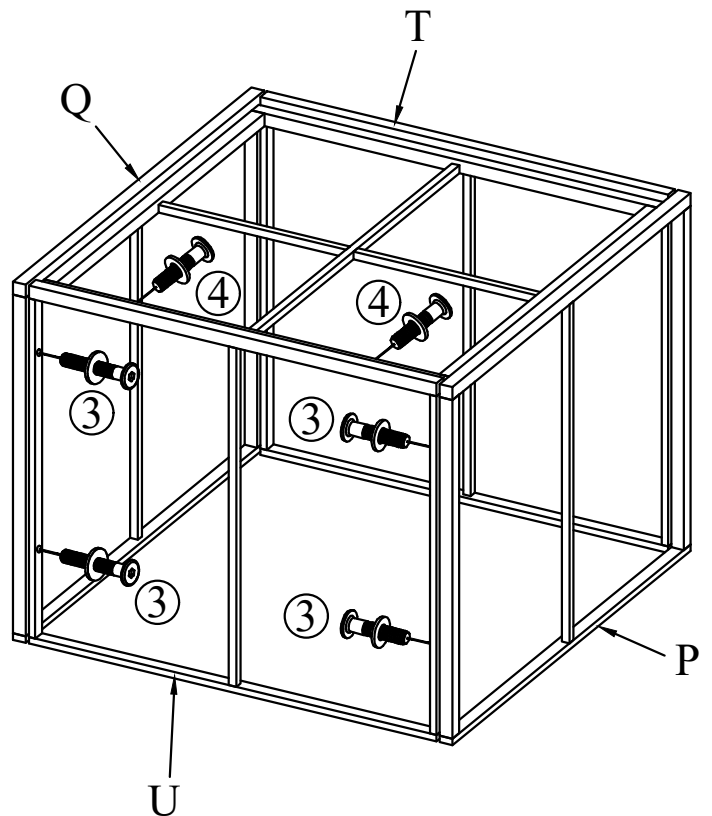
STEP 19

Connect part from STEP 18 & Bottom Box (O) with Bolt (4)



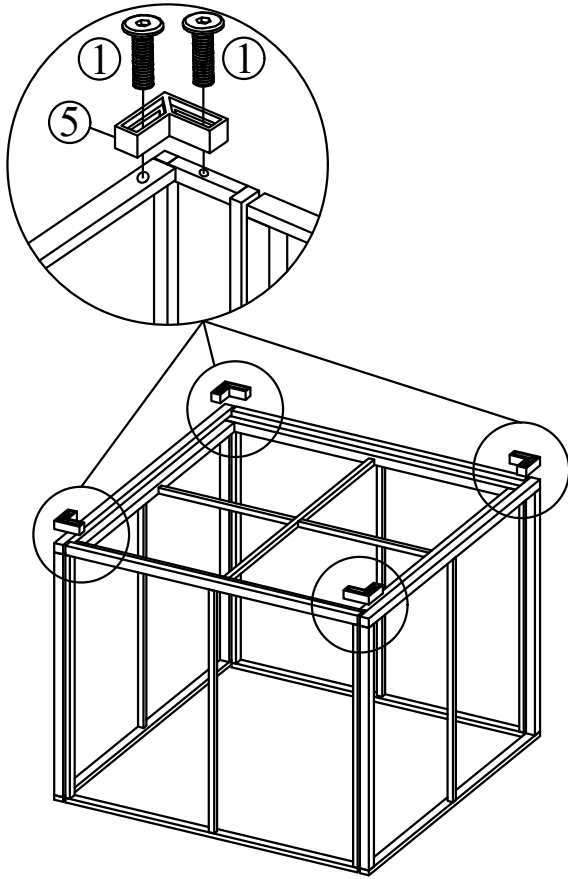
STEP 20

Connect part from STEP 19 & Box Right Frame (U) with Bolt (3) (4)



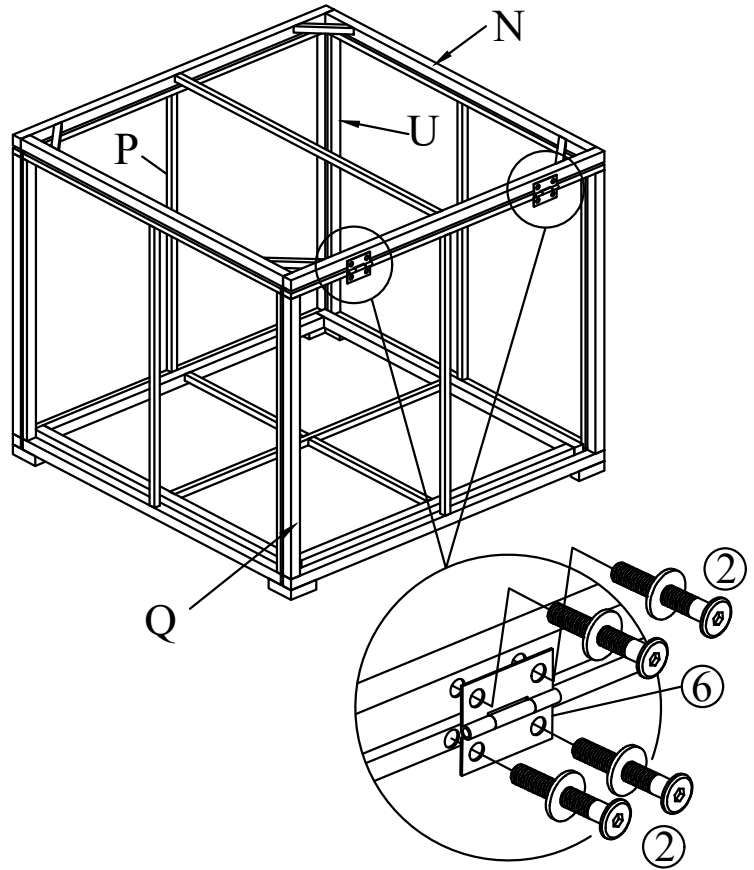
STEP 21

Connect part from STEP 20 & Plastic Feet (5) with Bolt (1)



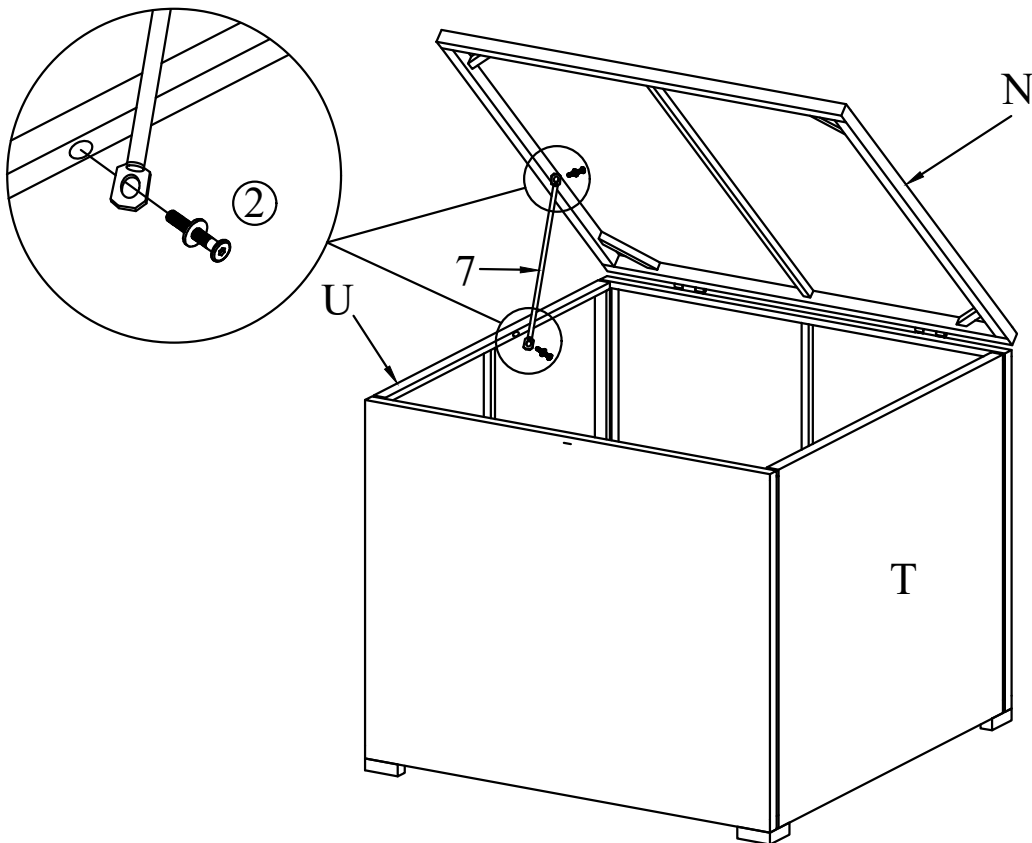
STEP 22

Connect part from STEP 21 & Top Box (N) with Hinges (6) & Bolt (2)



STEP 22

Connect Top Box (N) & Box Right Frame (U) with Bolt (2), Link Rope (7)



STEP 23
Put on Cloth Bag (X) to complete Box

