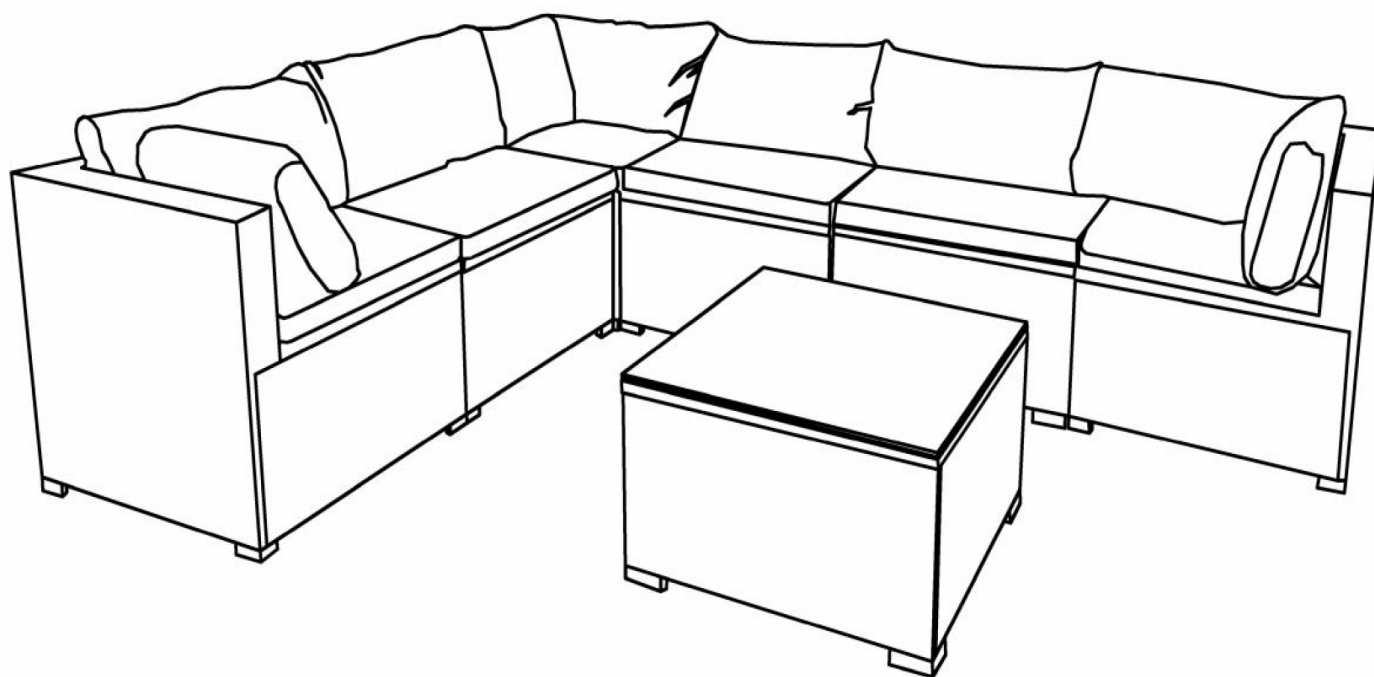
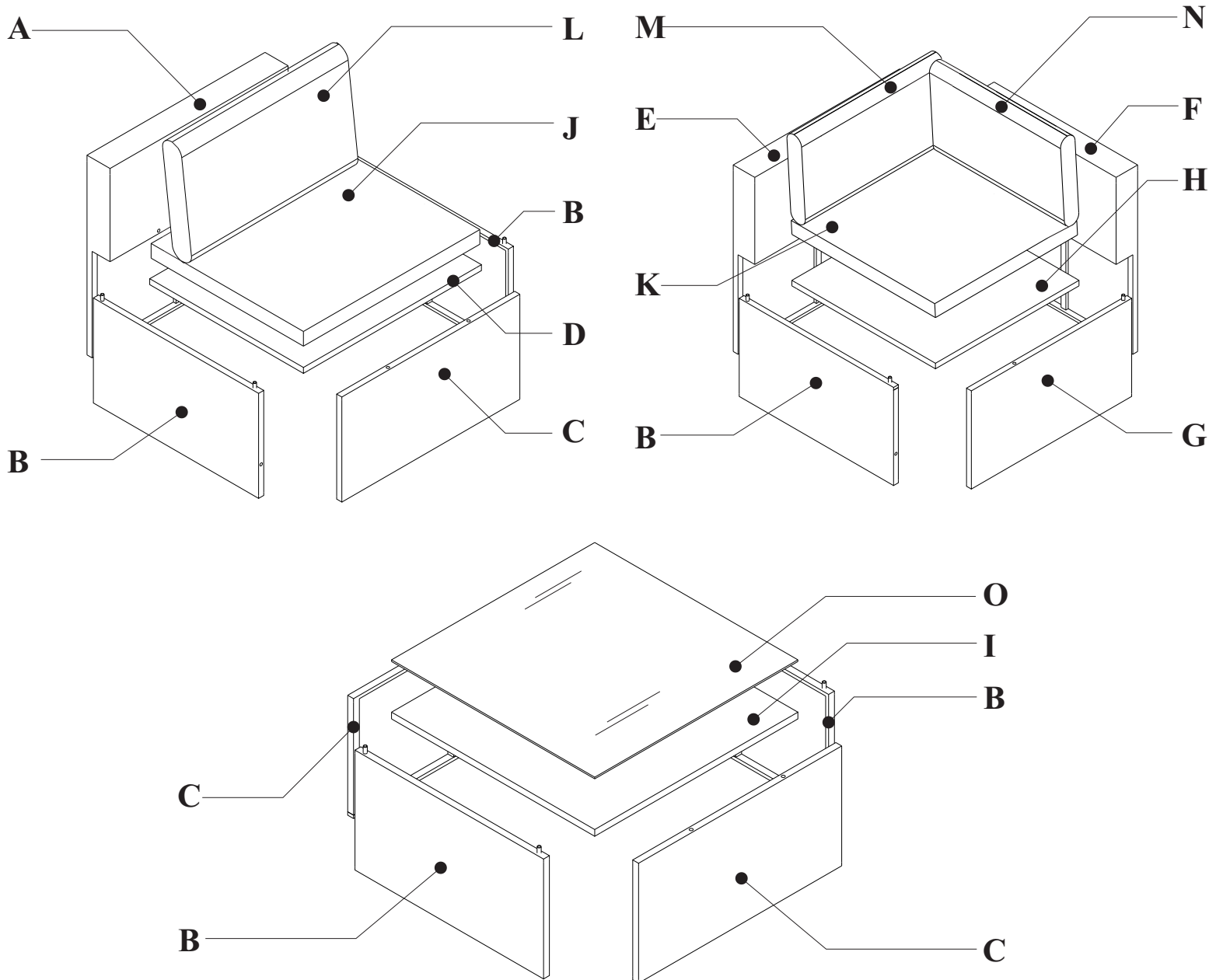


ASSEMBLY INSTRUCTION

OUTDOOR SOFA SET



WF 037132DAA; WF 037133DAA
WF 037134DAA

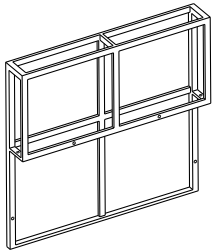


Notice:

- 1. 50% Tighten before fixing all screws, Allen wrench is recommended instead of an electric drill.**
- 2. Place the item on a flat ground to adjust and make sure it remains stable.**
- 3. Tighten up all screws with tools gradually.**
- 4. If the screws are not aligned with holes during assembly, please loosen all the other screws to 50% and continue the assembly process.**
- 5. If the item is not stable, please loosen all the screws, adjust it on a flat ground and tighten up all screws again.**
- 6. Note : If one or some screws are fully tightened during assembly, chances are the others will not be aligned with holes. In addition, all the holes are designed to be relatively larger to provide more space for the adjustment of the screws.**

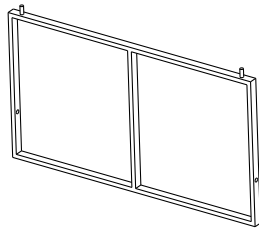
Part List & Hardware

A



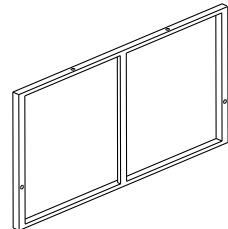
Back Frame (3 pcs)

B



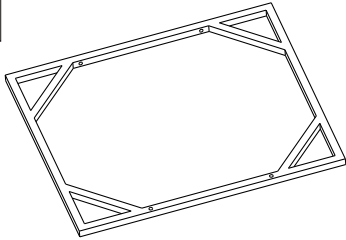
Panel Frame B (11 pcs)

C



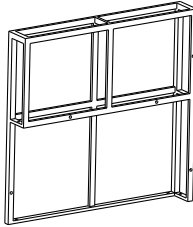
Panel Frame C (5 pcs)

D



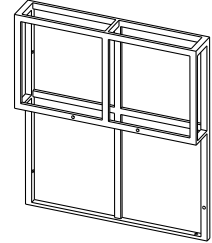
Seat Frame (3 pcs)

E



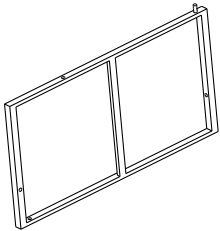
Right Back Frame (3 pcs)

F



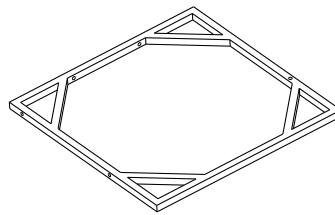
Left Back Frame (3 pcs)

G



Panel Frame (3 pcs)

H



Seat Frame H (3 pcs)

I

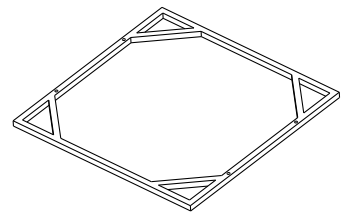
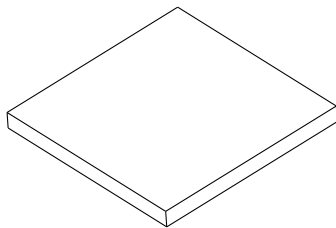


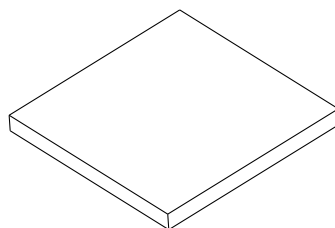
Table Top Frame (1 pc)

J



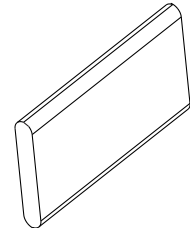
Seat Cushion (3 pcs)

K



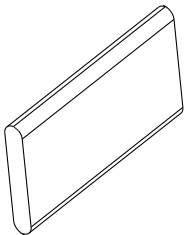
Seat Cushion Corner (3 pcs)

L



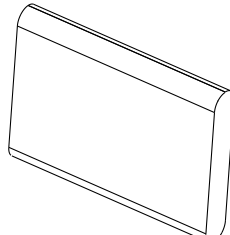
Back Cushion (3 pcs)

M



Big Corner Cushion (3 pcs)

N



Small Corner Cushion (3 pcs)

O

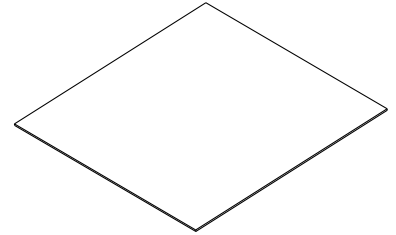
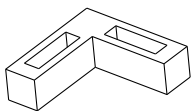


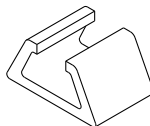
Table Glass (1 pc)

P



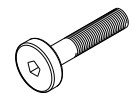
Sofa Leg (28 pcs)

Q



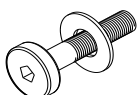
Sofa Connector (10 pcs)

1



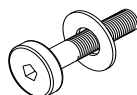
Bolt M6 x 25 (56 pcs)

2



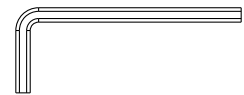
Bolt M6 x 30 (35 pcs)

3



Bolt M6 x 40 (27 pcs)

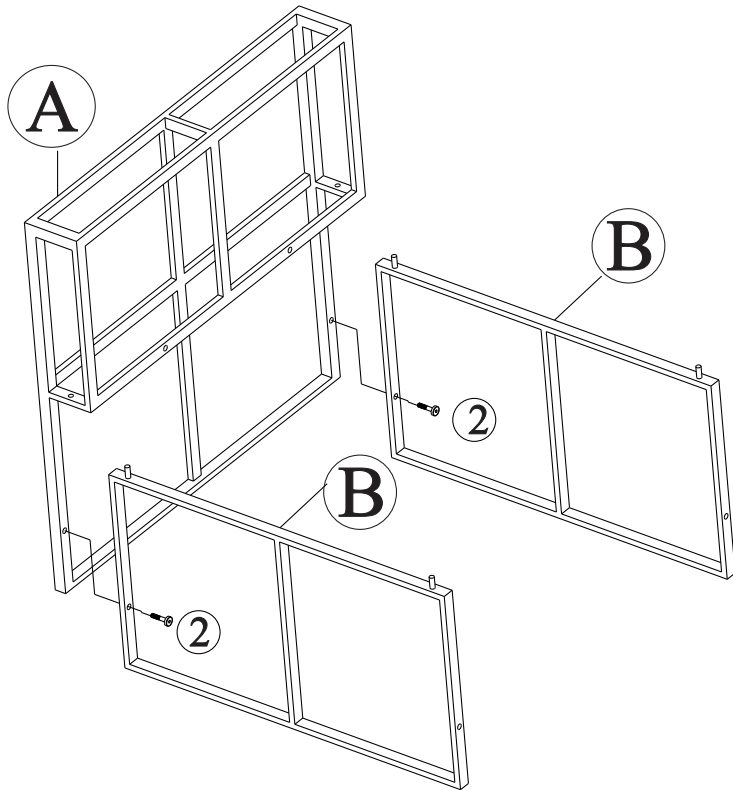
4



Allen key (1pc)

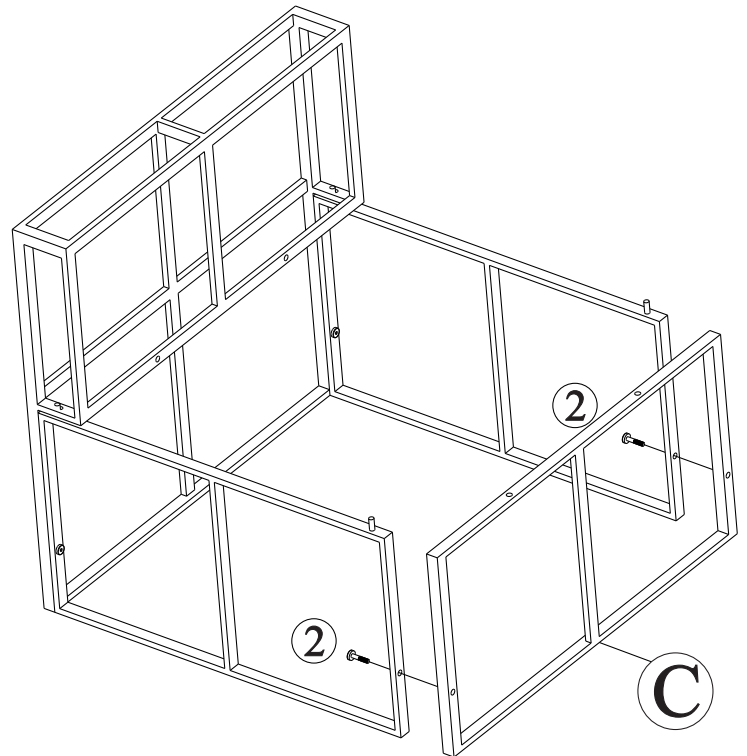
STEP 1

Connect 2pcs Panel Frame B(B) & Back Frame(A) with Bolt (2) .



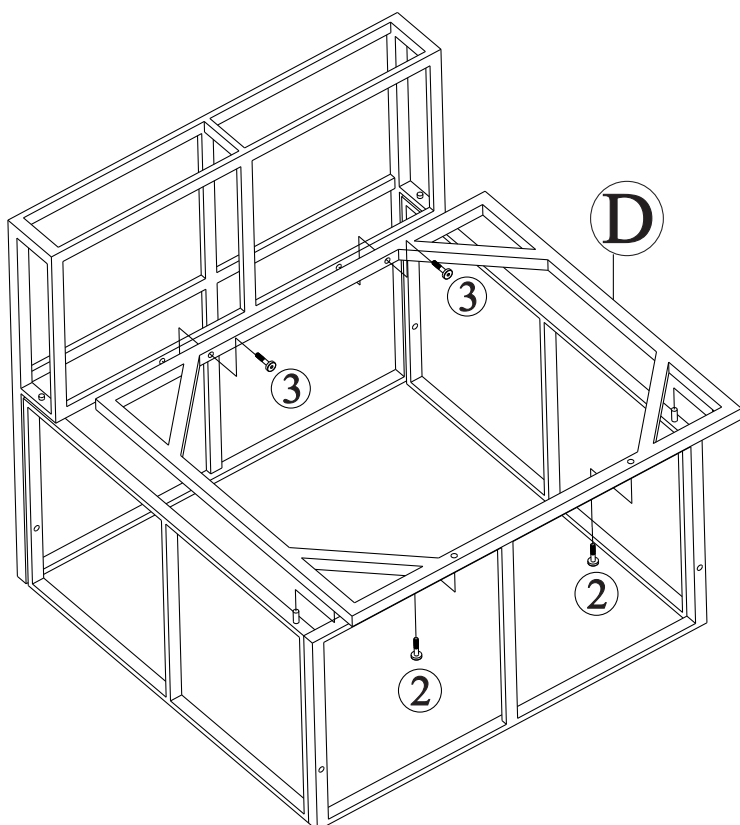
STEP 2

Connect part from STEP 1 & Panel Frame C (C) with Bolt (2).



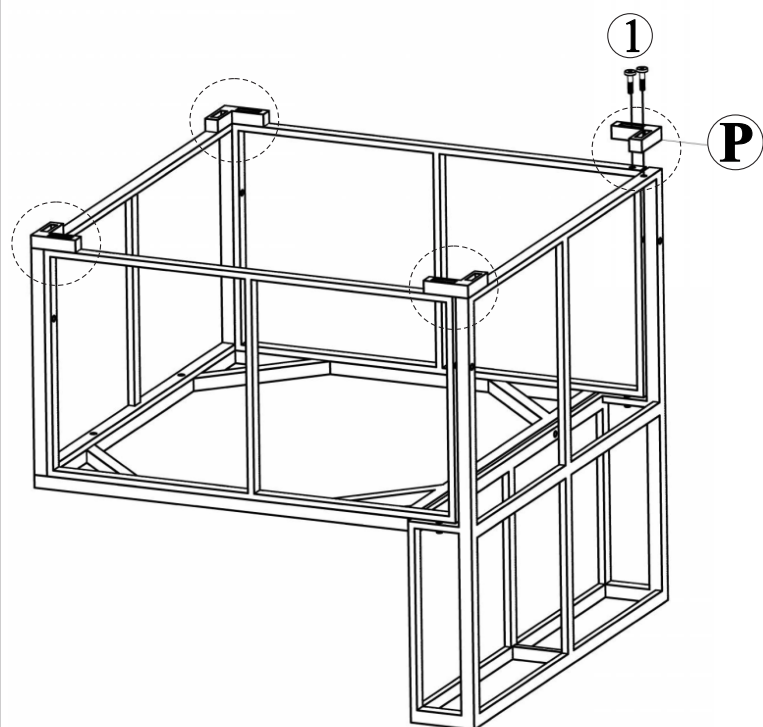
STEP 3

Connect part from STEP 2 & Seat Frame (D) with Bolt (2) & (3)



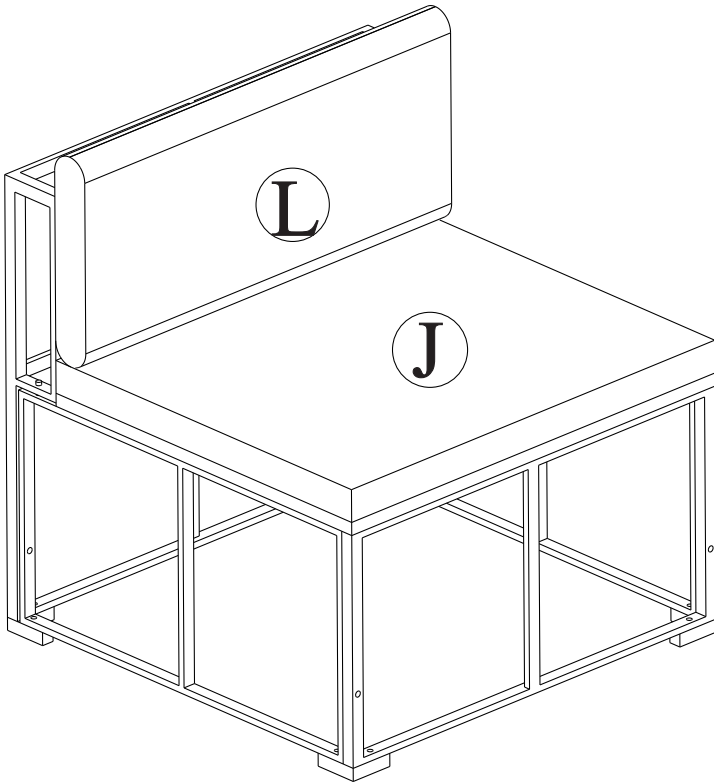
STEP 4

Overturn part from STEP 3, connect part from STEP 3 & Sofa Leg (P) with Bolt (1)



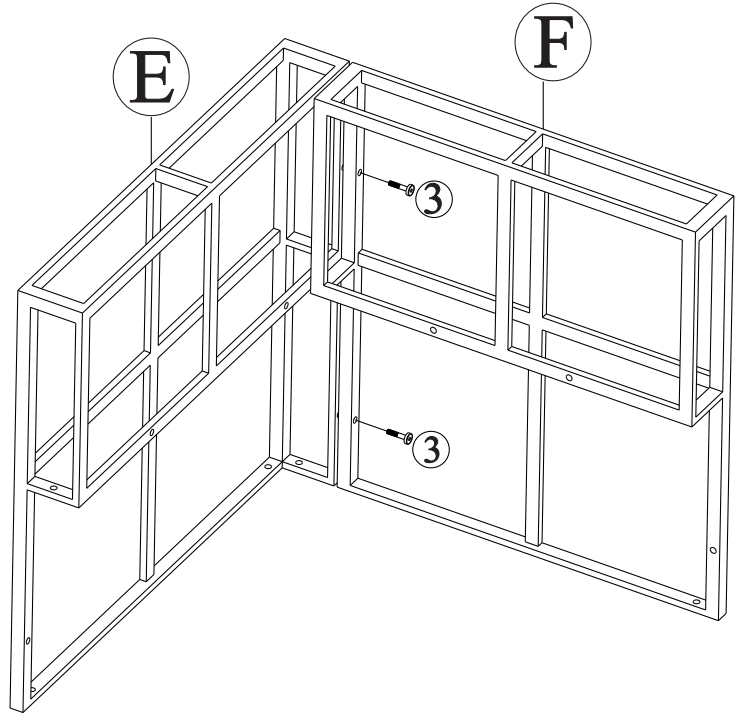
STEP 5

Put on Seat Cushion (J) & Back Cushion(L) to complete the chair.



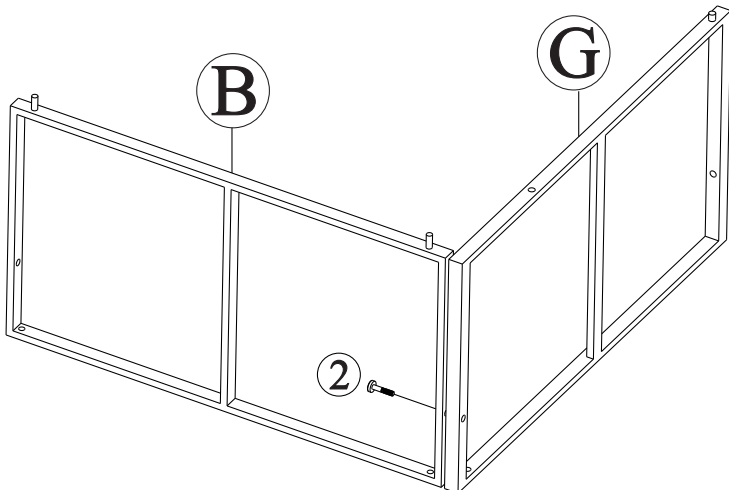
STEP 6

Connect Right Back Frame (E) & Left Back Frame (F) with Bolt (3)



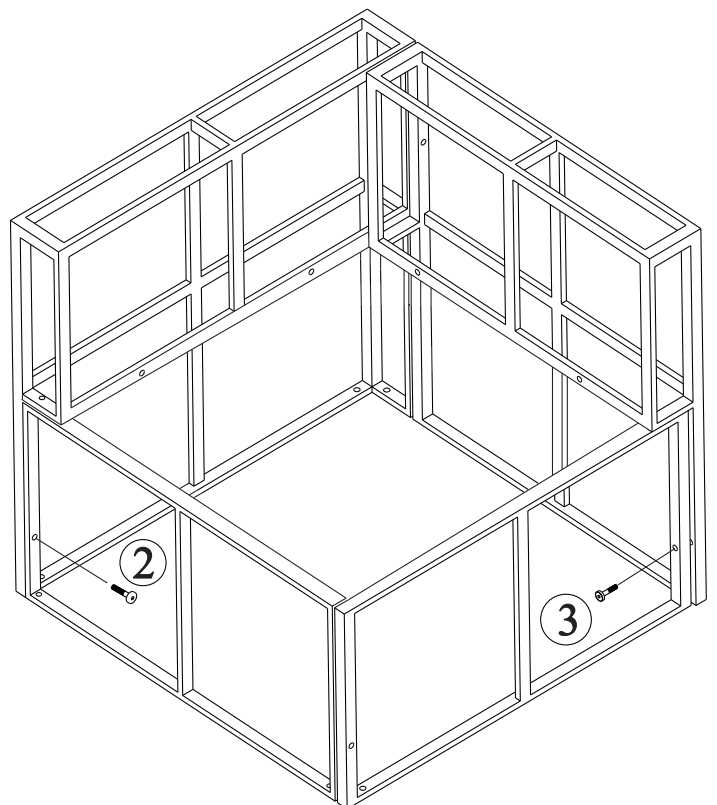
STEP 7

Connect Panel Frame B(B) & PanelFrame (G) with Bolt (2)



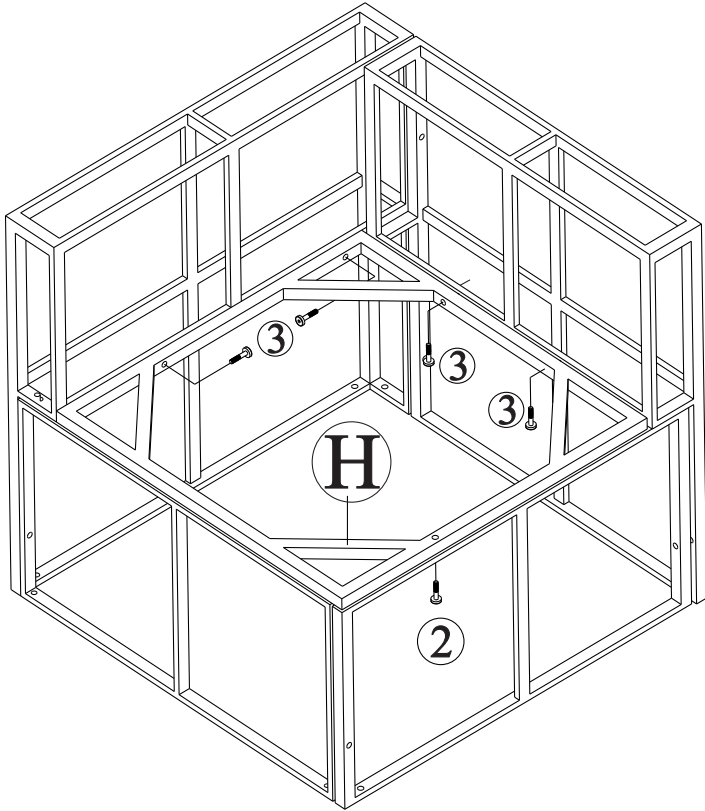
STEP 8

Connect part from STEP 6 & STEP 7 with Bolt (2) & (3)



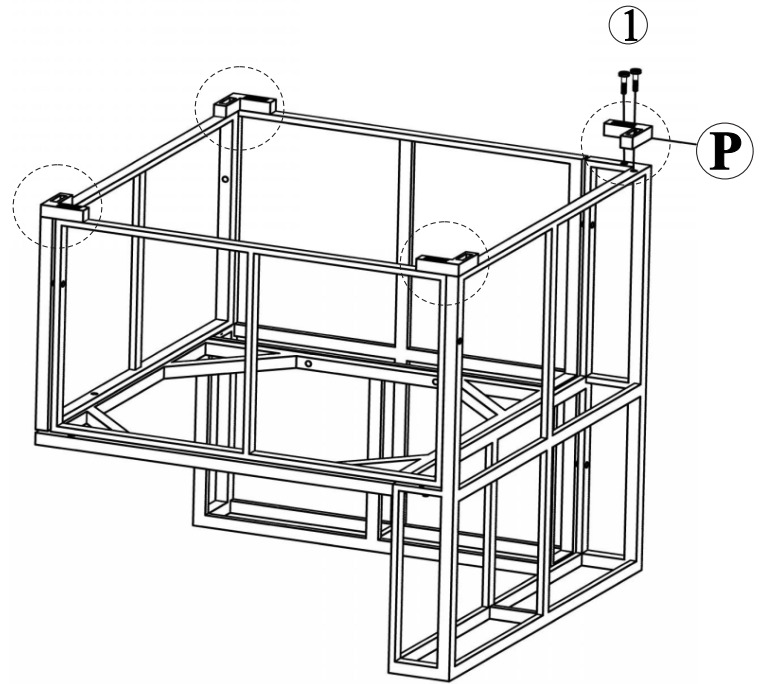
STEP 9

Connect part from STEP 8 & Seat Frame H (H) with Bolt (2) & (3)



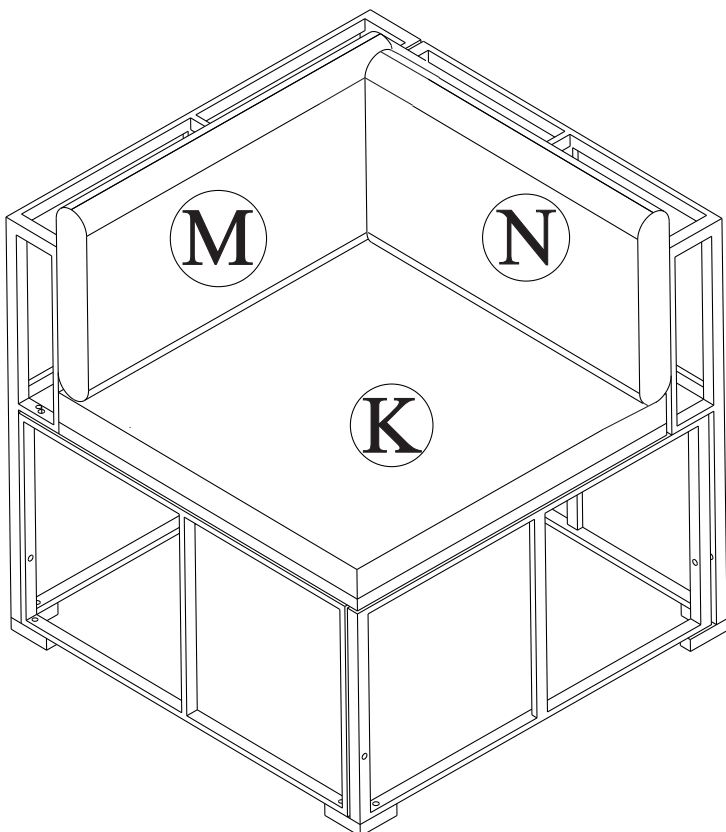
STEP 10

Overturn part from STEP 9, connect part from STEP 9 & Sofa Leg (P) with Bolt (1)



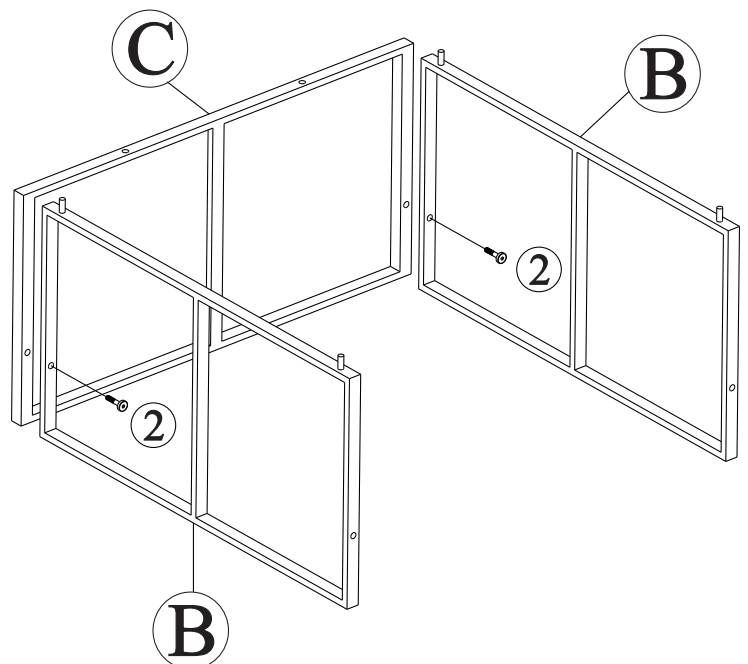
STEP 11

Put on Seat Corner Cushion (K) & Big Corner Cushion (M) & Small Corner Cushion (N) to complete Corner Sofa.



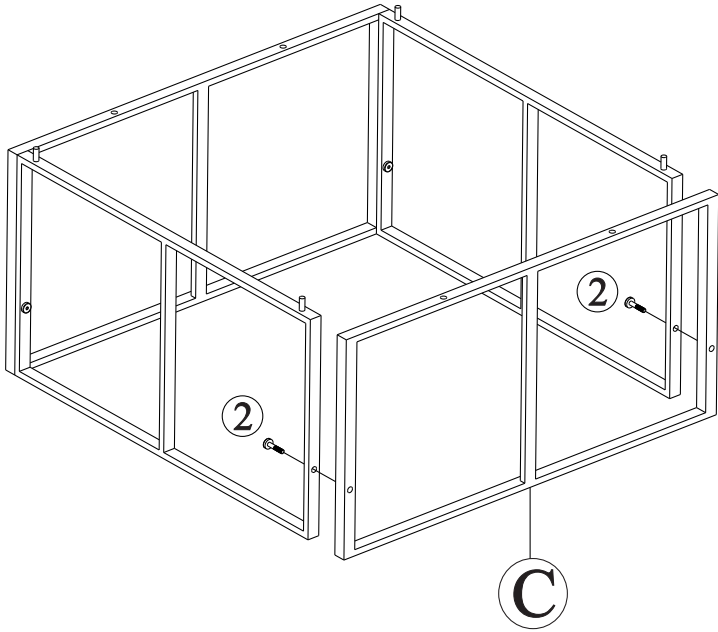
STEP 12

Connect 2pcs Panel Frame B(B) & Panel Frame C (C) with Bolt (2).



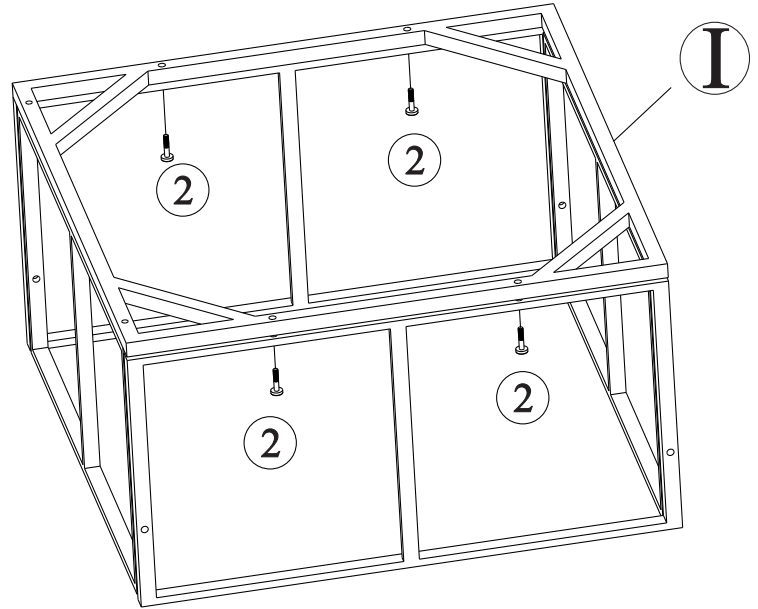
STEP 13

Connect part from STEP 12 & Panel Frame C (C) with Bolt (2).



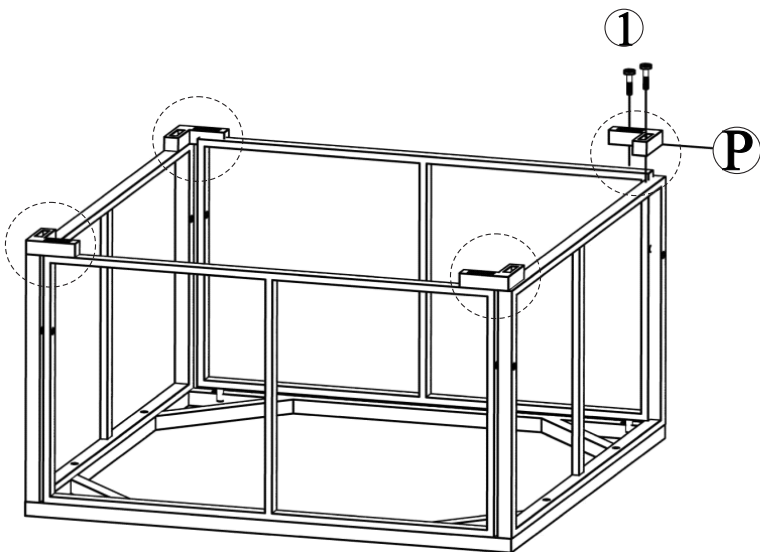
STEP 14

Connect part from STEP 13 & Table Top Frame (I) with Bolt (2).



STEP 15

Overturn part from STEP 14 & connect part from STEP 14 & Sofa Leg (P) with Bolt (1).



STEP 16

Put on Table Glass (O) to finish the Table

