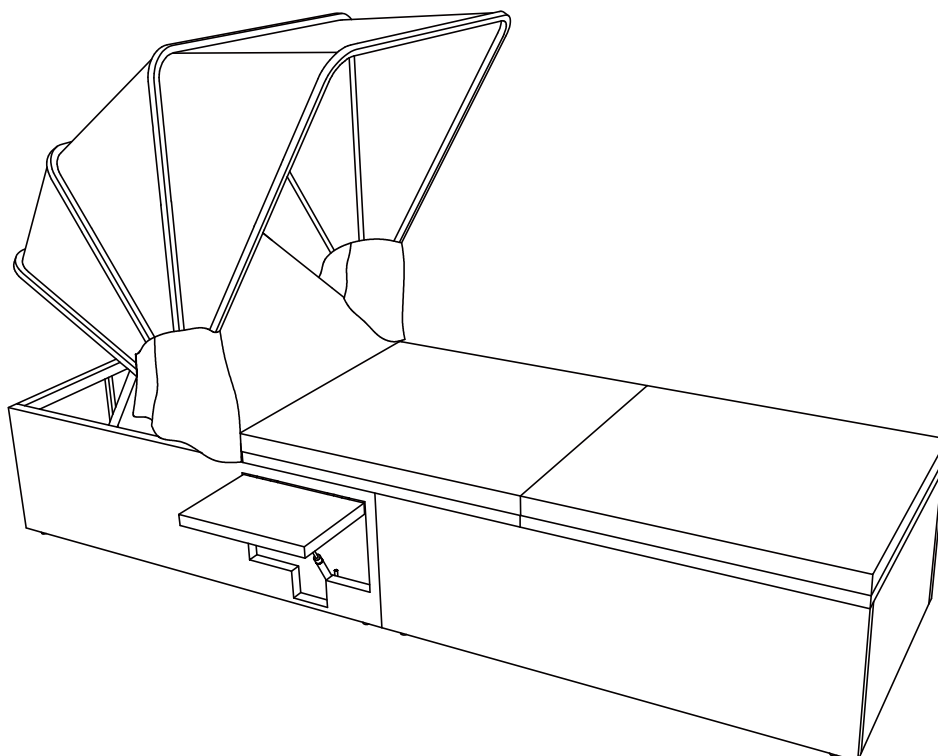


ASSEMBLY INSTRUCTION

Sunlounger with Canopy

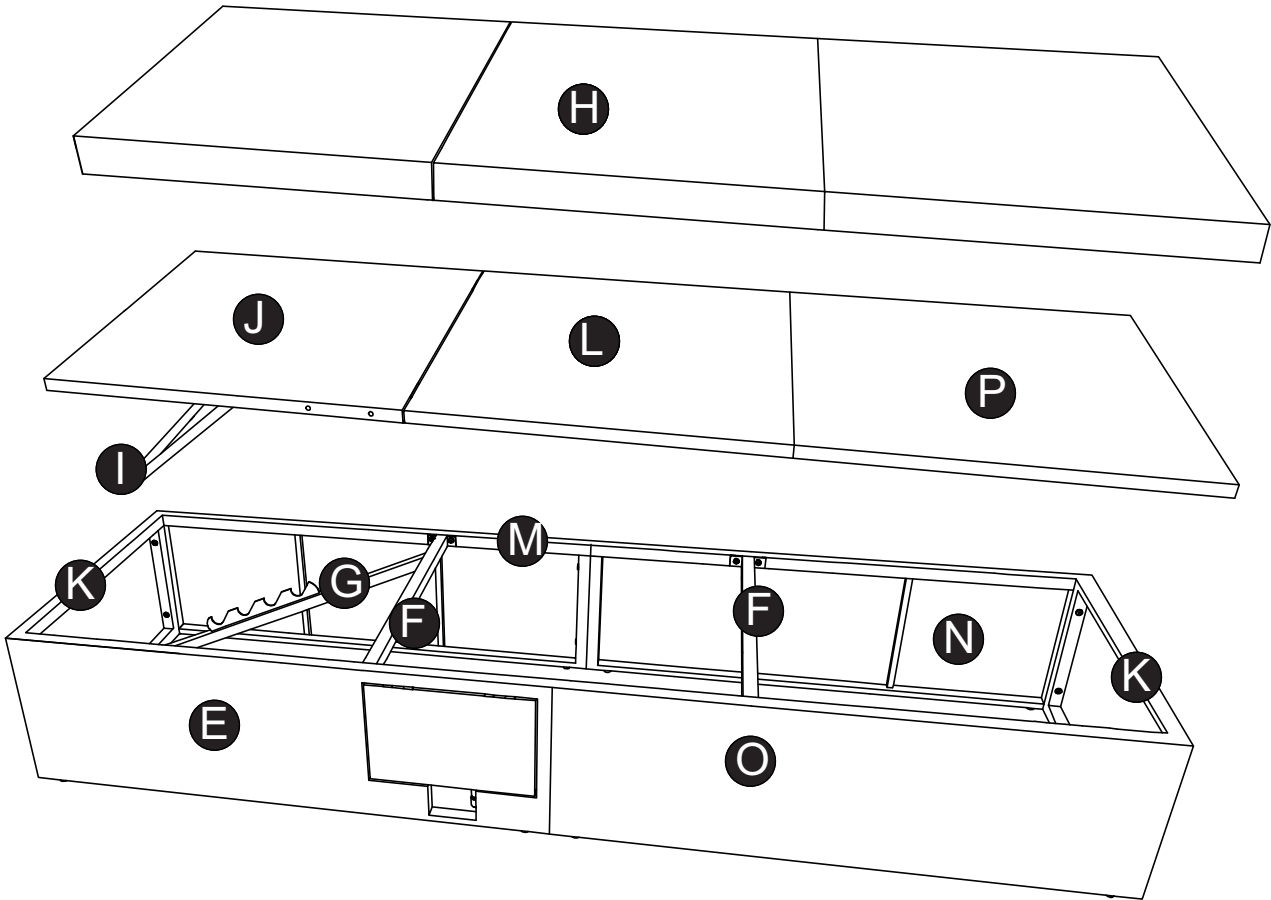
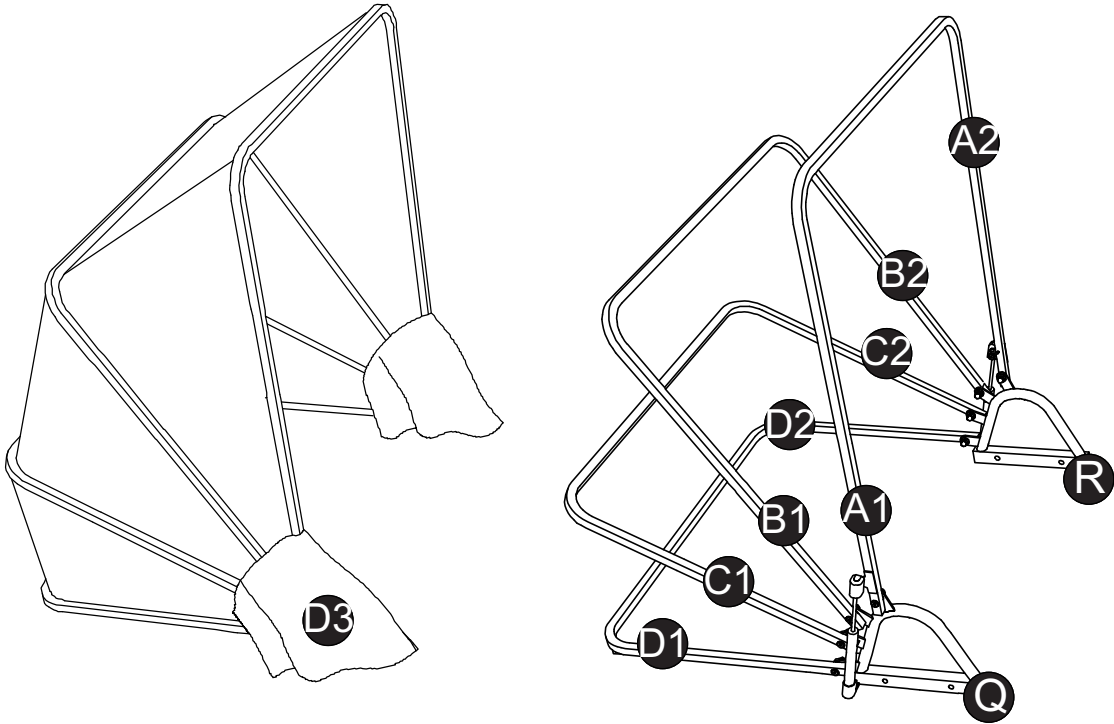


WF196877

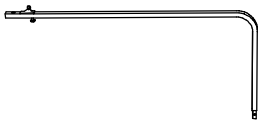







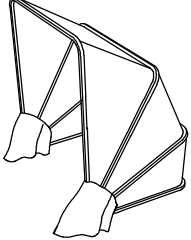
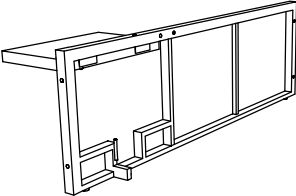
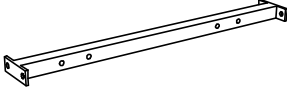
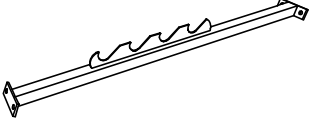
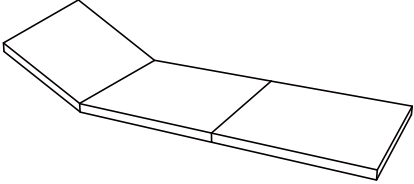
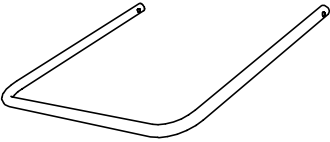
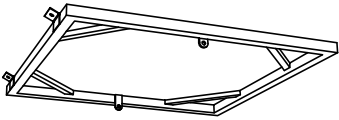
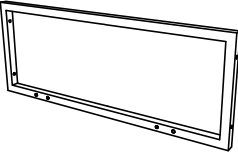
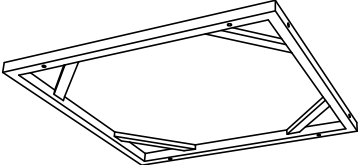
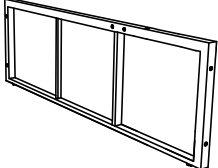
Notice:

1. 50% Tighten before fixing all screws, Allen wrench is recommended instead of an electric drill.
2. Place the item on a flat ground to adjust and make sure it remains stable.
3. Tighten up all screws with tools gradually.
4. If the screws are not aligned with holes during assembly, please loosen all the other screws to 50% and continue the assembly process.
5. If the item is not stable, please loosen all the screws, adjust it on a flat ground and tighten up all screws again.
6. Note : If one or some screws are fully tightened during assembly, chances are the others will not be aligned with holes. In addition, all the holes are designed to be relatively larger to provide more space for the adjustment of the screws.

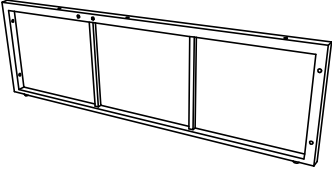
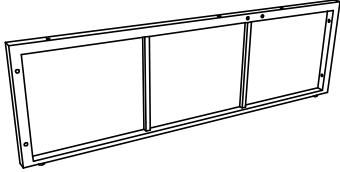
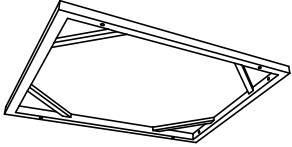
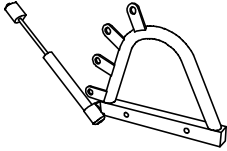
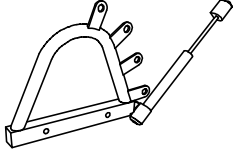
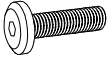

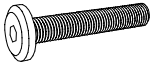
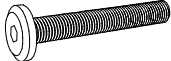

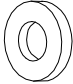



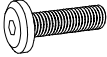

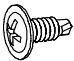
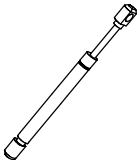
Exploded View



Part List and Hardware

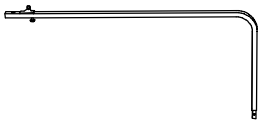
<p>A1</p>  <p>(1 PC)</p>	<p>A2</p>  <p>(1 PC)</p>	<p>B1</p>  <p>(1 PC)</p>
<p>B2</p>  <p>(1 PC)</p>	<p>C1</p>  <p>(1 PC)</p>	<p>C2</p>  <p>(1 PC)</p>
<p>D1</p>  <p>(1 PC)</p>	<p>D2</p>  <p>(1 PC)</p>	<p>D3</p>  <p>(1 PC)</p>
<p>E</p>  <p>(1 PC)</p>	<p>F</p>  <p>(2 PCS)</p>	<p>G</p>  <p>(2 PCS)</p>
<p>H</p>  <p>(1 PC)</p>	<p>I</p>  <p>(1 PC)</p>	<p>J</p>  <p>(1 PC)</p>
<p>K</p>  <p>(2 PCS)</p>	<p>L</p>  <p>(1 PC)</p>	<p>M</p>  <p>(1 PC)</p>

Part List and Hardware

<p>N</p>  <p>(1 PC)</p>	<p>O</p>  <p>(1 PC)</p>	<p>P</p>  <p>(1 PC)</p>
<p>Q</p>  <p>(1 PC)</p>	<p>R</p>  <p>(1 PC)</p>	<p>1</p>  <p>M6 x 20</p> <p>(18 PCS)</p>
<p>2</p>  <p>M6 x 35</p> <p>(7 PCS)</p>	<p>3</p>  <p>M6 x 40</p> <p>(14 PCS)</p>	<p>4</p>  <p>M6 x 45</p> <p>(8 PCS)</p>
<p>5</p>  <p>Ø6 x 14 x 1</p> <p>(18 PCS)</p>	<p>6</p>  <p>Ø6 x 16 x 3</p> <p>(2 PCS)</p>	<p>7</p>  <p>Eru M6</p> <p>(10 PCS)</p>
<p>8</p>  <p>Allen key 4x98</p> <p>(2 PCS)</p>	<p>9</p>  <p>Spanner No.10</p> <p>(1 PC)</p>	<p>10</p>  <p>M6 x 25</p> <p>(7 PCS)</p>
<p>11</p>  <p>(1 PC)</p>	<p>12</p>  <p>M6 x 12</p> <p>(4 PCS)</p>	<p>13</p>  <p>(1 PC)</p>

CARTON CONTENT:

Wf196877



A1 x1



A2 x1



B1 x1



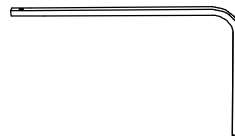
B2 x1



C1 x1



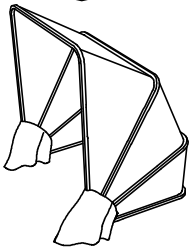
C2 x1



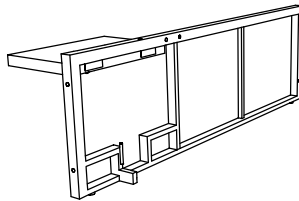
D1 x1



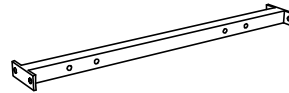
D2 x1



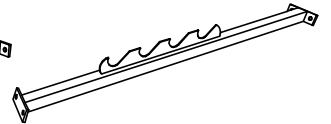
D3 x1



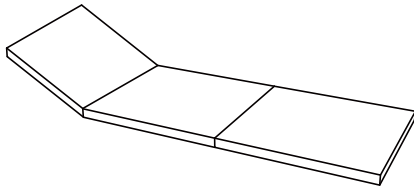
E x1



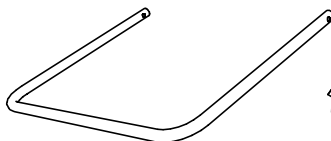
F x2



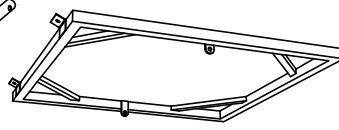
G x2



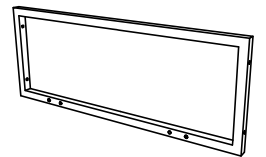
H x1



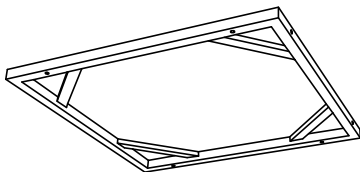
I x1



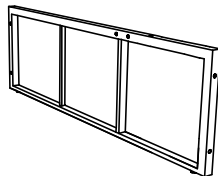
J x1



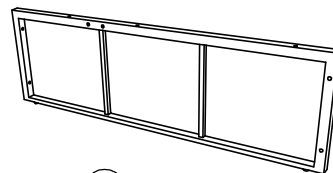
K x2



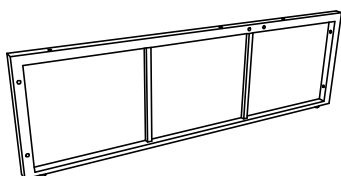
L x1



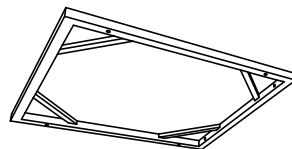
M x1



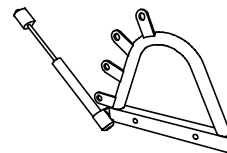
N x1



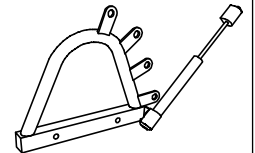
O x1



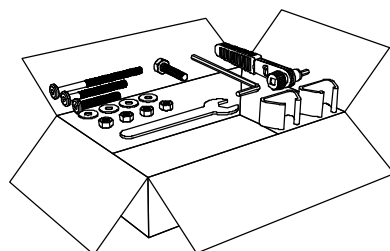
P x1



Q x1



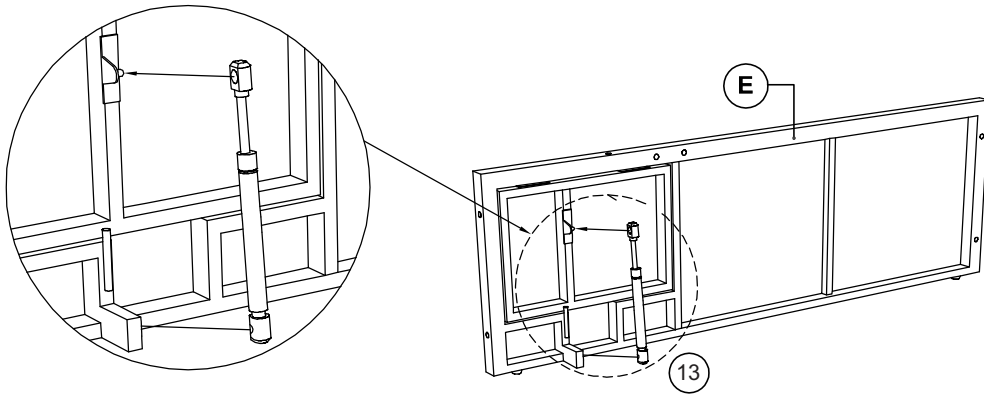
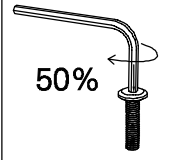
R x1



Hardware

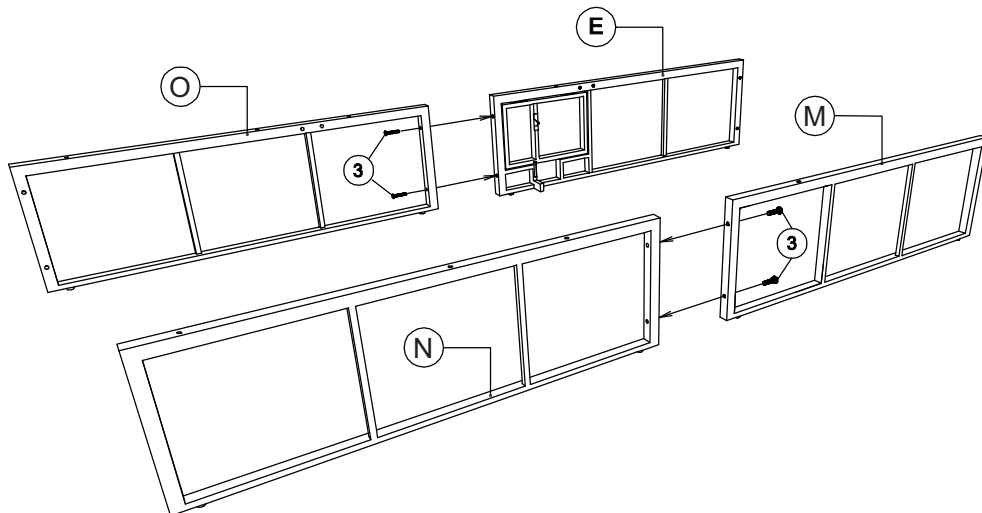
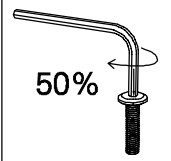
AI INCLUDED BOX-WF196877

STEP 1



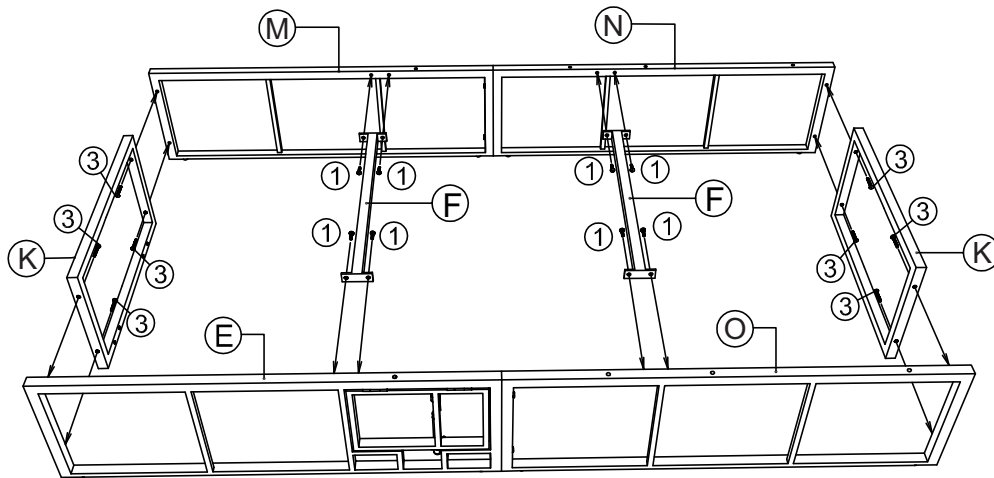
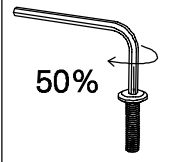
⑬*1 E*1

STEP 2



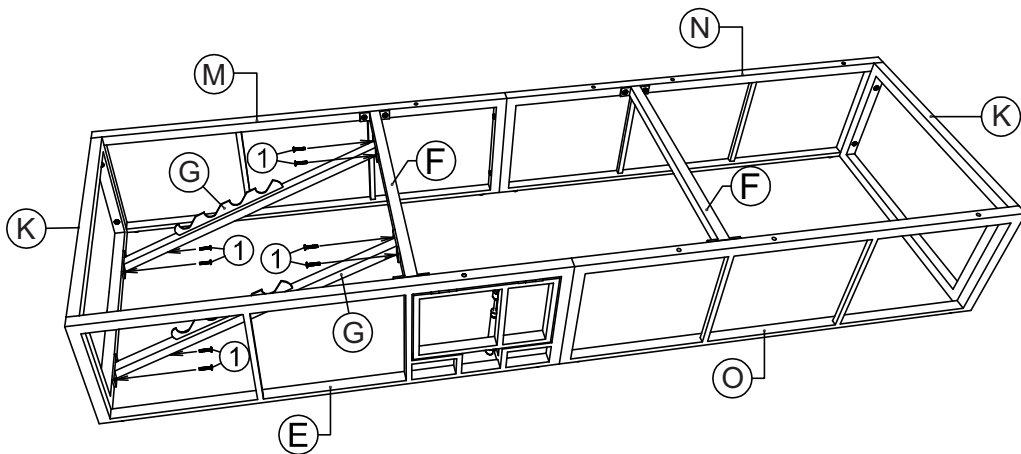
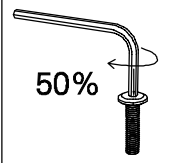
③*4 E*1 M*1 N*1 O*1

STEP 3



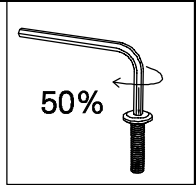
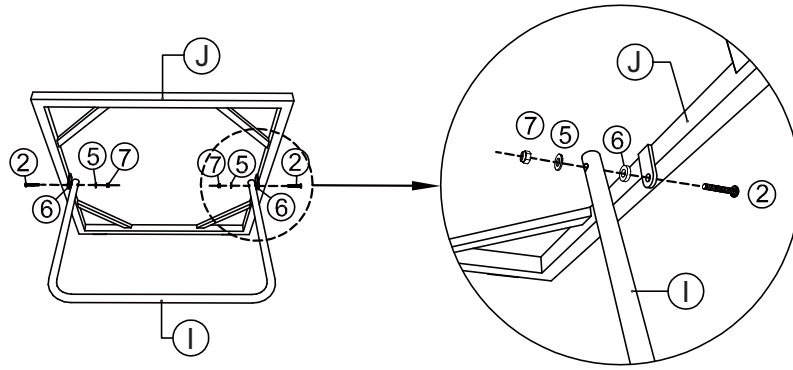
- ① * 8
- ③ * 8
- F * 2
- K * 2

STEP 4



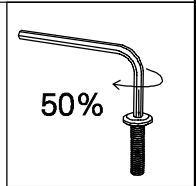
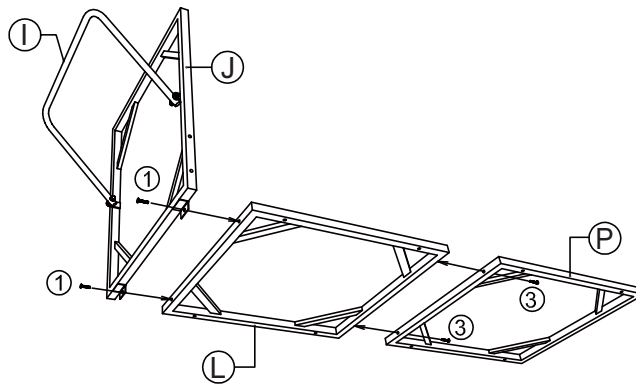
- ① * 8
- G * 2

STEP 5



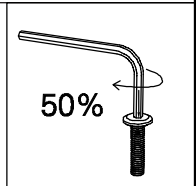
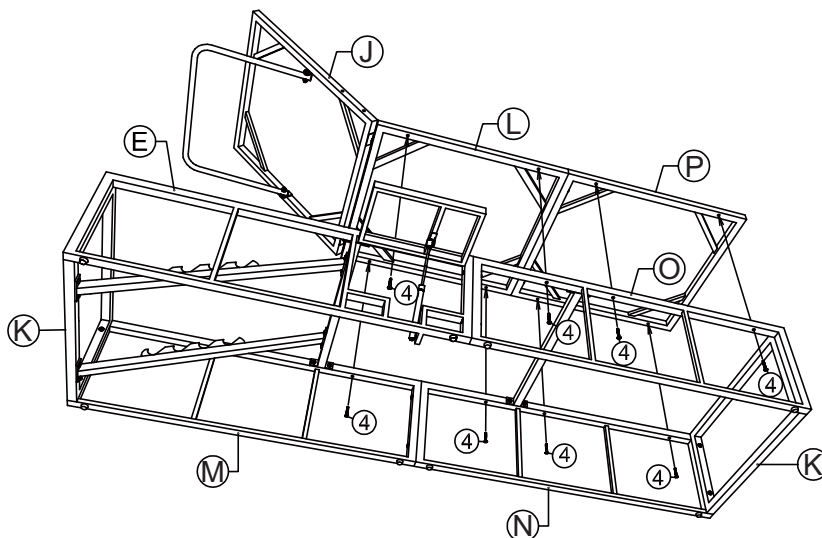
- ② *2
- ⑤ *2
- ⑥ *2
- ⑦ *2
- I *1
- J *1

STEP 6



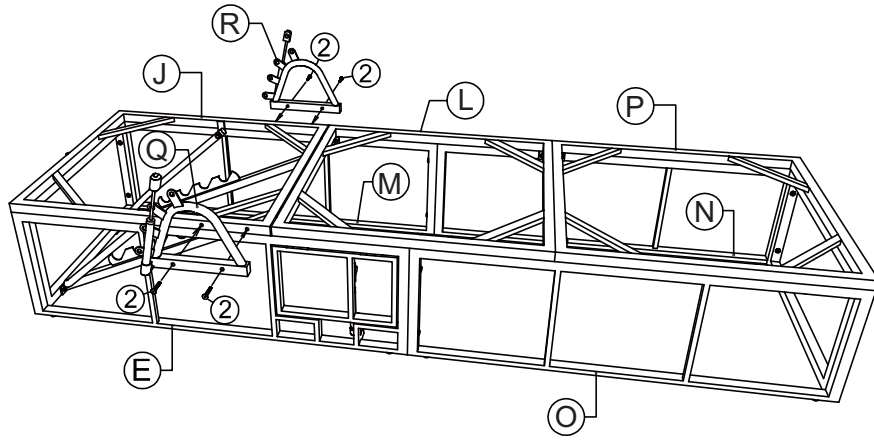
- ① *2
- ③ *2
- L *1
- P *1

STEP 7



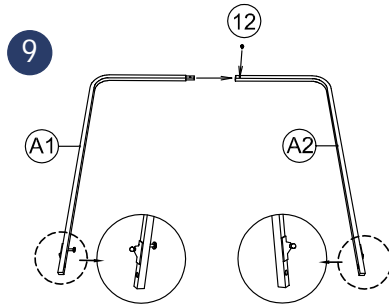
- ④ *8

STEP 8



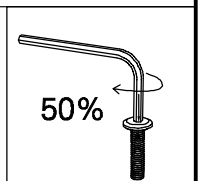
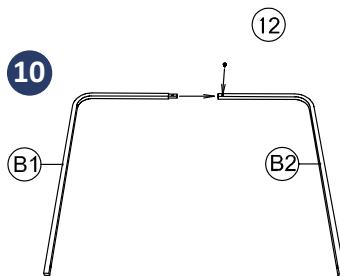
- ②*4
- Q*1
- R*1

STEP 9



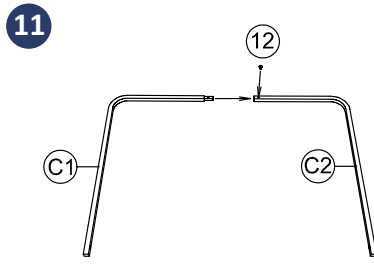
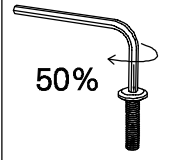
- ⑫*1
- A1*1
- A2*1

STEP 10



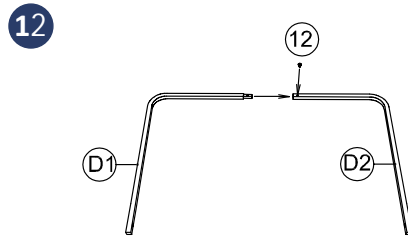
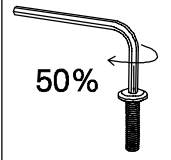
- ⑫*1
- B1*1
- B2*1

STEP 11



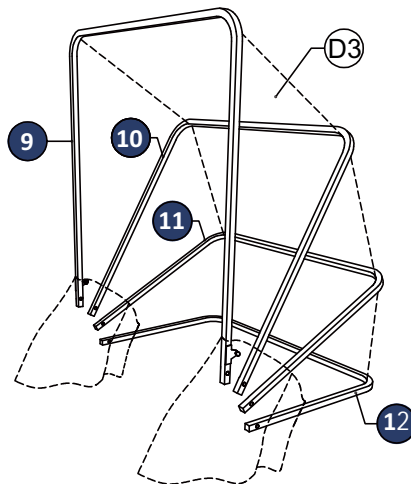
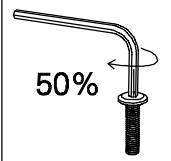
12*1 C1*1 C2*1

STEP 12



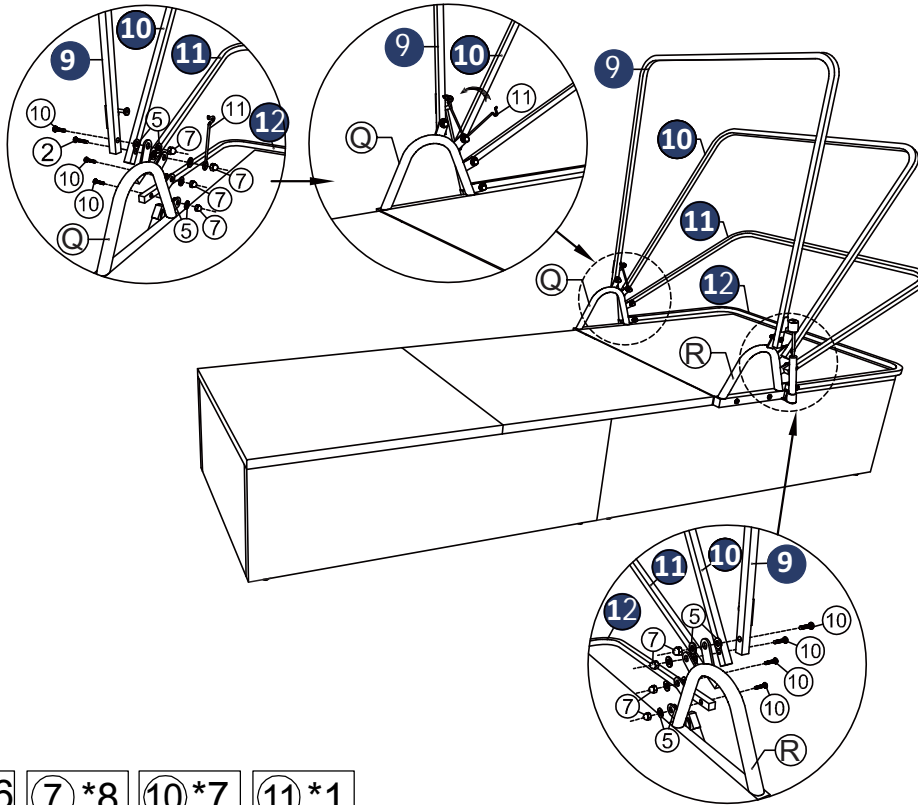
12*1 D1*1 D2*1

STEP 13



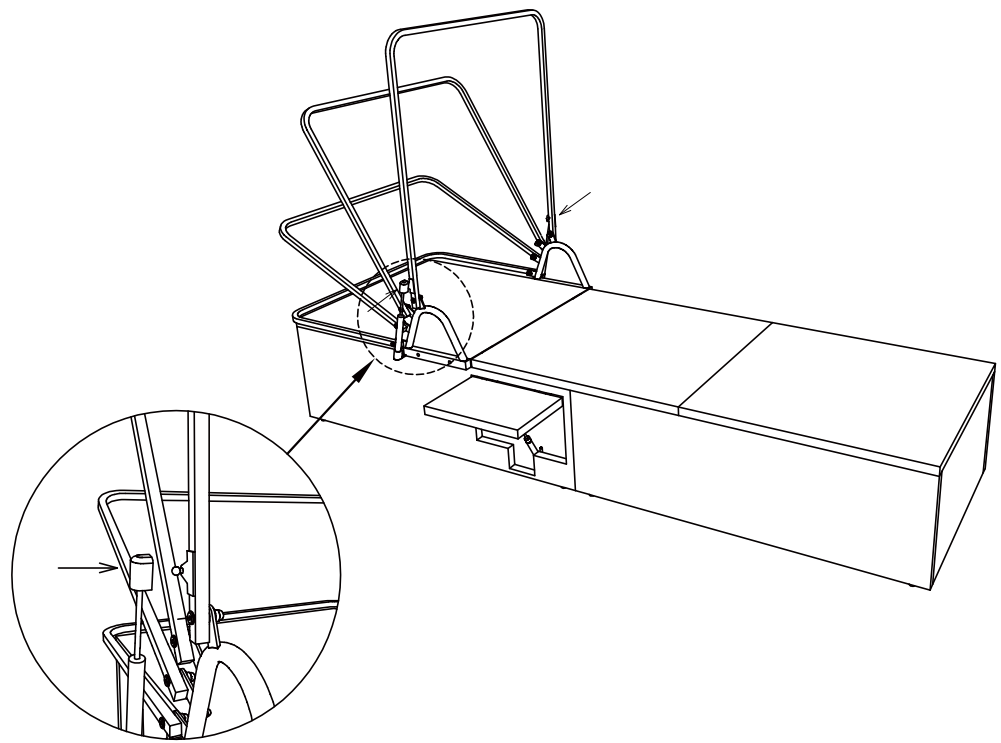
D3*1

STEP 14

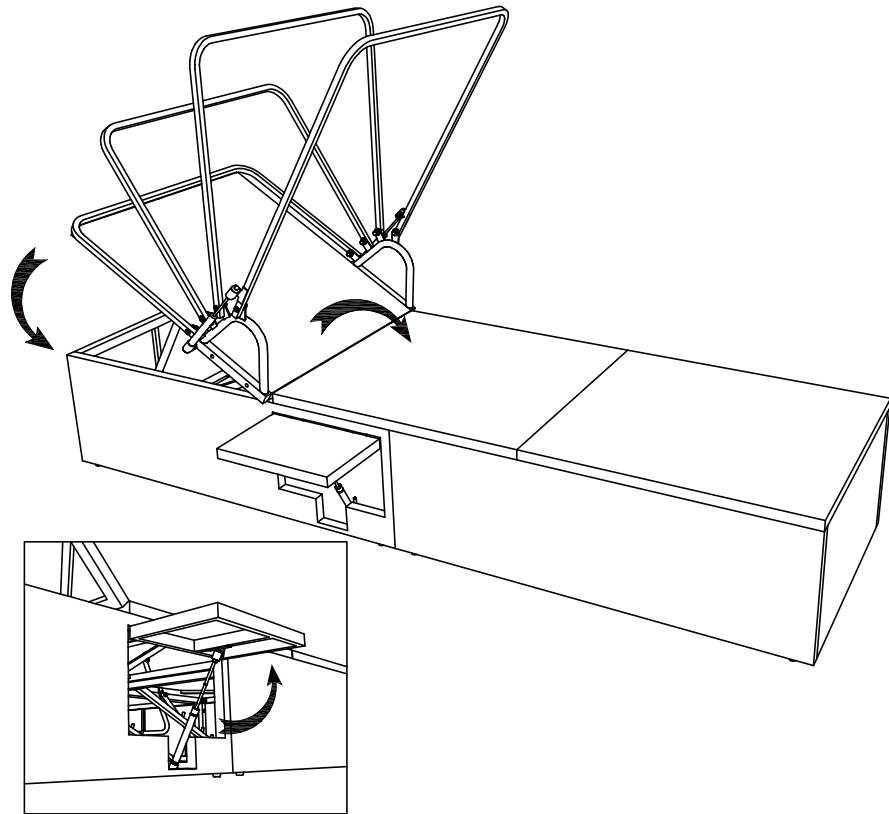


- ②*1
- ⑤*16
- ⑦*8
- ⑩*7
- ⑪*1

STEP 15



STEP 16



STEP 17

