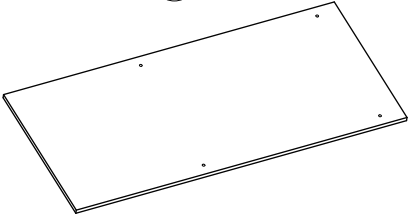
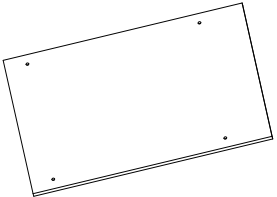
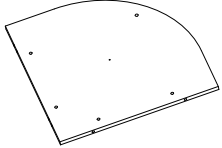
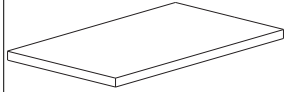
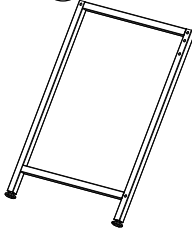
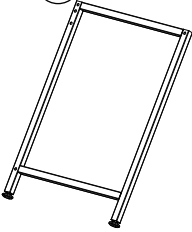
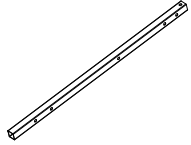
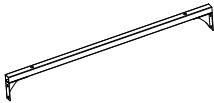

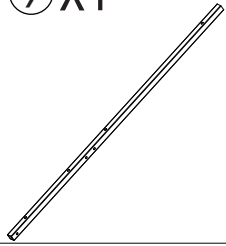

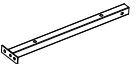
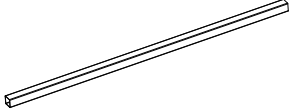


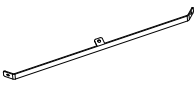
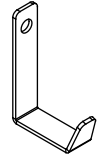
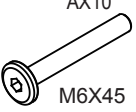
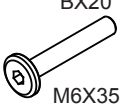




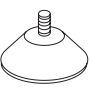


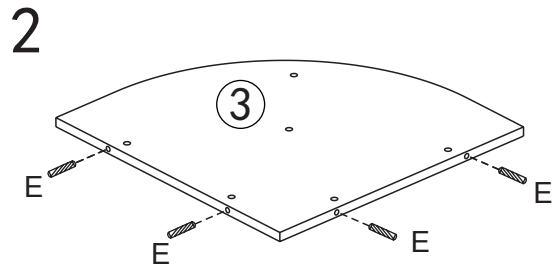
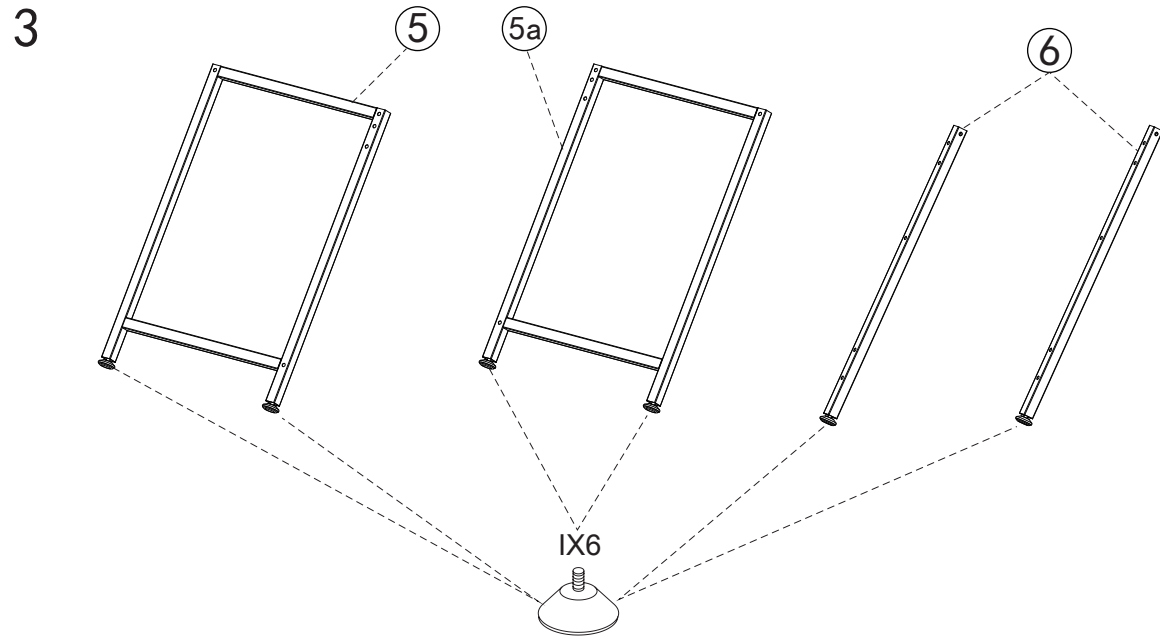
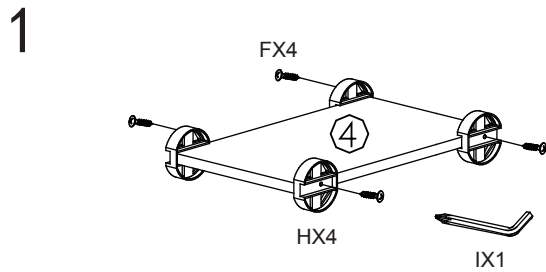


# L shaped desk Assembly Instruction

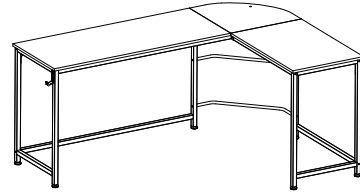
## Components

① X1 		② X1 		③ X1 		④ X1 		⑤ X1 		⑤a X1 		⑥ X2 		⑦ X1 			
⑧ X1 		⑨ X1 		⑩ X1 		⑪ X1 		⑫ X1 		⑬ X1 		⑭ X2 		⑮ X1 		⑯ X1 	
AX10 M6X45 		BX20 M6X35 		CX9 M6X12 		DX4 M6 		EX4 φ8x40mm 		FX4 ST4X16 		GX6 		HX4 		IX1 	

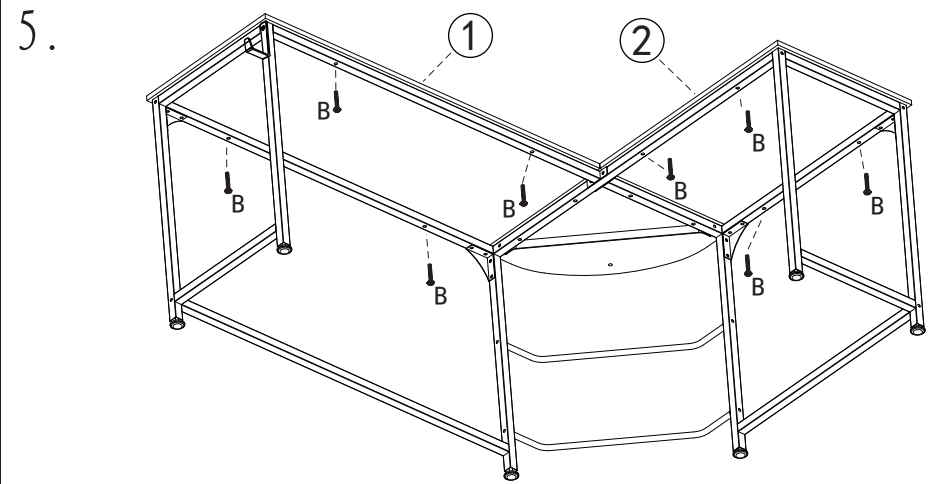
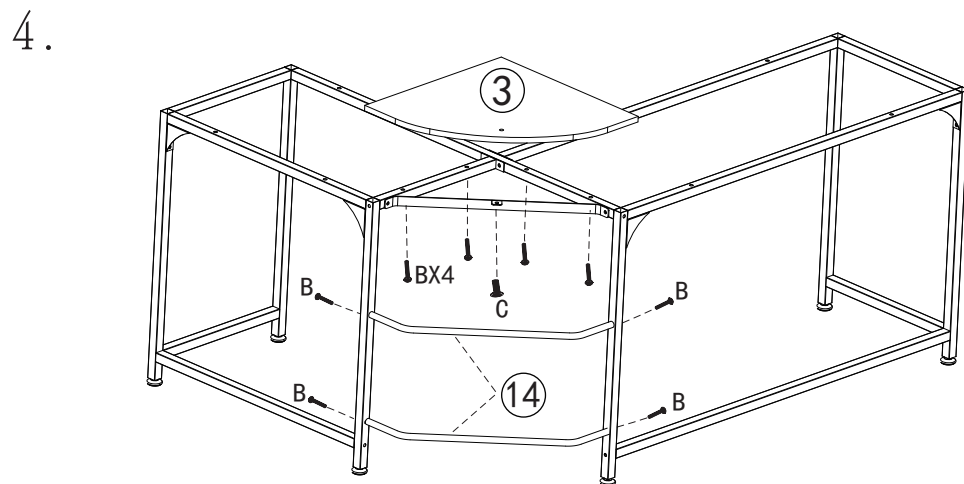
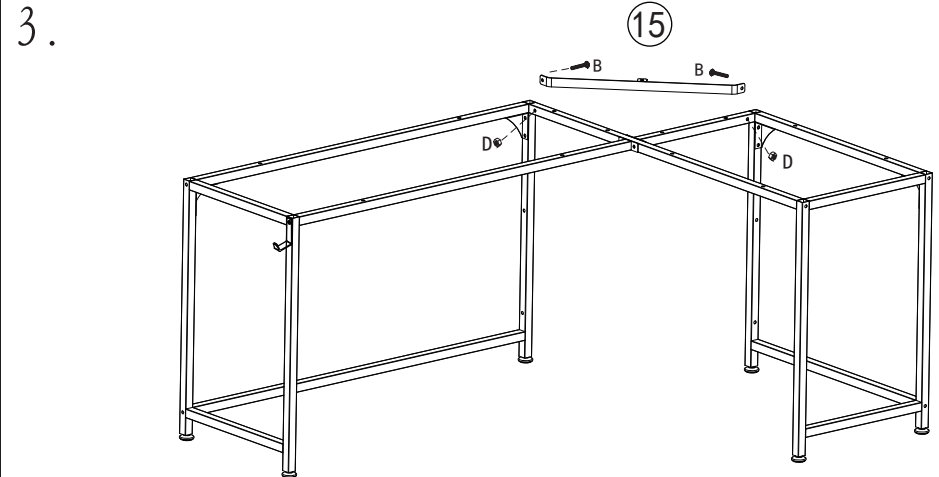
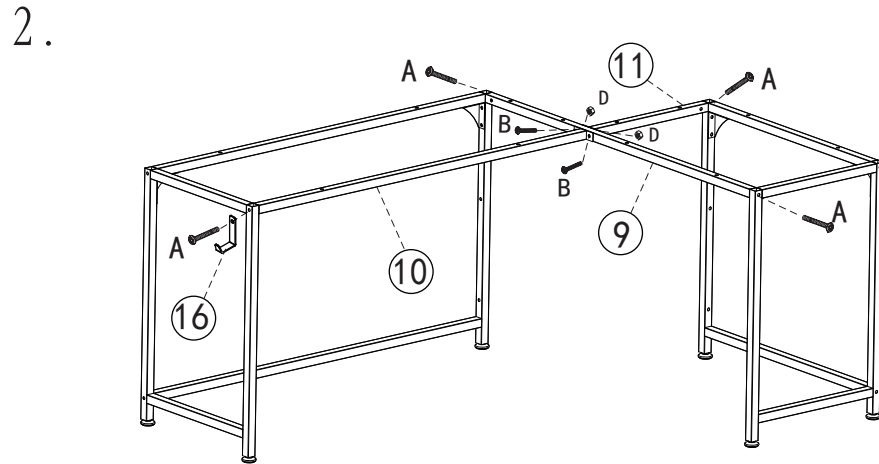
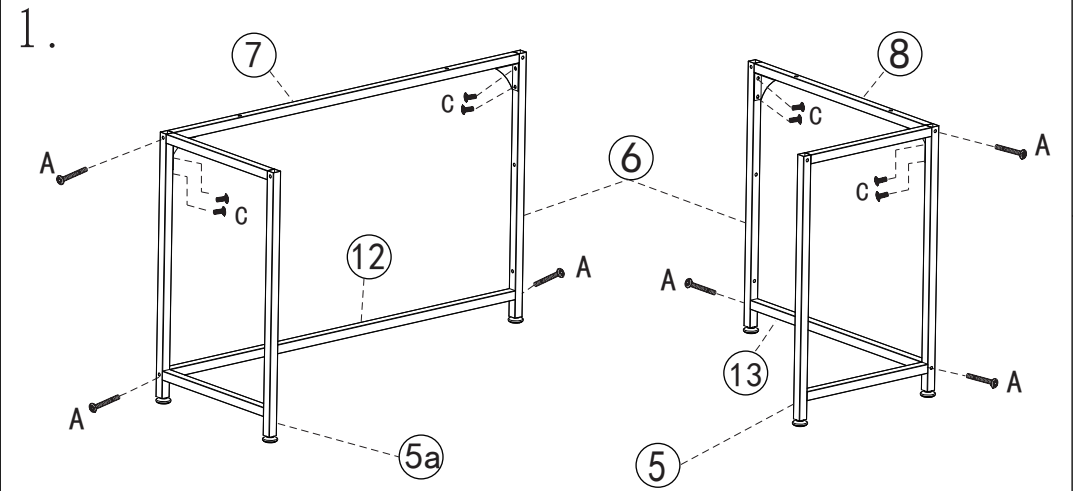


# Program A

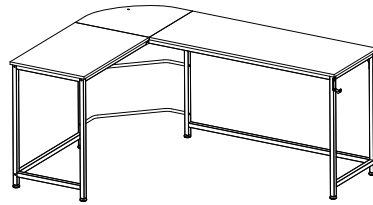
## Installation tips:



- 1, Align the fittings and accessories when installing the frame, then tighten the screws.
- 2, When installing the board, first screw all the screw holes and tighten them.



# Program B



## Installation tips:

- 1, Align the fittings and accessories when installing the frame, then tighten the screws.
- 2, When installing the board, first screw all the screw holes and tighten them.

