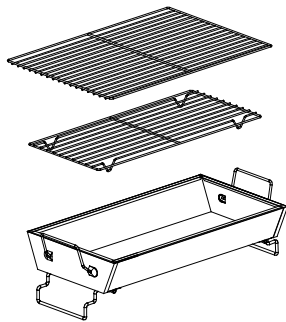
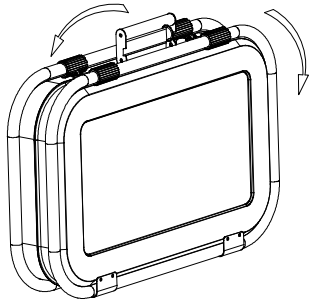
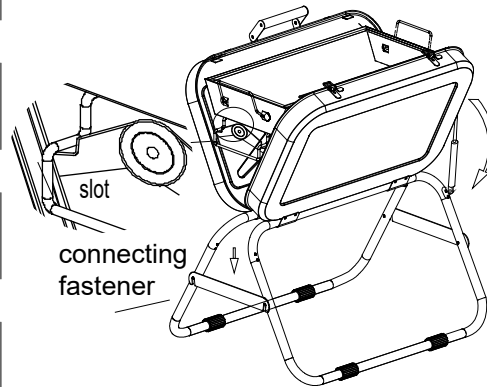
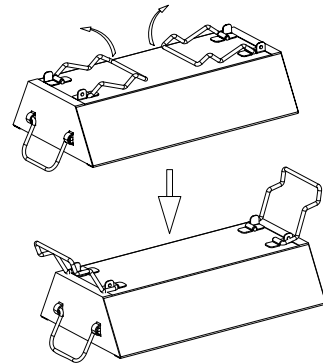


Instructions

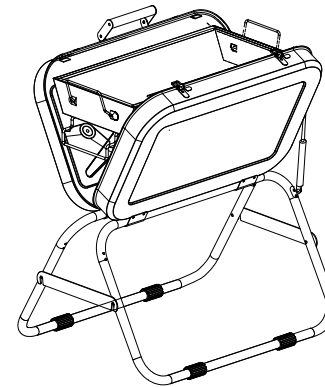
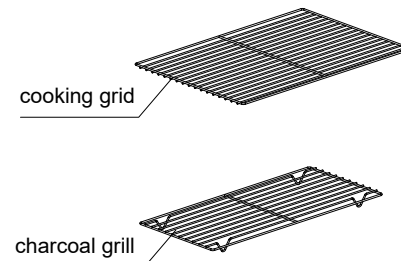
1: Open the hasp and the grill body, take out the parts.



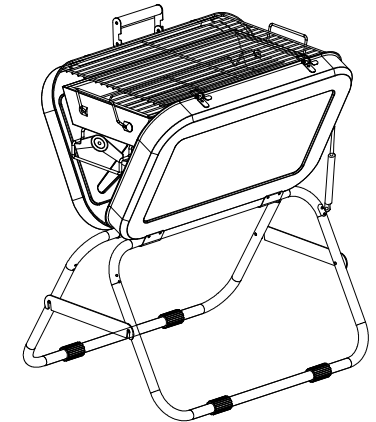
2: A. Rotating the foot stool, install the connecting fastener between the legs.
B. Open the grill, put the fire bowl into the slot.



3: Put all the parts in.



4: Assembling finished.



Notes:

1. It should be used after all spare parts are set up.
2. Keep away from children while using.
3. Don't move BBQ grill or touch hot grill body to avoid burn.
4. Don't pour any combustible liquid into burning charcoal.
5. Make sure the fire is completely extinct before leaving.
6. To protect the environment, please take away all rubbish.