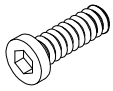


Assembly Instruction

SKU:WF192866AAD

A



M6*10X12

B



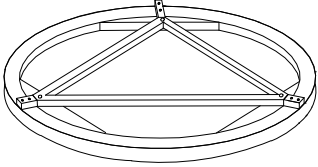
X12

C



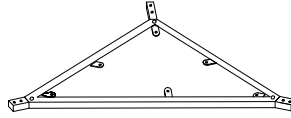
X1

D



X1

E



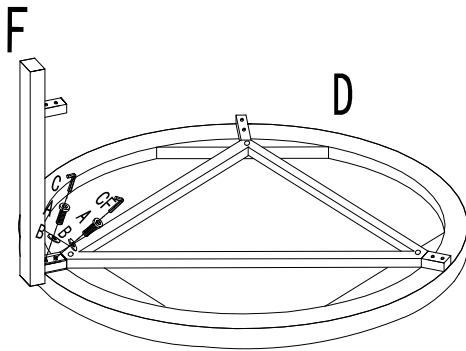
X1

F

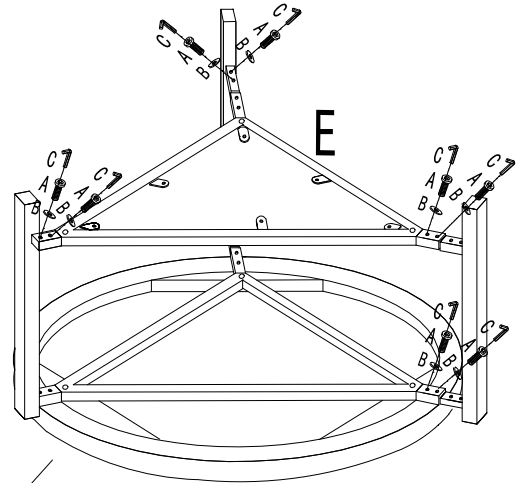


X3

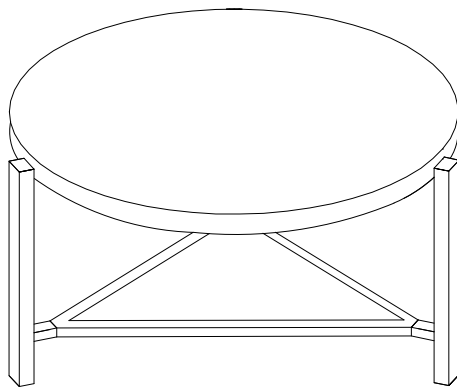
1



2



3



Thank you for purchasing this quality product. Be sure to check all packing material carefully for small parts, which may have come loose inside carton during shipment. Identify and count all parts and compare with the parts list below.

If the item is arrived damaged or any other problems, please be sure to attach the order number and the picture showing the matter, contact our official E-mail address: csr@merax.com. We will provide a prompt resolution at the earliest convenience. Thank you for your understanding and cooperation.