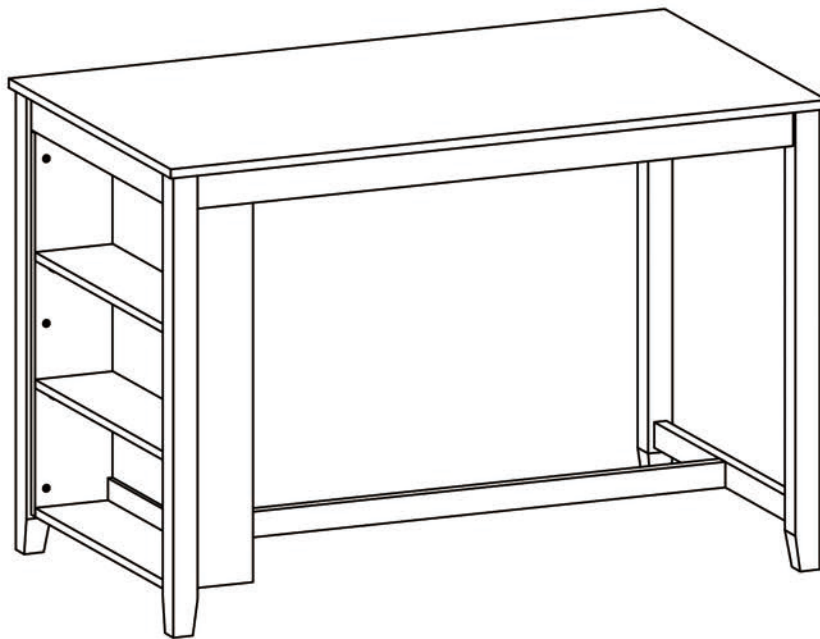


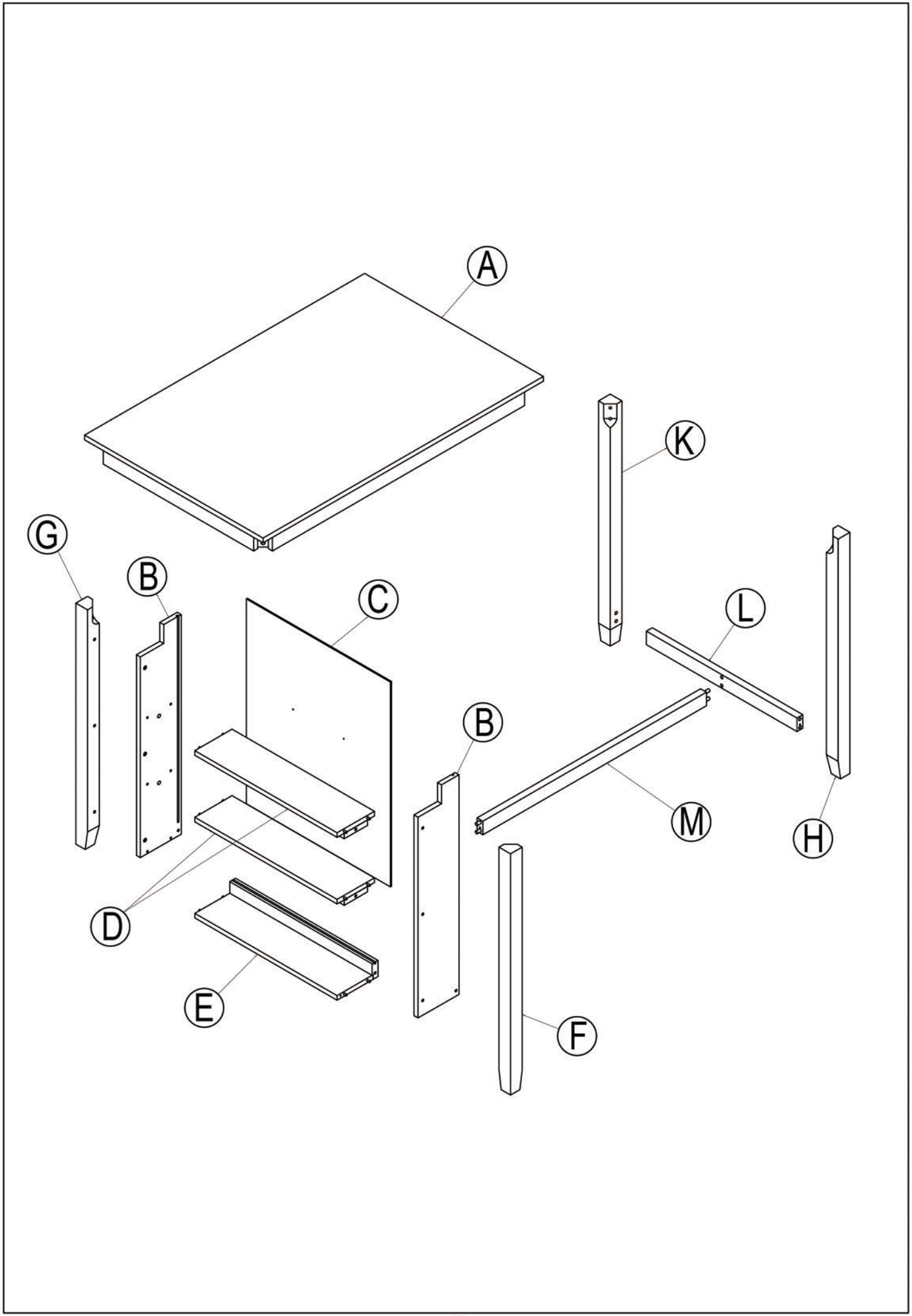
ASSEMBLY INSTRUCTIONS

ITEM NO.WF197989AAE



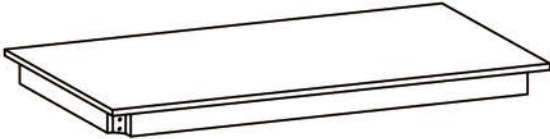
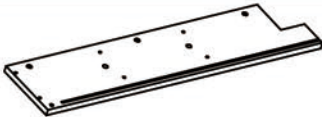
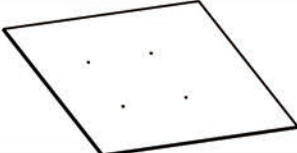
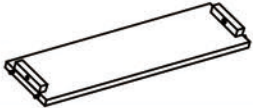







IMPORTANT NOTE :








- ① PLACE ALL PARTS ON A CLEAN AND SMOOTH SURFACE SUCH AS A RUG OR CARPET TO AVOID THE PARTS FROM BEING SCRATCHED.
- ② BEFORE YOU BEGIN,KINDLY FOLLOW THE ASSEMBLY INSTRUCTIONS STEP BY STEP.
- ③ DO NOT TIGHTEN ALL SCREWS AND BOLTS UNTIL THE CHAIR IS FULLY SET-UP.



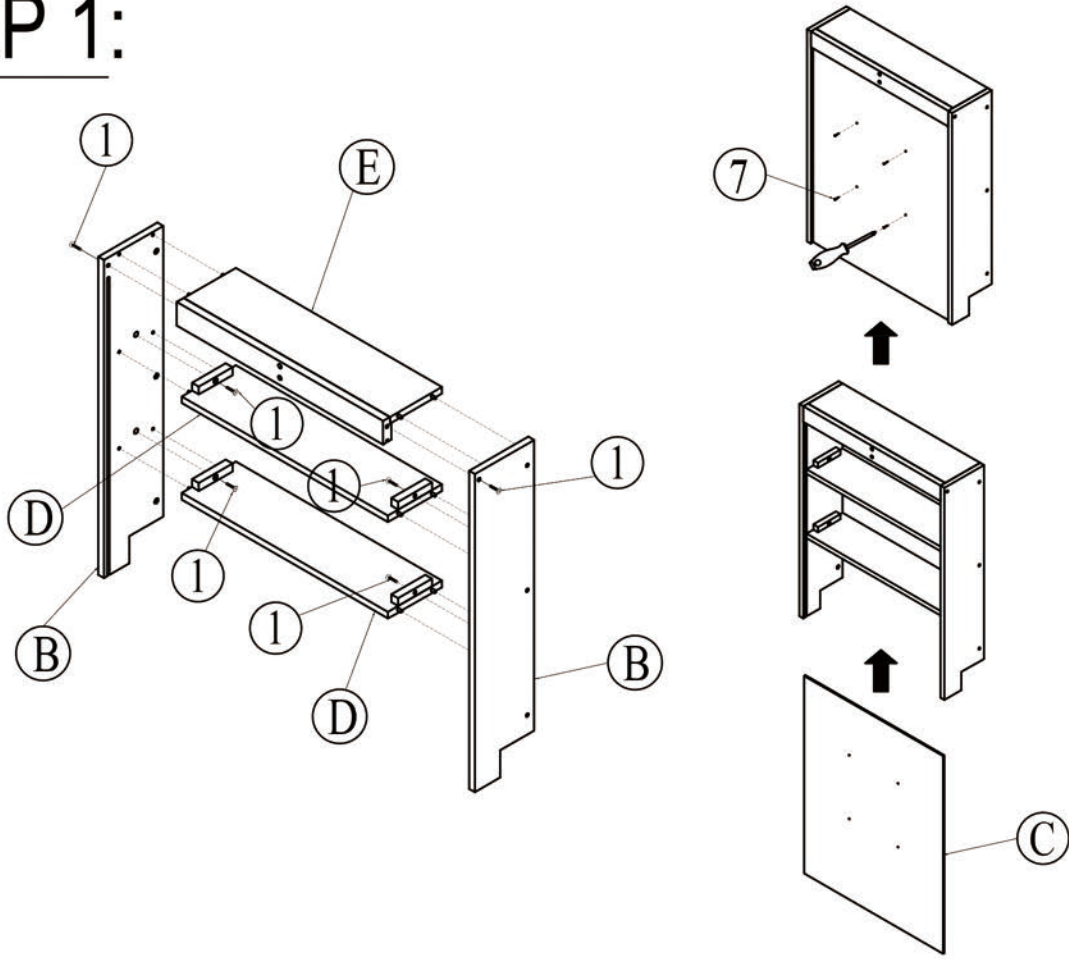
Part List

Hardware List

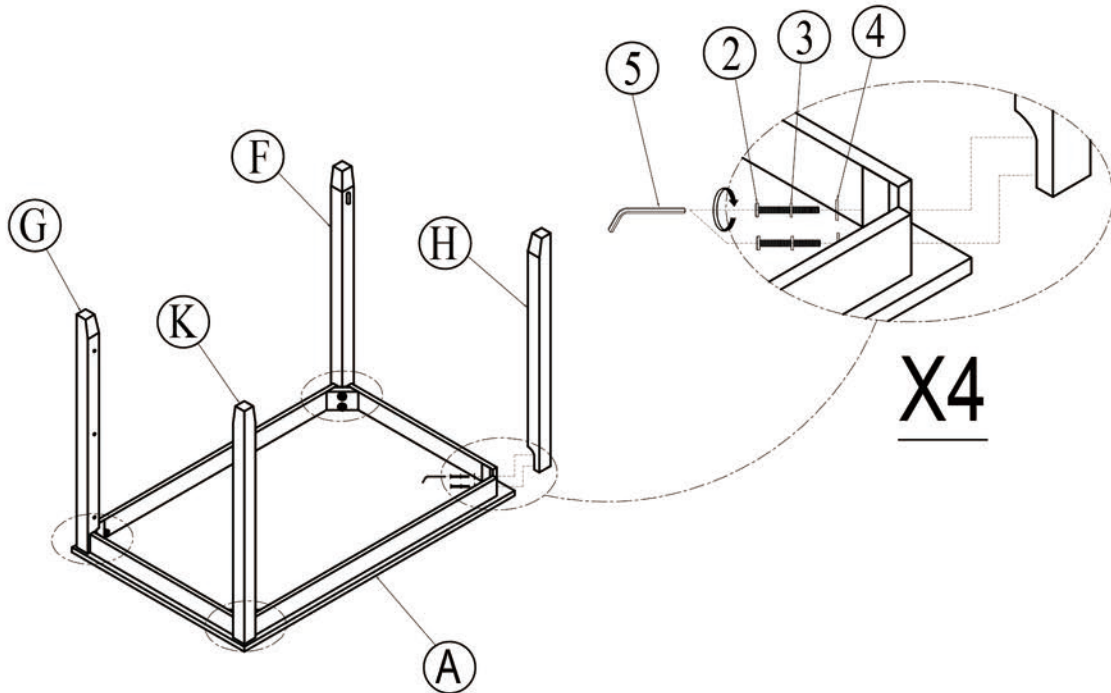
| |
|---|
| <p>(A)</p>  |
| <p>TOP TABLE (1pc)</p> |
| <p>(B)</p>  |
| <p>SIDE PANEL (2pcs)</p> |
| <p>(C)</p>  |
| <p>BACK PANEL (1pc)</p> |
| <p>(D)</p>  |
| <p>BETWEEN PANEL (2pcs)</p> |
| <p>(E)</p>  |
| <p>BOTTOM PANEL (1pcs)</p> |
| <p>(F)</p>  |
| <p>RIGHT FRONT LEG (1pc)</p> |
| <p>(G)</p>  |
| <p>LEFT FRONT LEG (1pc)</p> |
| <p>(H)</p>  |
| <p>RIGHT REAR LEG (1pc)</p> |
| <p>(K)</p>  |
| <p>LEFT REAR LEG (1pc)</p> |
| <p>(L)</p>  |
| <p>SHORT STRETCHER (1pc)</p> |
| <p>(M)</p>  |
| <p>LONG STRETCHER (1pc)</p> |

| |
|---|
| <p>(1)</p>  |
| <p>Ø 1/4" x 25mm BOLT (12pcs)</p> |
| <p>(2)</p>  |
| <p>Ø 1/4" x 70mm BOLT (8pcs)</p> |
| <p>(3)</p>  |
| <p>Ø5/16" x 13mm FLAT WASHER (8pcs)</p> |
| <p>(4)</p>  |
| <p>Ø5/16" x 19mm LOCK WASHER (8pcs)</p> |
| <p>(5)</p>  |
| <p>4mm ALLEN KEY (1pc)</p> |
| <p>(6)</p>  |
| <p>Ø4 x 38mm WOOD SCREWS (4pcs)</p> |
| <p>(7)</p>  |
| <p>Ø3.5 x 12mm WOOD SCREWS (4pcs)</p> |

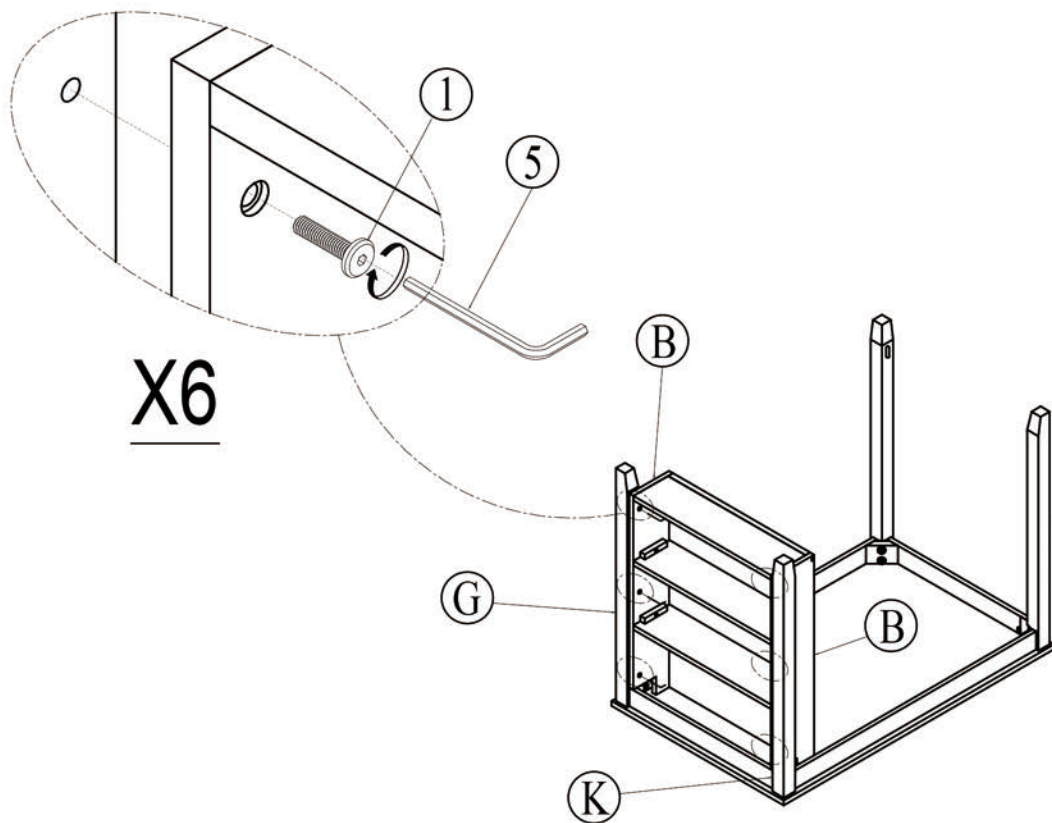
STEP 1:



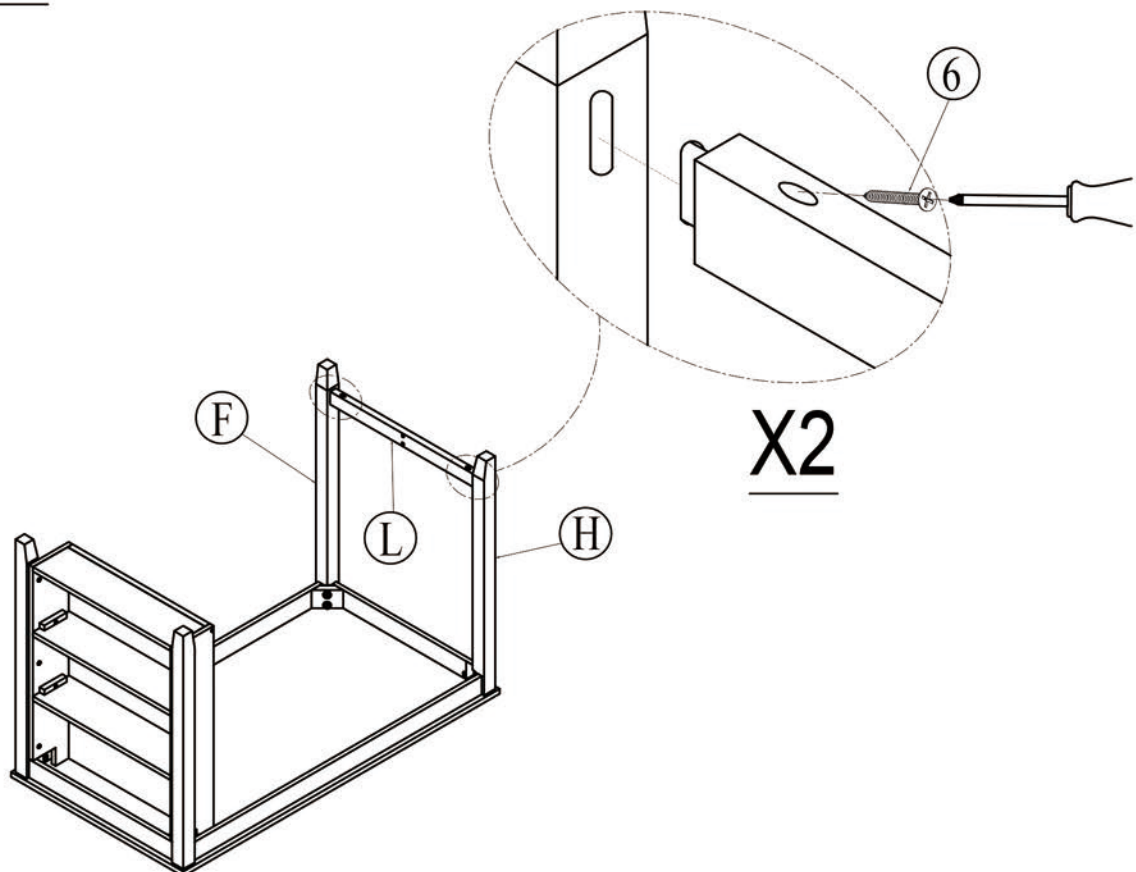
STEP 2:



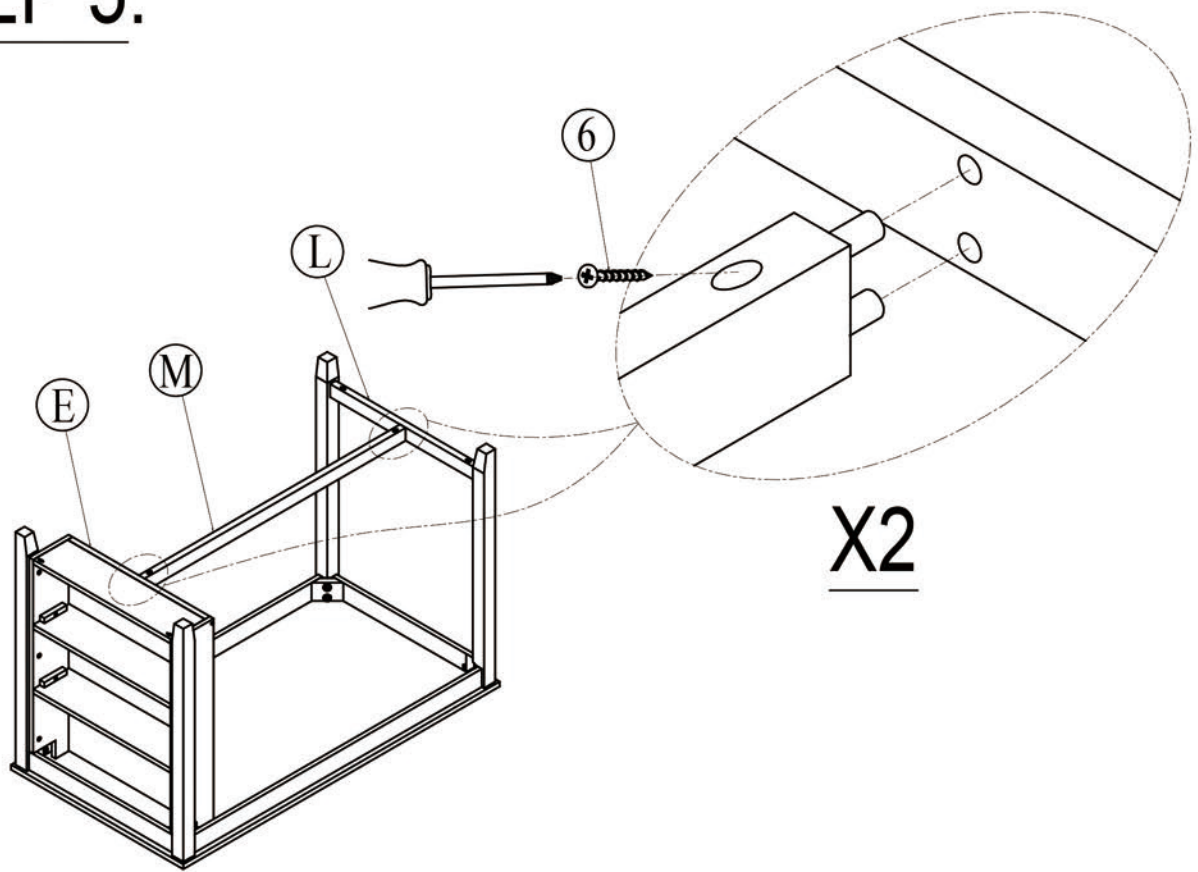
STEP 3:



STEP 4:

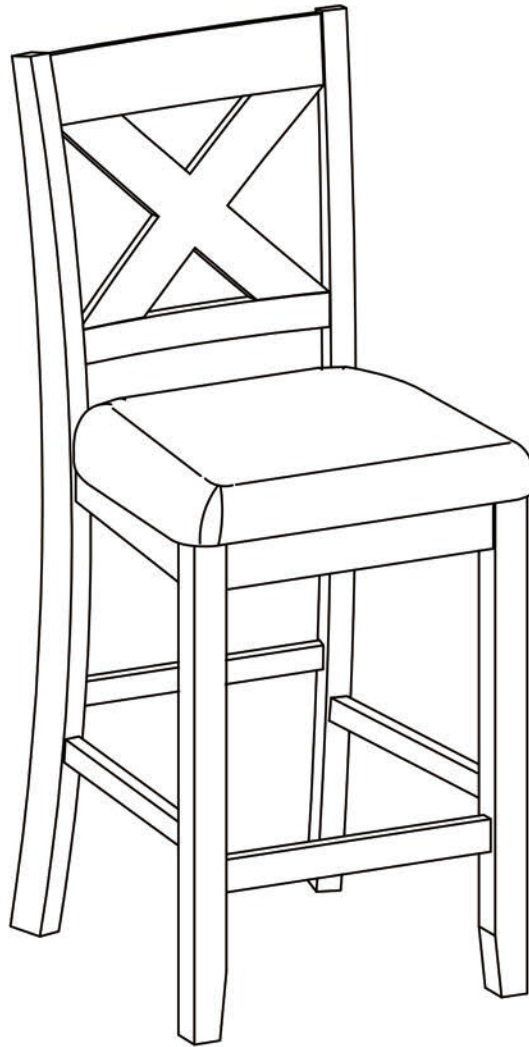


STEP 5:



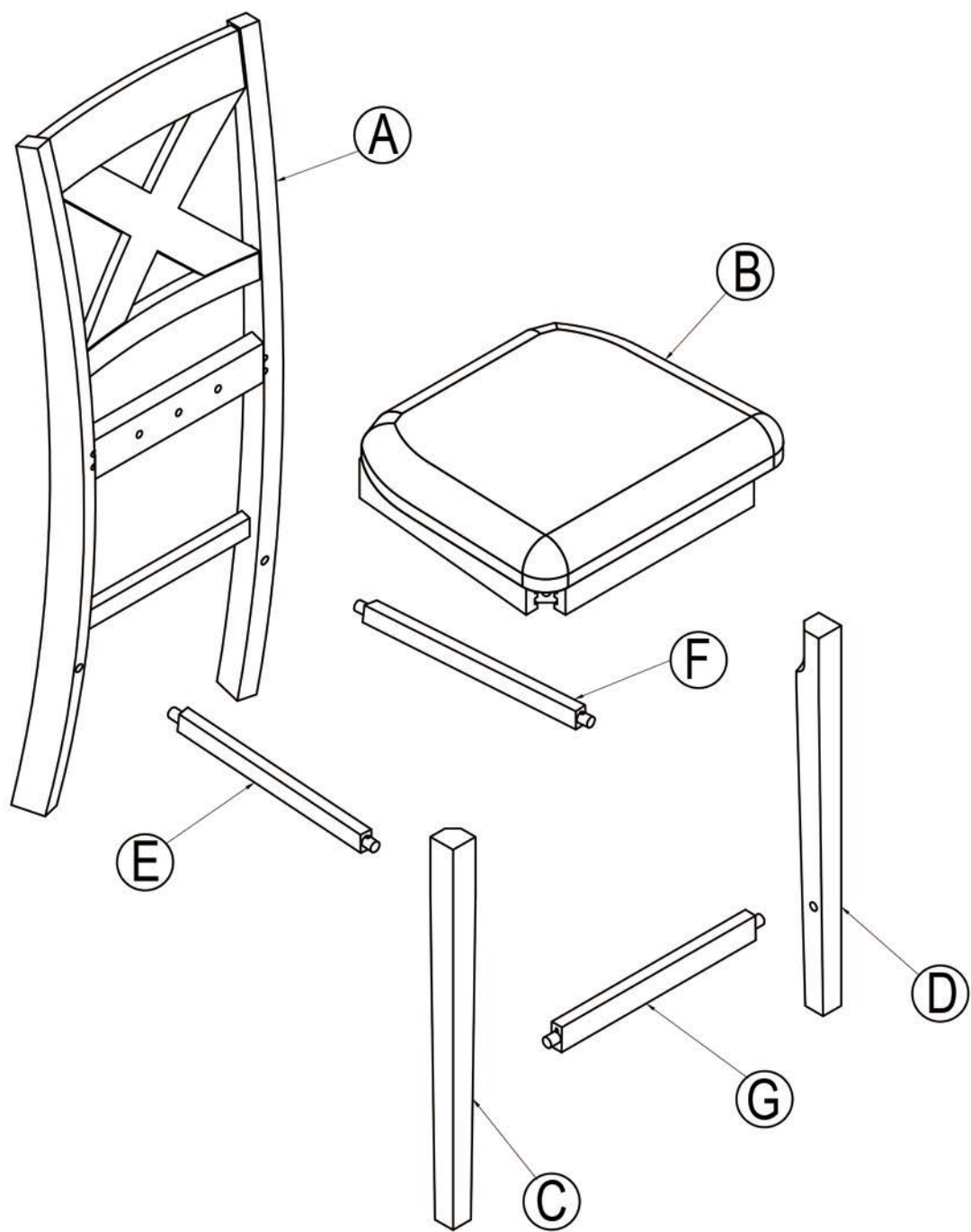
ASSEMBLY INSTRUCTIONS

ITEM NO.WF197990AAE



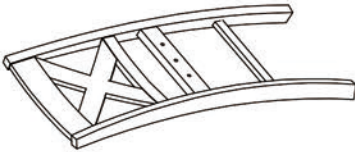

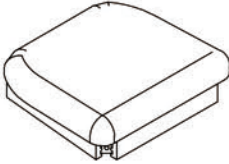



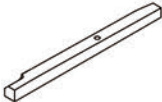


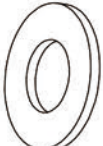



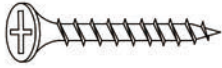
IMPORTANT NOTE :

- ① PLACE ALL PARTS ON A CLEAN AND SMOOTH SURFACE SUCH AS A RUG OR CARPET TO AVOID THE PARTS FROM BEING SCRATCHED.
- ② BEFORE YOU BEGIN,KINDLY FOLLOW THE ASSEMBLY INSTRUCTIONS STEP BY STEP.
- ③ DO NOT TIGHTEN ALL SCREWS AND BOLTS UNTIL THE CHAIR IS FULLY SET-UP.

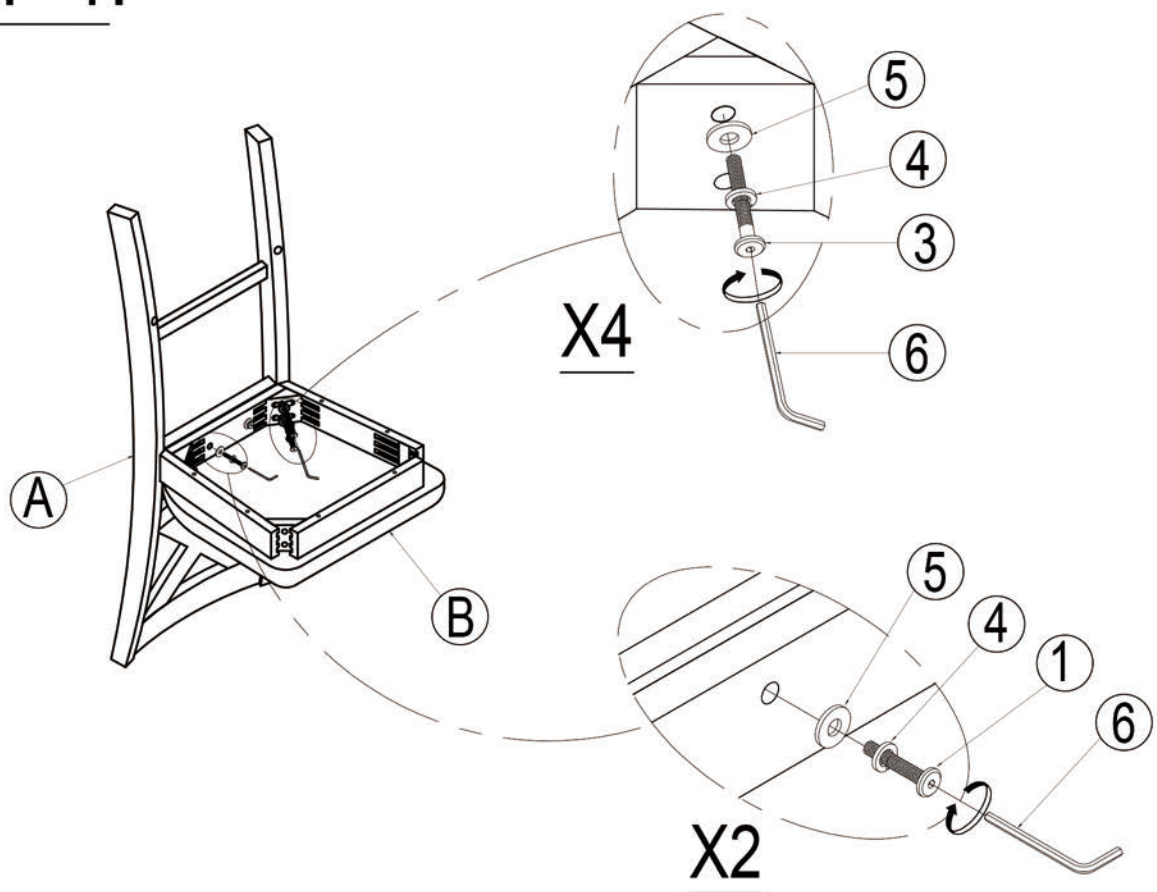


Part List

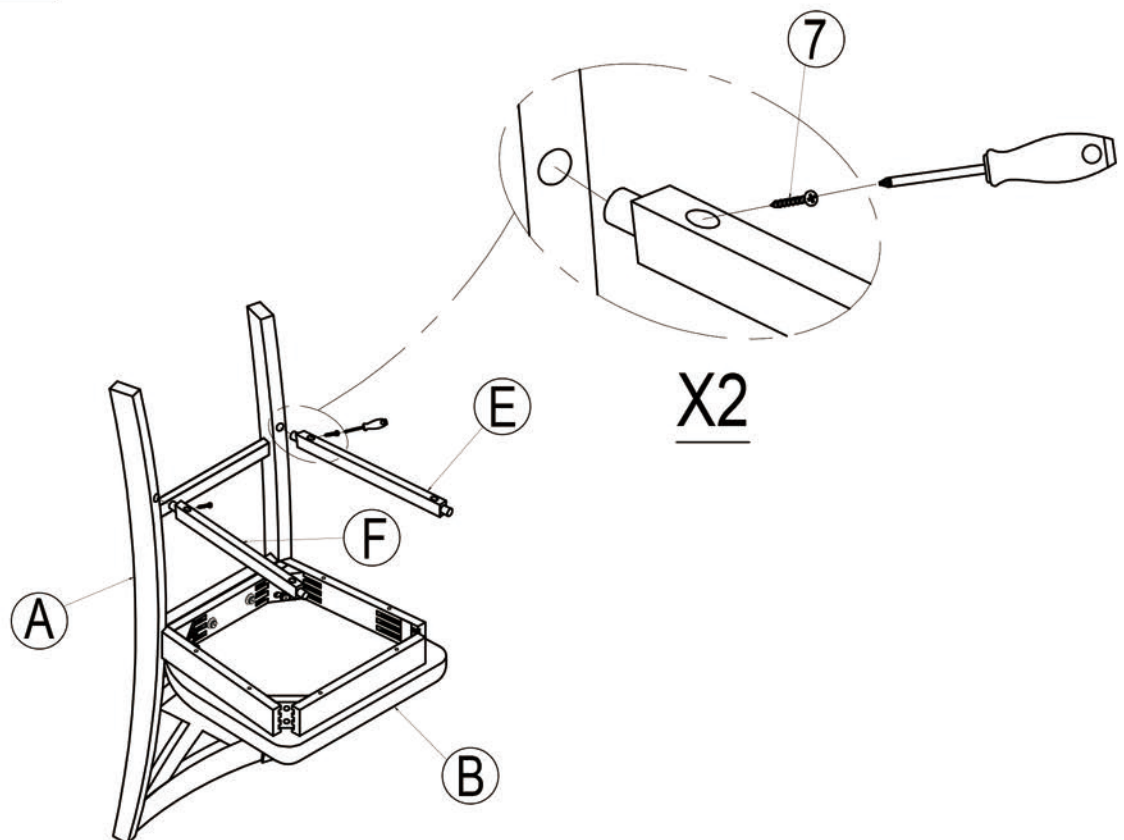
Hardware List

| | |
|--|---|
| <p>(A)</p>  <p>BACK FRAME (2pcs)</p> | <p>①</p>  <p>Ø 1/4" x 40mm</p> <p>BOLT (4pcs)</p> |
| <p>(B)</p>  <p>SEAT FRAME (2pcs)</p> | <p>②</p>  <p>Ø 1/4" x 60mm</p> <p>BOLT (8pcs)</p> |
| <p>(C)</p>  <p>LEG LEFT (2pcs)</p> | <p>③</p>  <p>Ø 1/4" x 75mm</p> <p>BOLT (8pcs)</p> |
| <p>(D)</p>  <p>LEG RIGHT (2pcs)</p> | <p>④</p>  <p>Ø5/16" x 13mm</p> <p>FLAT WASHER (20pcs)</p> |
| <p>(E)</p>  <p>LEFT SIDE STRETCHER (2pcs)</p> | <p>⑤</p>  <p>Ø5/16" x 19mm</p> <p>LOCK WASHER (20pcs)</p> |
| <p>(F)</p>  <p>RIGHT SIDE STRETCHER (2pcs)</p> | <p>⑥</p>  <p>4mm</p> <p>ALLEN KEY (1pc)</p> |
| <p>(G)</p>  <p>FRONT STRETCHER (2pcs)</p> | <p>⑦</p>  <p>Ø4 x 38mm</p> <p>WOOD SCREWS (12pcs)</p> |

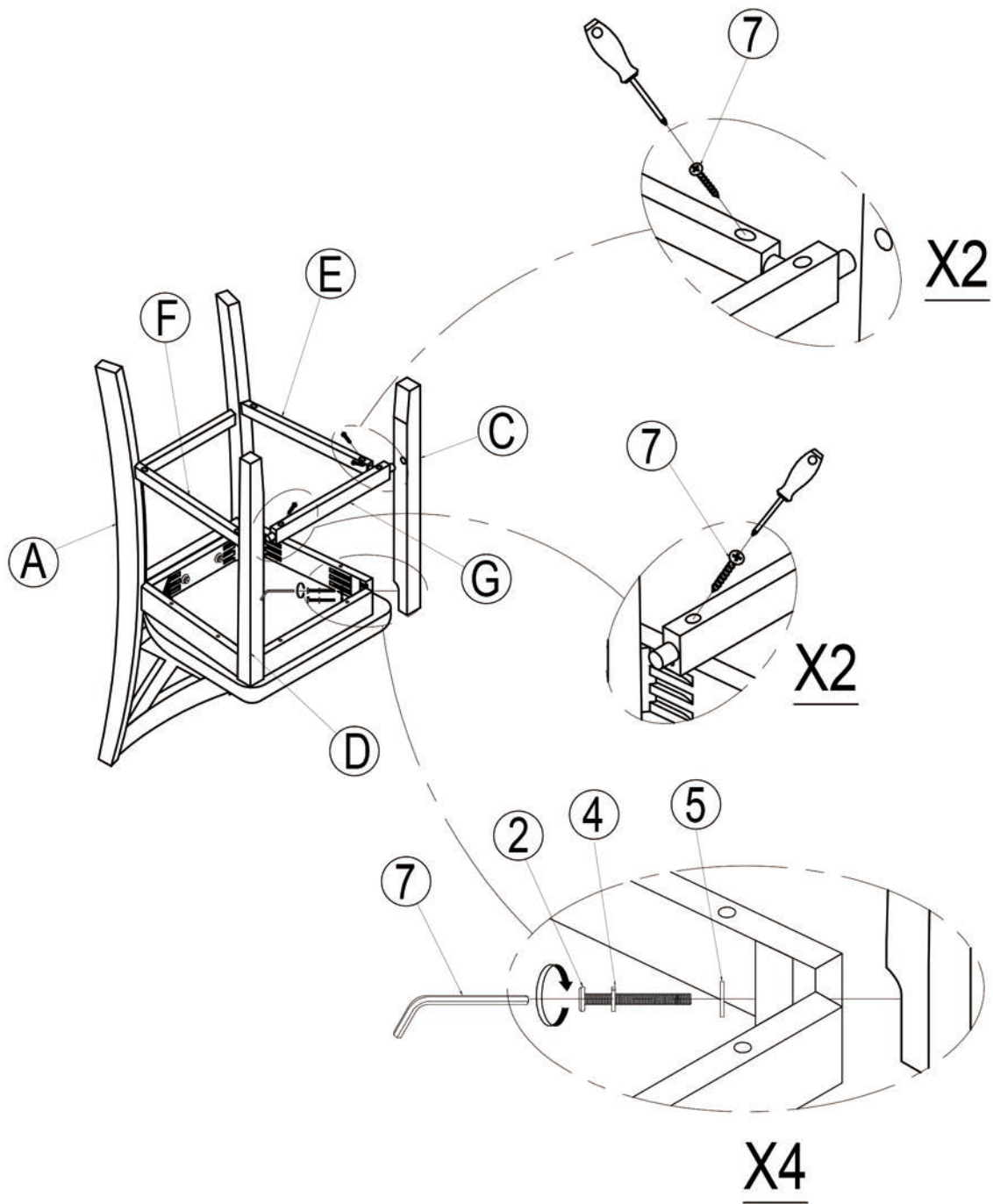
STEP 1:



STEP 2:

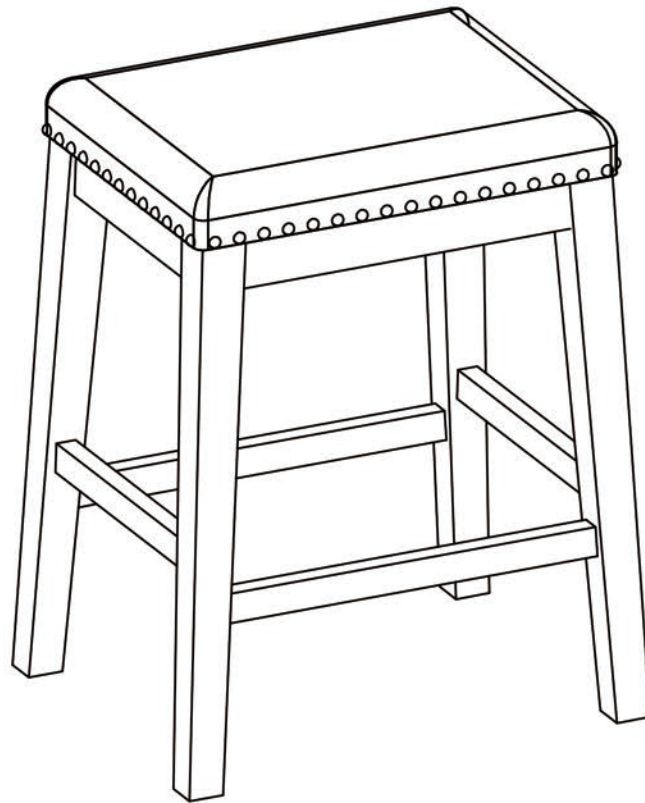


STEP 3:



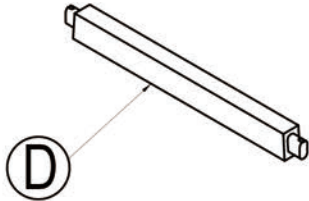
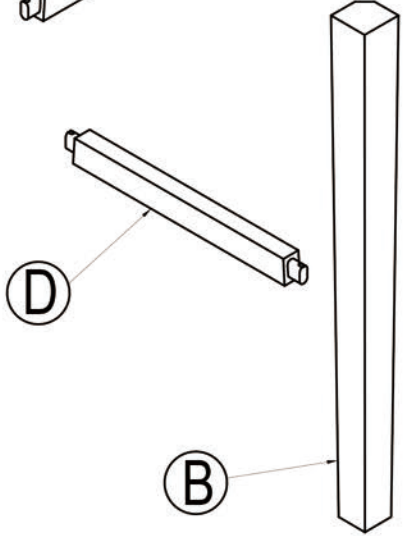
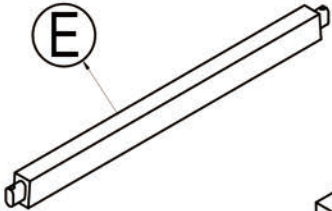
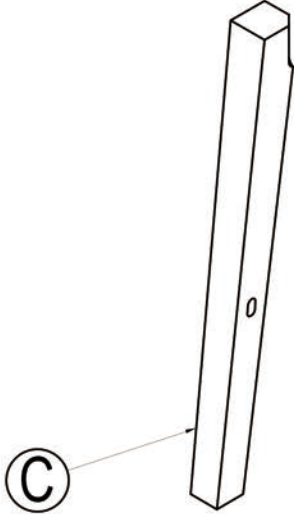
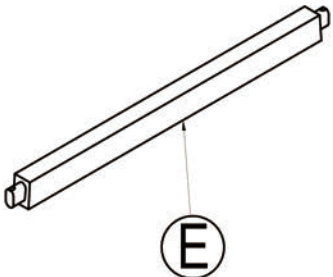
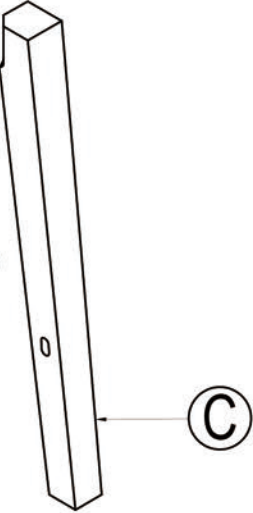
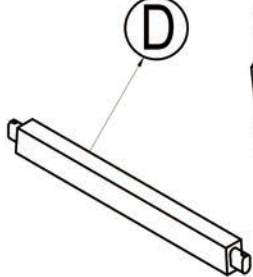
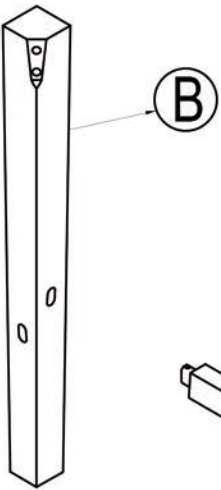
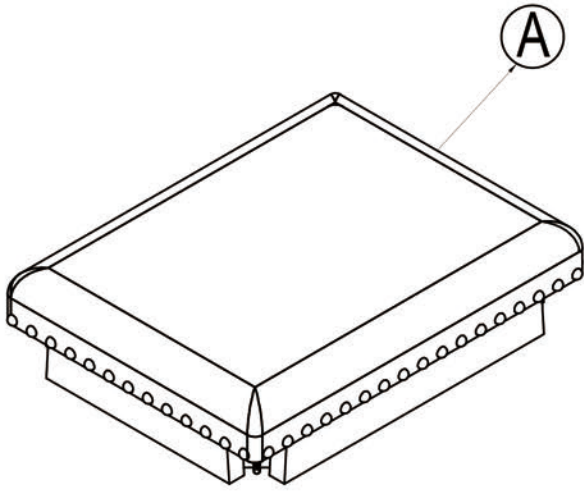
ASSEMBLY INSTRUCTIONS

ITEM NO.WF197991AAE



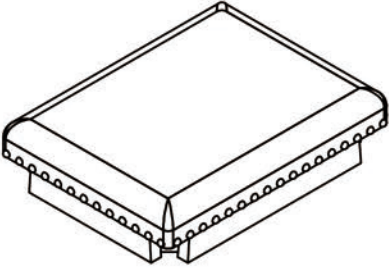

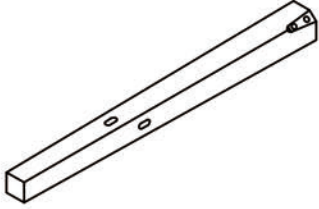

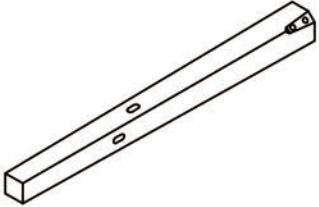

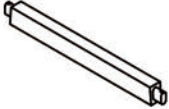

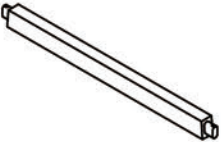
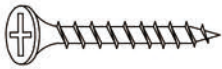
IMPORTANT NOTE :

- ① PLACE ALL PARTS ON A CLEAN AND SMOOTH SURFACE SUCH AS A RUG OR CARPET TO AVOID THE PARTS FROM BEING SCRATCHED.
- ② BEFORE YOU BEGIN,KINDLY FOLLOW THE ASSEMBLY INSTRUCTIONS STEP BY STEP.
- ③ DO NOT TIGHTEN ALL SCREWS AND BOLTS UNTIL THE CHAIR IS FULLY SET-UP.

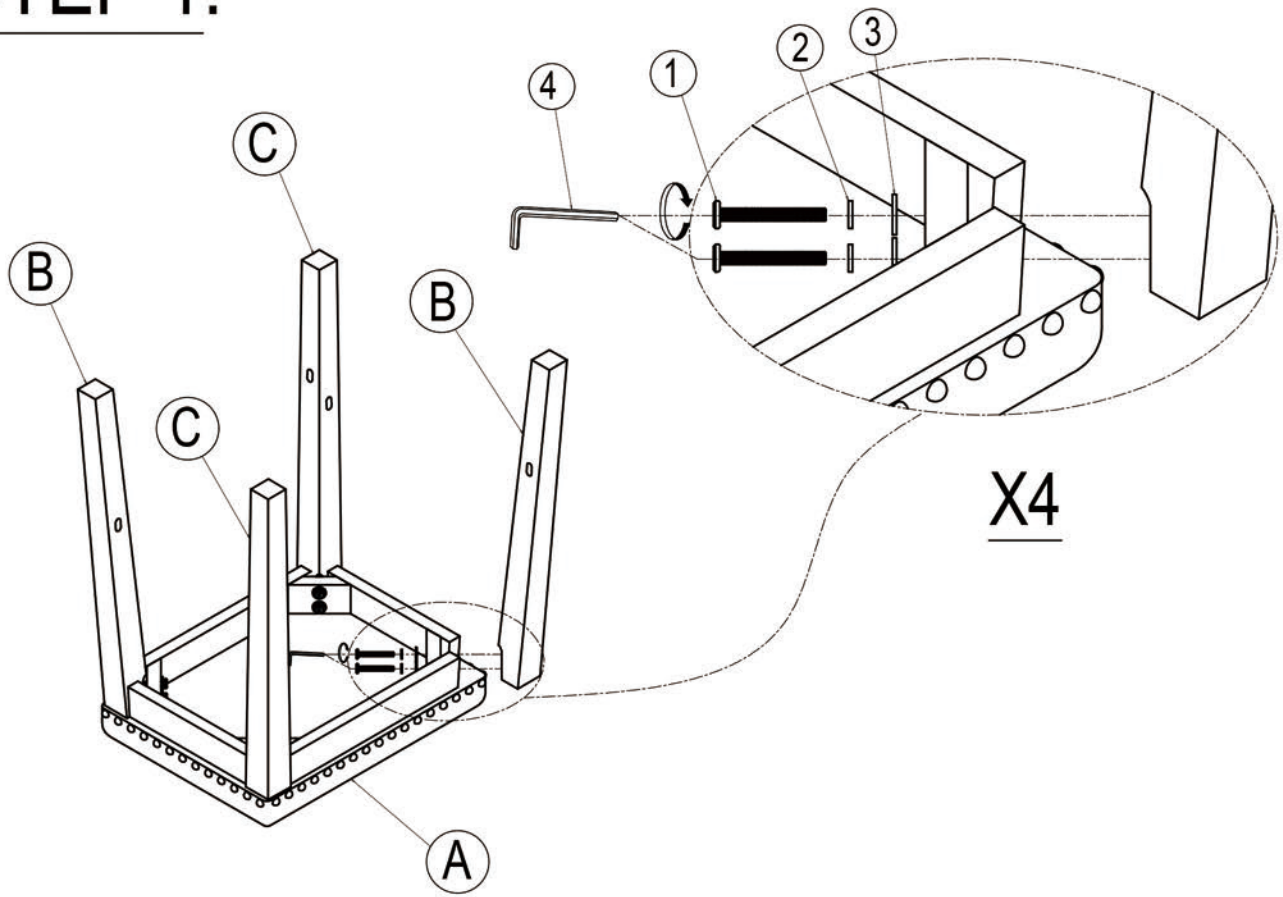


Part List

Hardware List

| | |
|--|--|
| <p>(A)</p>  <p>CUSHION SEAT (2pcs)</p> | <p>(1)</p>  <p>Ø 1/4" x 45mm</p> <p>BOLT (16pcs)</p> |
| <p>(B)</p>  <p>LEG LEFT (4pcs)</p> | <p>(2)</p>  <p>Ø5/16" x 13mm</p> <p>FLAT WASHER (16pcs)</p> |
| <p>(C)</p>  <p>LEG RIGHT (4pcs)</p> | <p>(3)</p>  <p>Ø5/16" x 19mm</p> <p>LOCK WASHER (16pcs)</p> |
| <p>(D)</p>  <p>SHORT STRETCHER (4pcs)</p> | <p>(4)</p>  <p>4mm</p> <p>ALLEN KEY (1pc)</p> |
| <p>(E)</p>  <p>LONG STRETCHER (4pcs)</p> | <p>(5)</p>  <p>Ø4 x 38mm</p> <p>WOOD SCREWS (16pcs)</p> |

STEP 1:



STEP 2:

