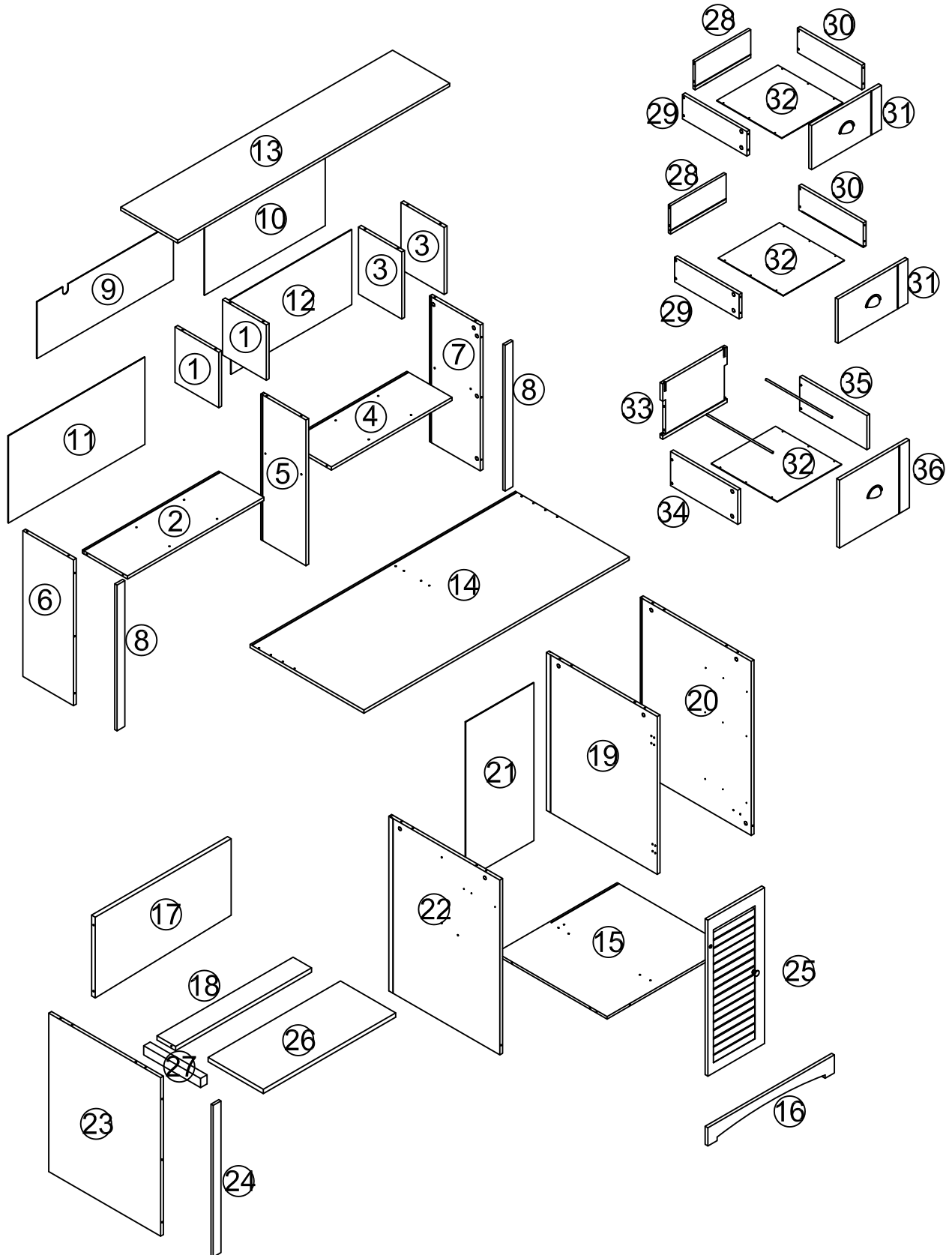


WF194480AAL

WF194480AAL
















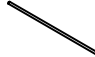





P.1



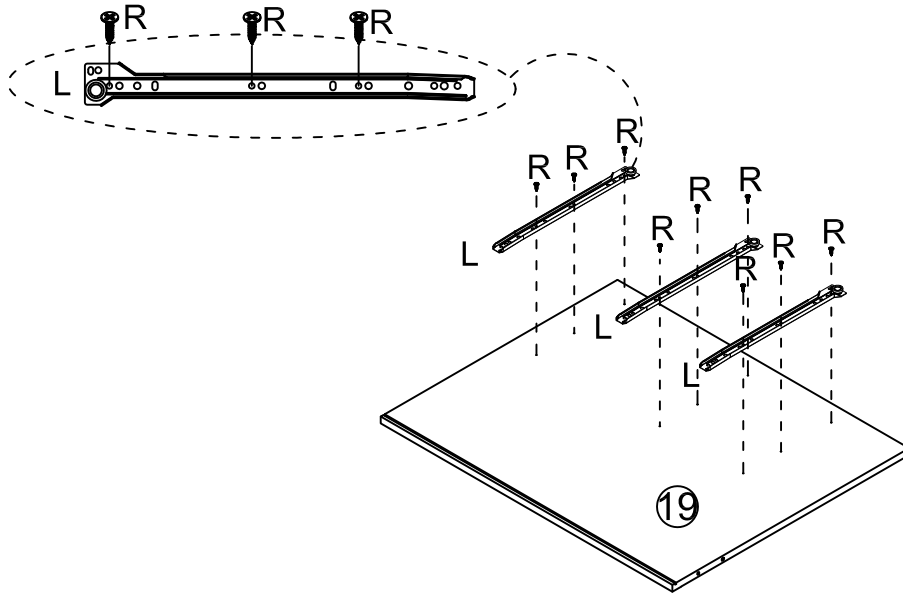


WF194480AAL

P.2

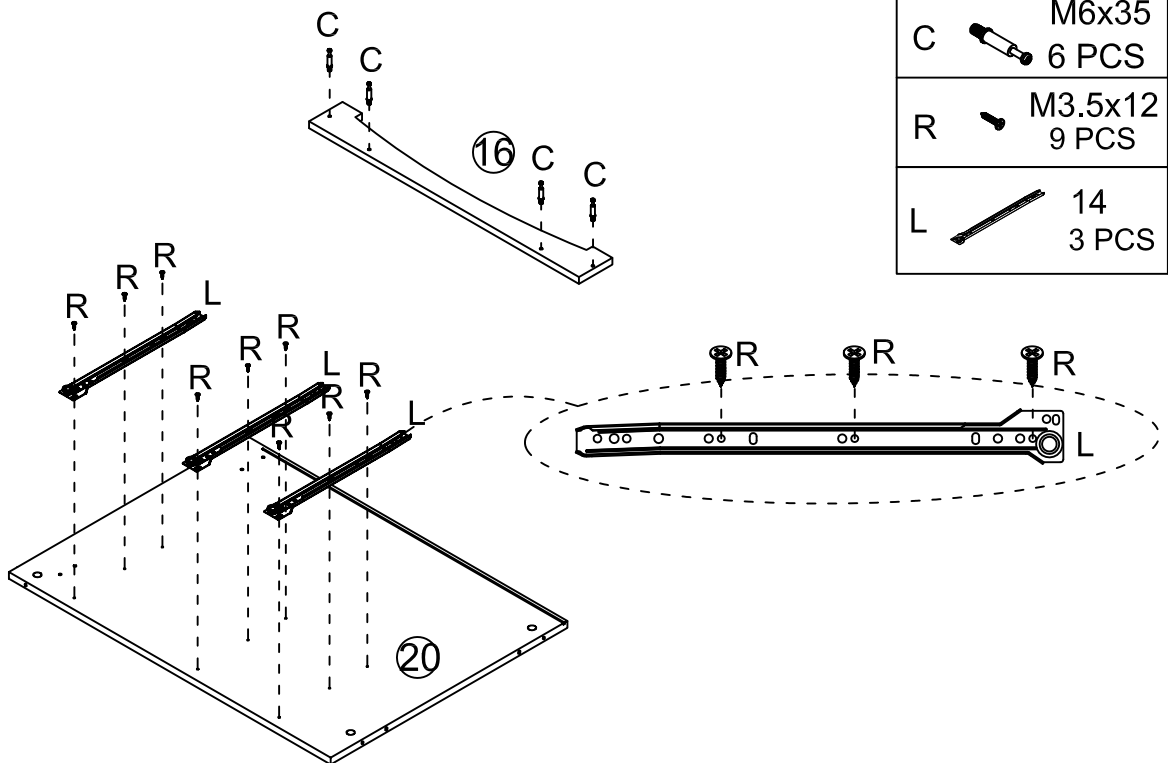
A	M1512	45		L	14	3	
B	M1595	12		M	12	1	
C	M6x35	57		N	M26	2	
D	M4x18	1		O	M4x12	12	
E	M4x35	5		P		3	
F	M4x14	2		Q		1	
G	M3x14	20		R	M3.5x12	54	
H	M70x25	2		S	M5x356	2	
I	M4x30	12		T	M5x45	19	
J	M6x30	2		U	M6x30	26	
K		20					

1



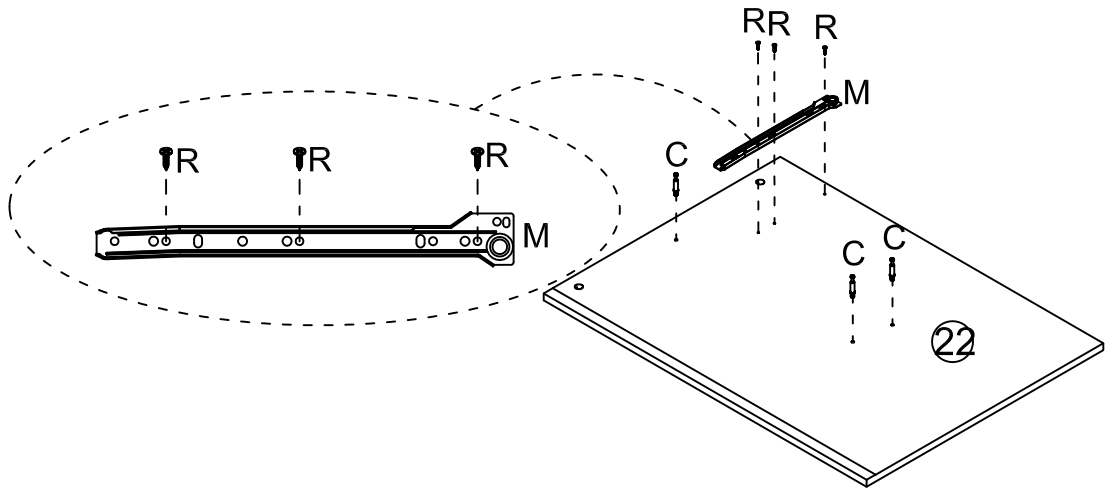
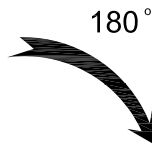
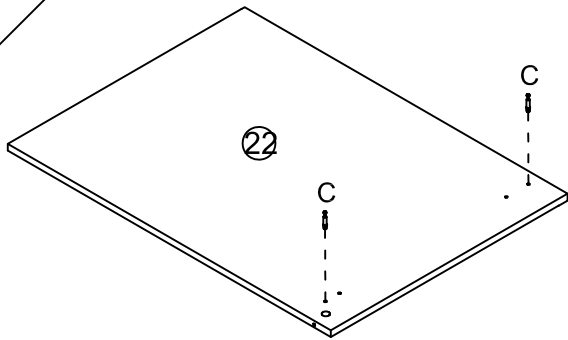
.SCREWS	
R	M3.5x12 9 PCS
L	14 3 PCS

2



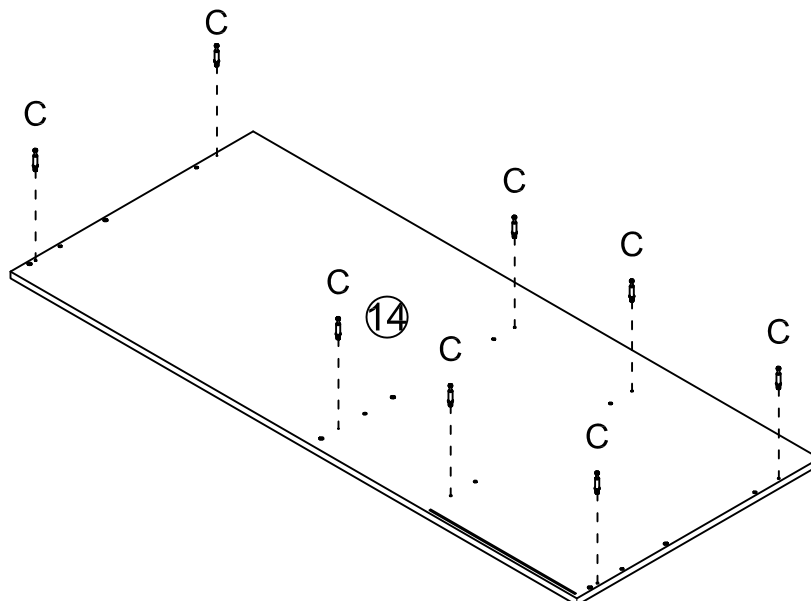
.SCREWS	
C	M6x35 6 PCS
R	M3.5x12 9 PCS
L	14 3 PCS

3



.SCREWS	
C	M6X35 5 PCS
R	M3.5x12 3 PCS
M	12 1 PC

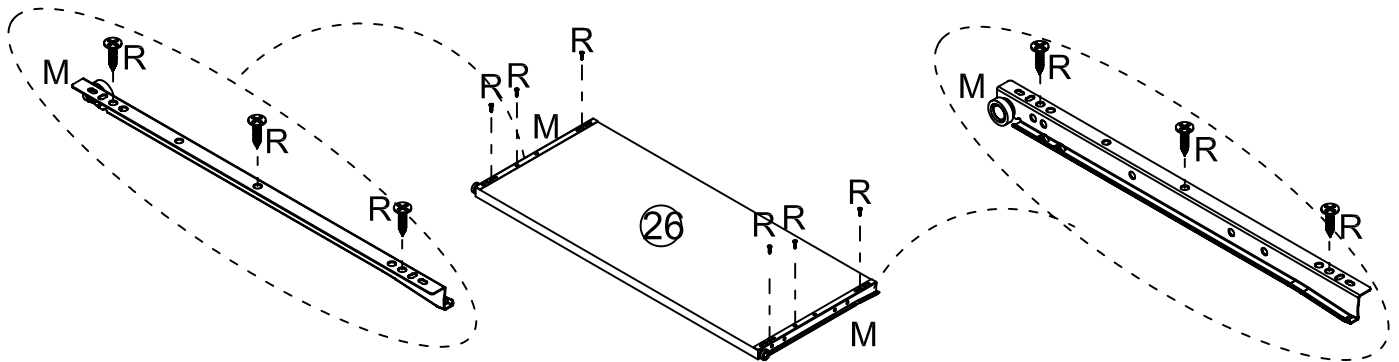
4



.SCREWS	
C	M6x35 8 PCS

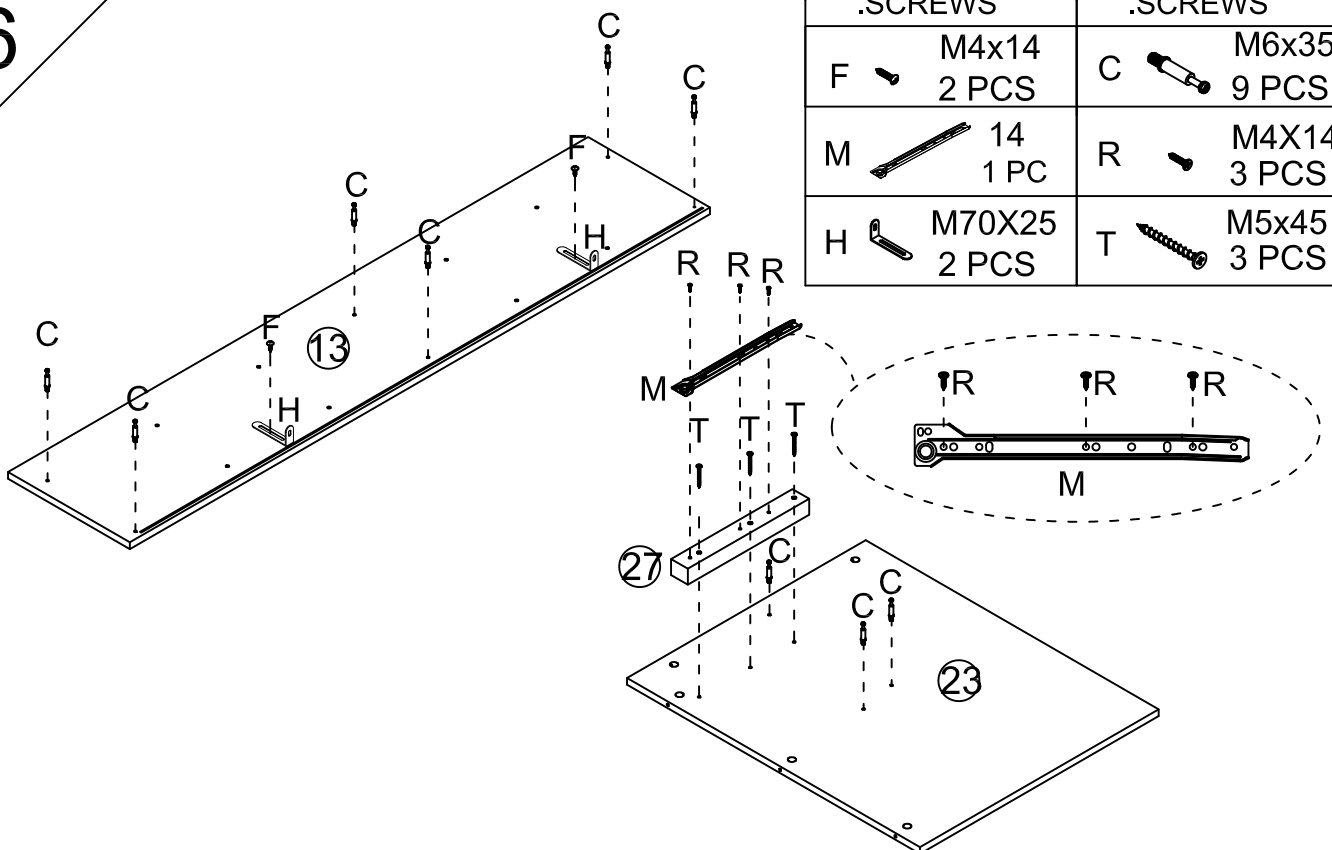
5

.SCREWS	
R	M3.5x12 6 PCS
M	12 1 PC



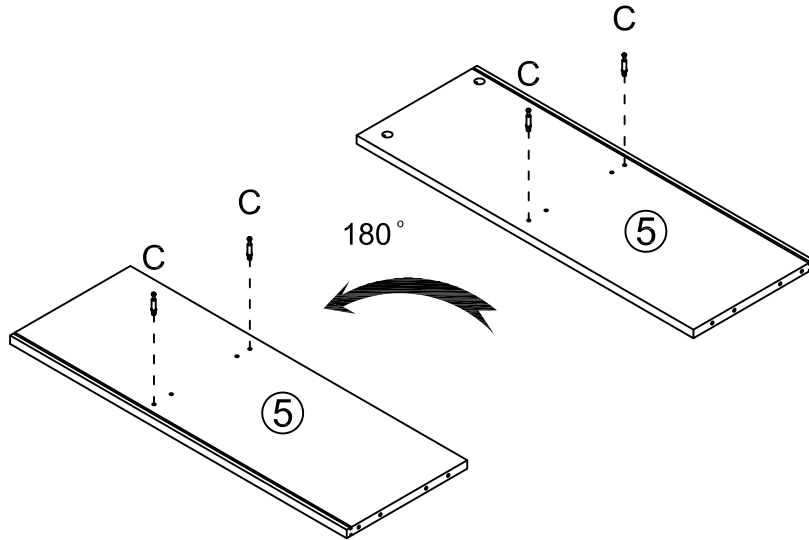
6

.SCREWS		.SCREWS	
F	M4x14 2 PCS	C	M6x35 9 PCS
M	14 1 PC	R	M4x14 3 PCS
H	M70x25 2 PCS	T	M5x45 3 PCS



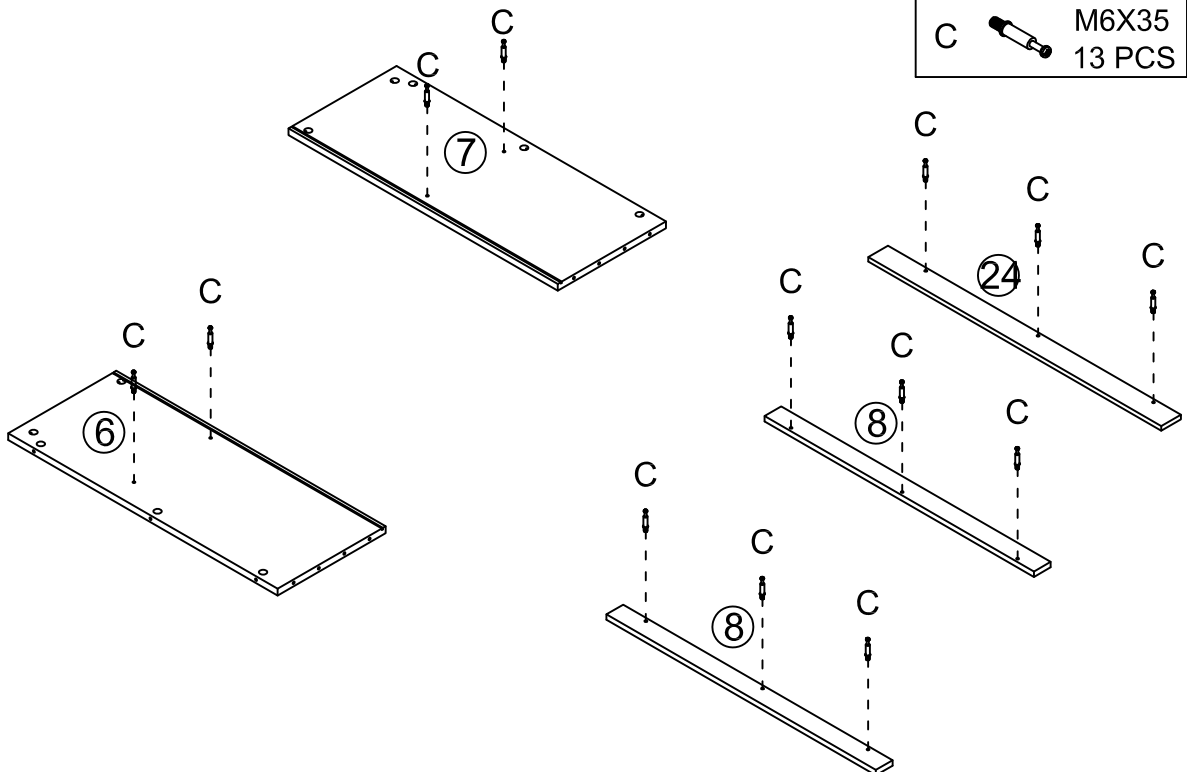
7

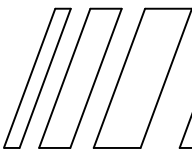
.SCREWS	
C	M6X35 4 PCS




8

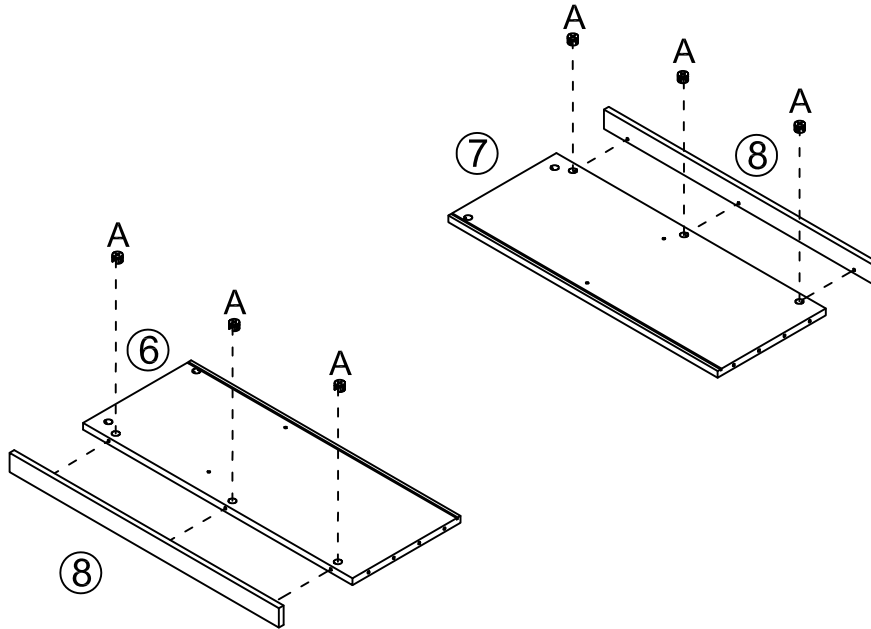
.SCREWS	
C	M6X35 13 PCS






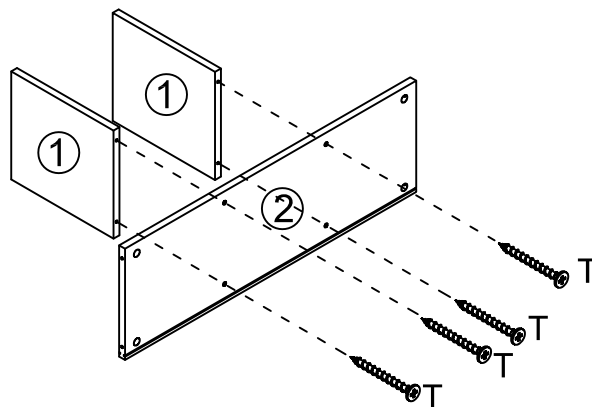
9

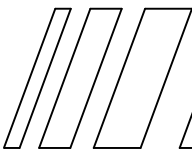
.SCREWS
A  M15x12
6PCS



10

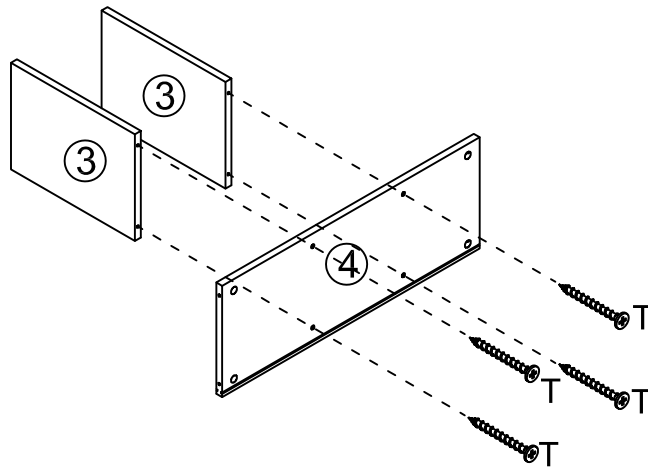
.SCREWS
T  M5x45
4 PCS





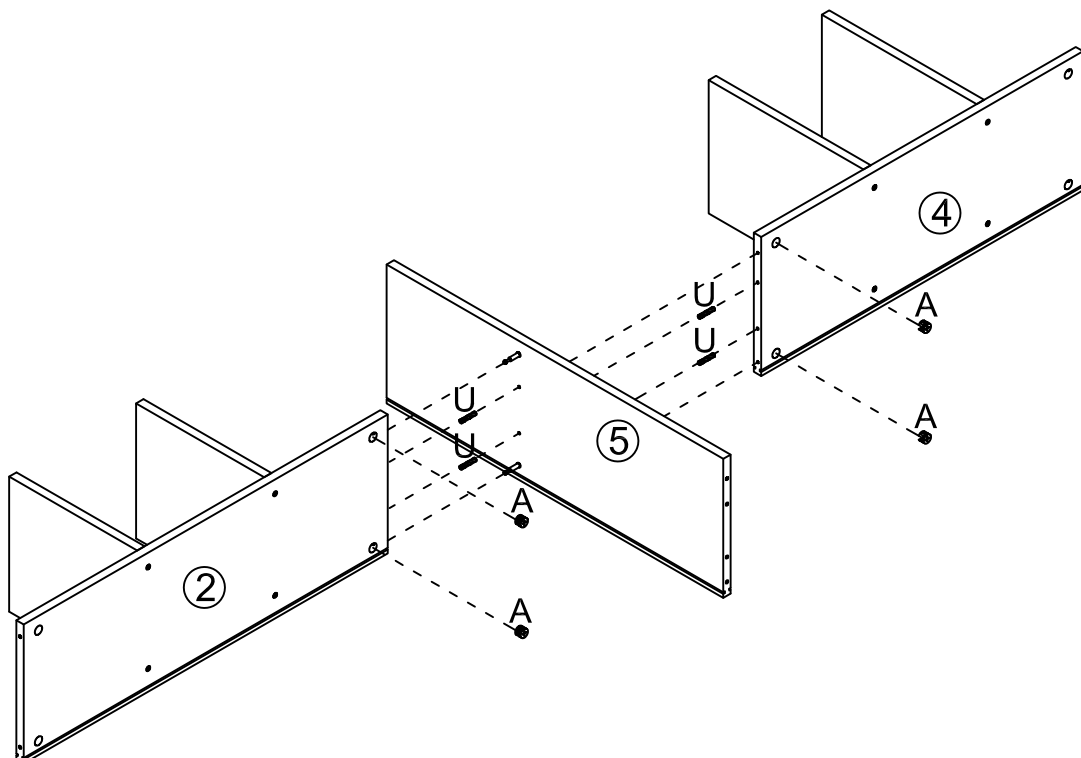
11

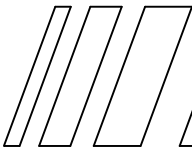
.SCREWS	
T	M5x45 4 PCS



12

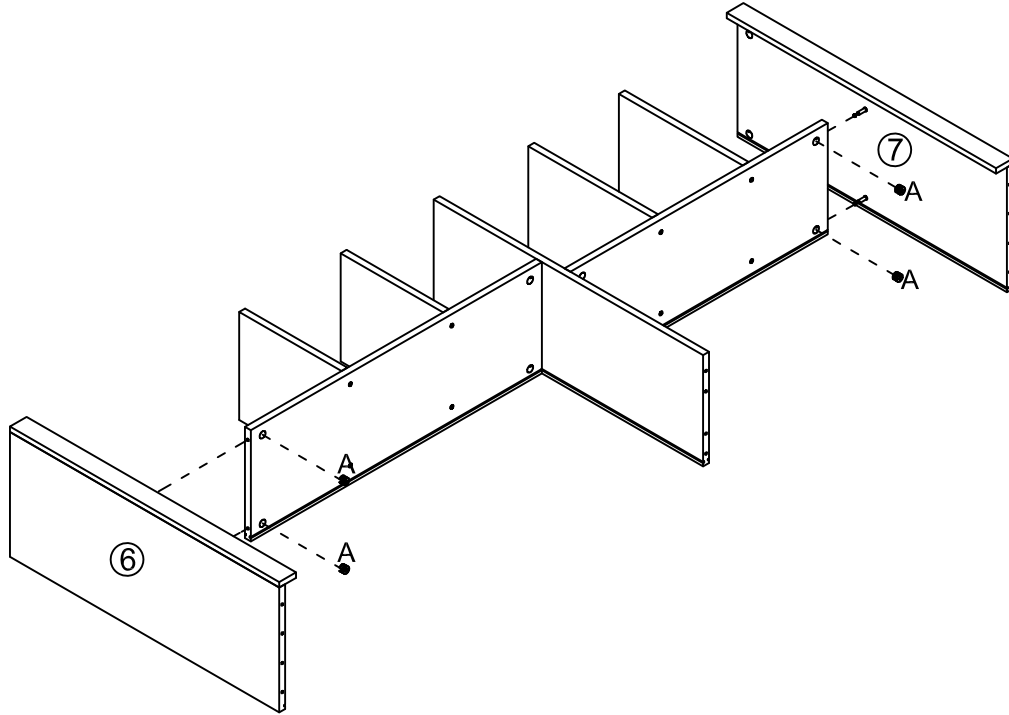
.SCREWS		.SCREWS	
U	M6x30 4 PCS	A	M15x12 4PCS



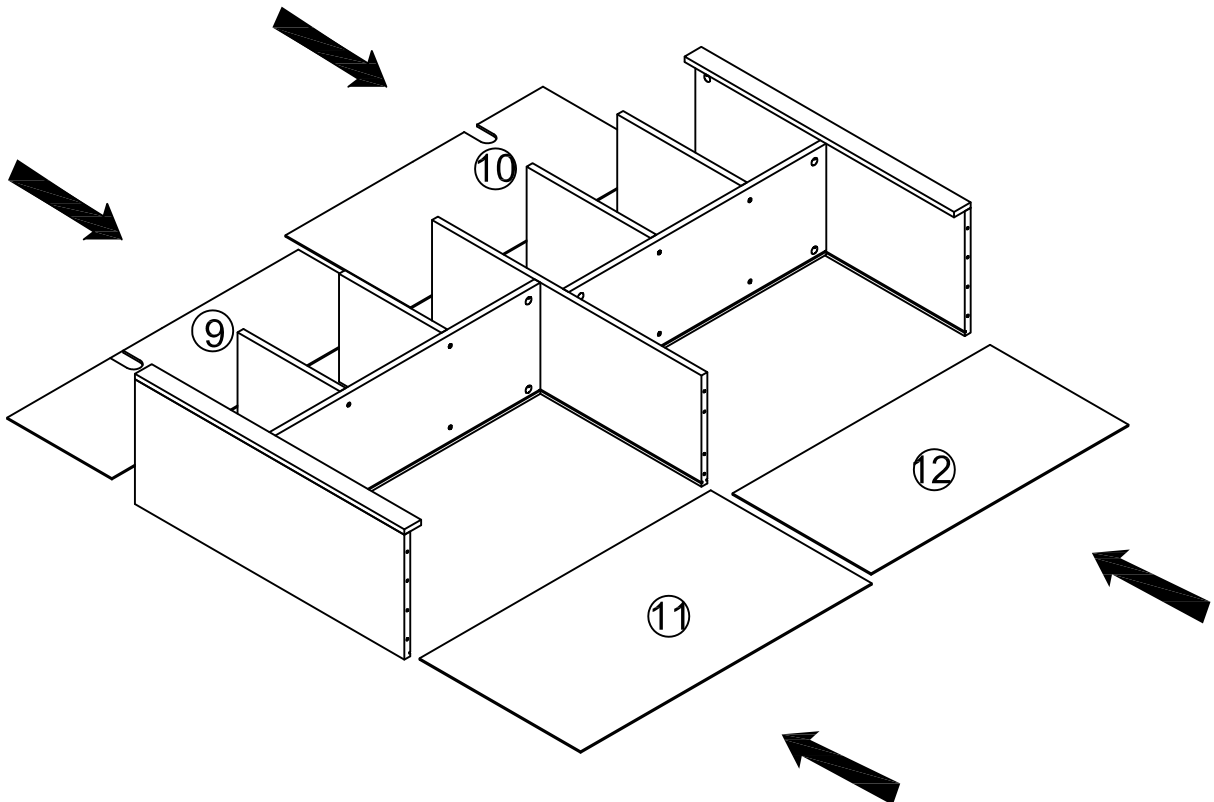


13

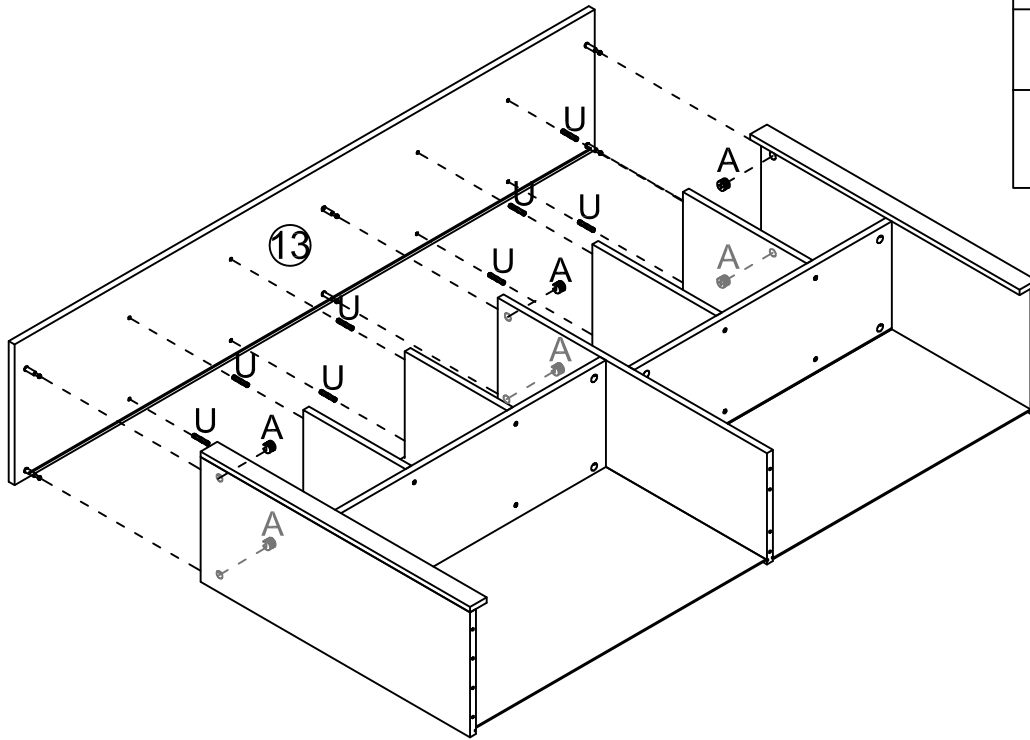
.SCREWS
A  M15x12
4 PCS



14

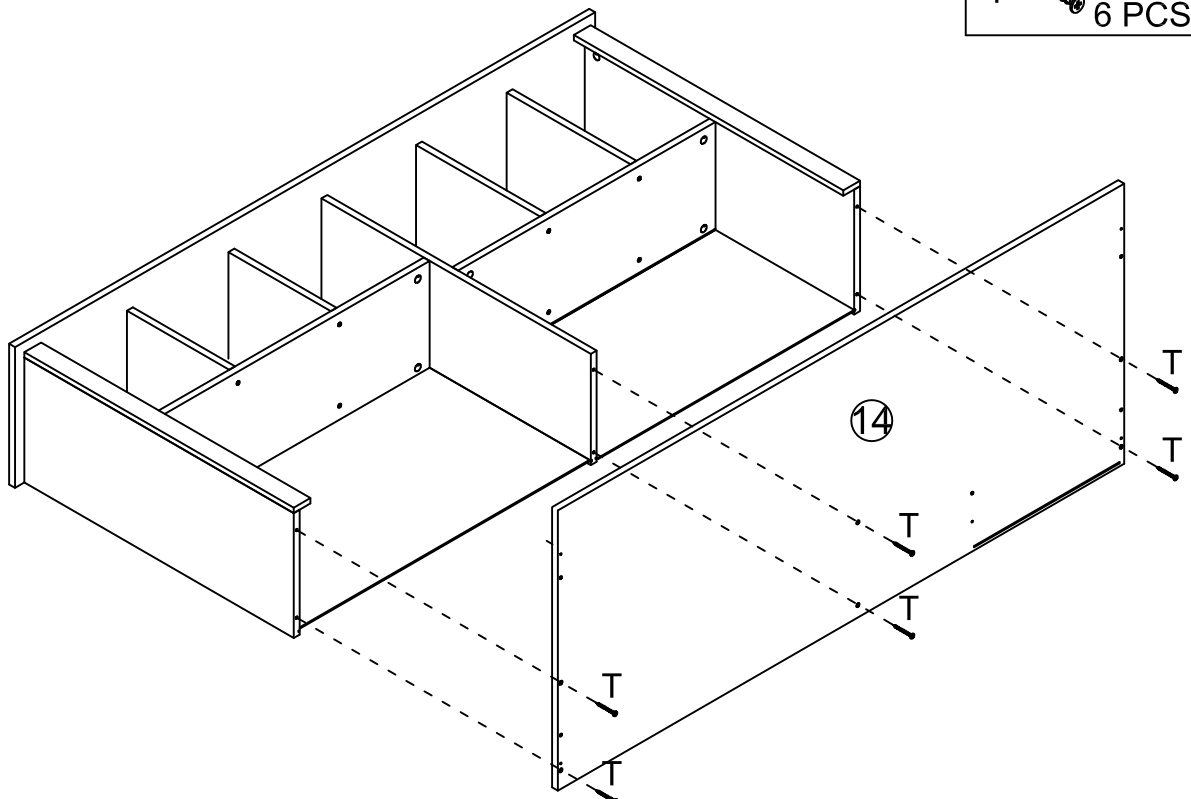


15

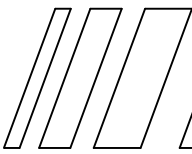


.SCREWS	
U	M6x30 8 PCS
A	M15x12 6 PCS


16

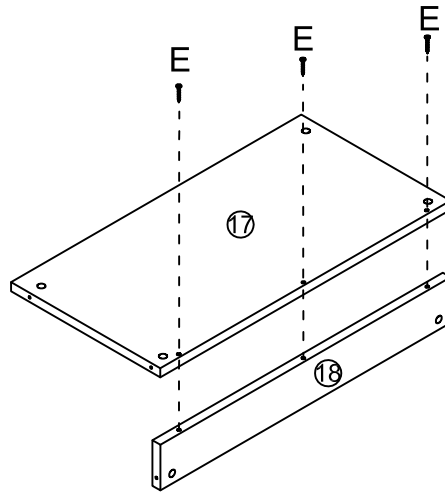


.SCREWS	
T	M5x45 6 PCS





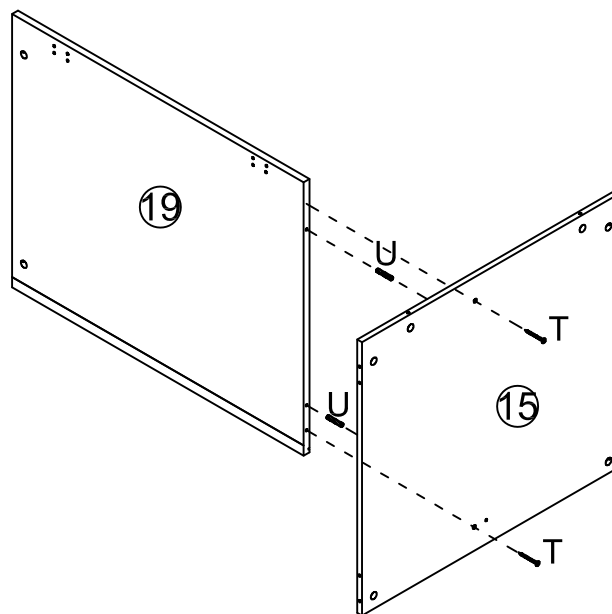
17

.SCREWS	
E	 M4x35 3 PCS





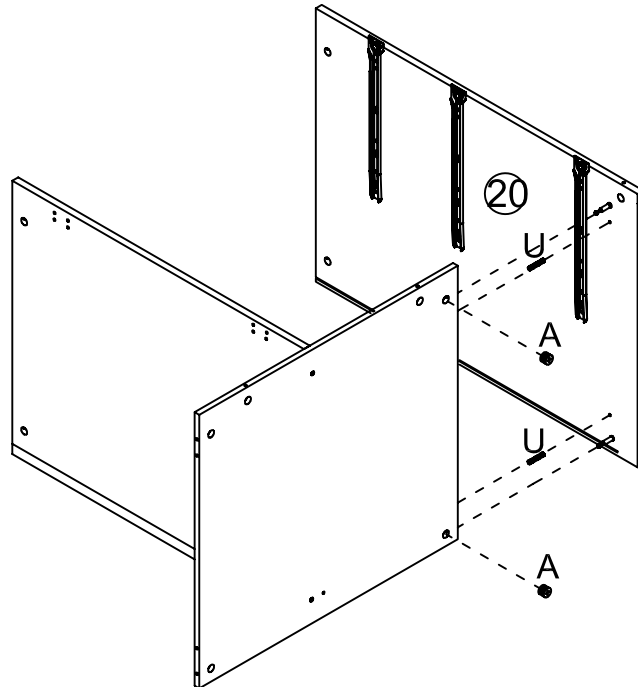
18

.SCREWS	
U	 M6x30 2 PCS
T	 M5x45 2 PCS

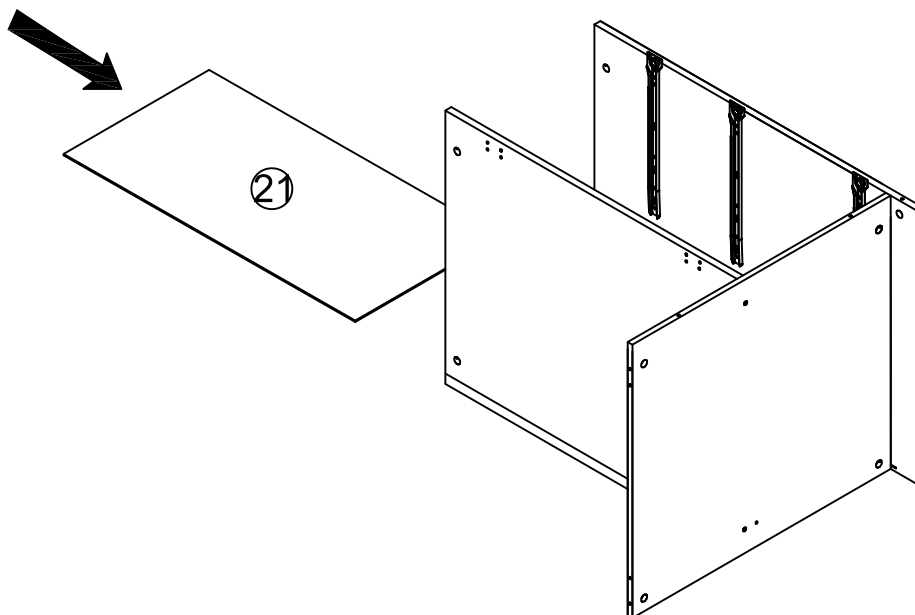


19

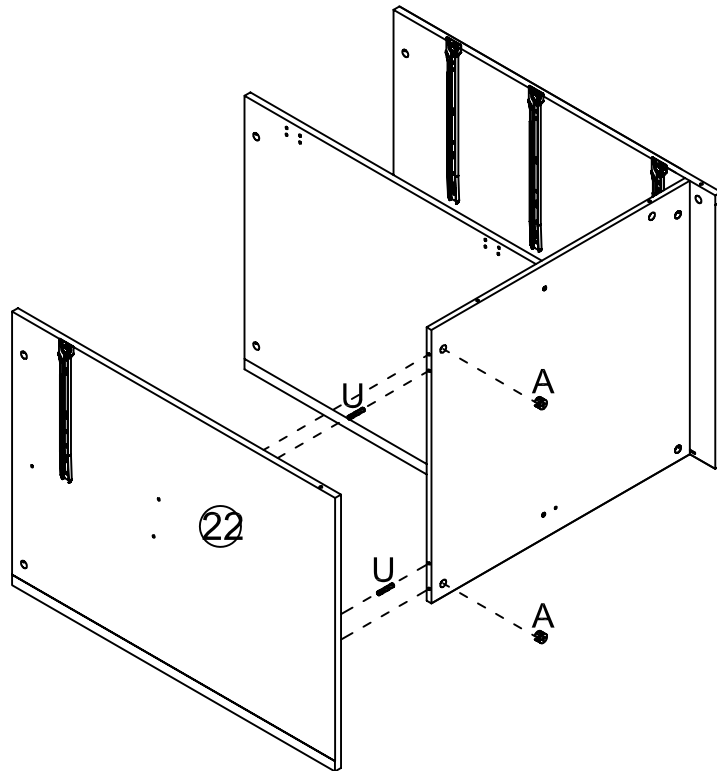
.SCREWS	
A	 M15x12 2PCS
U	 M6x30 2 PCS





20

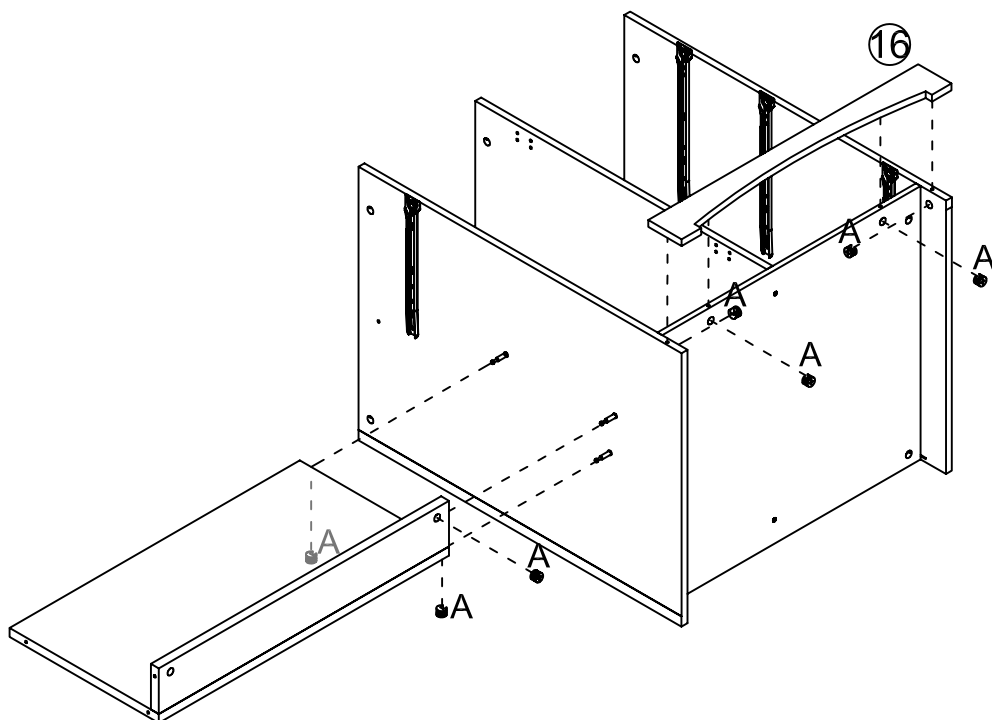



21



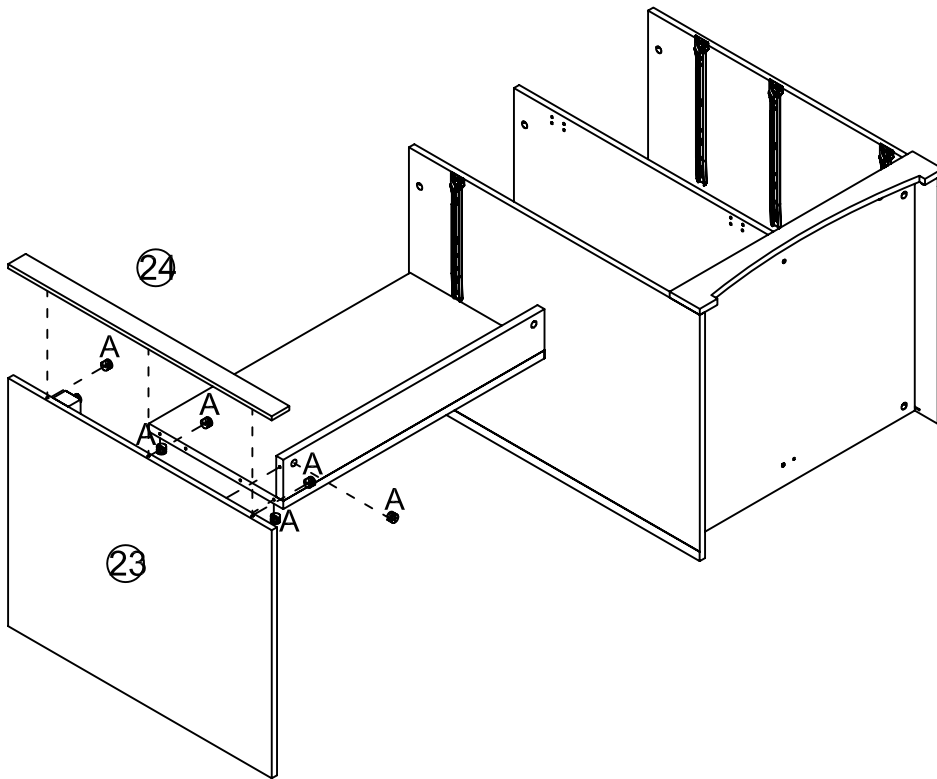
.SCREWS	
A	 M15x12 2PCS
U	 M6x30 2 PCS

22



.SCREWS	
A	 M15x12 7PCS

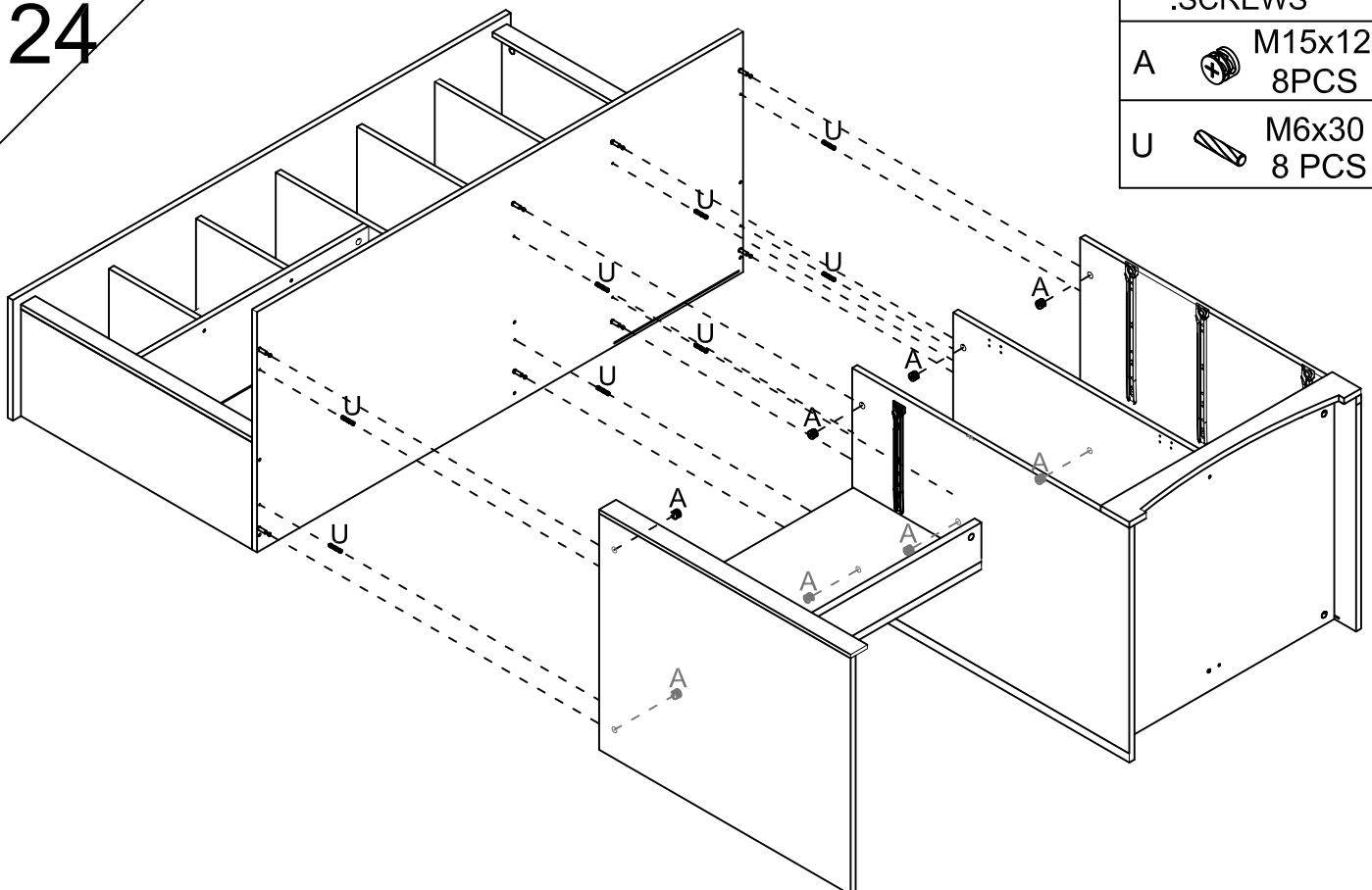
23



.SCREWS

A  M15x12
6PCS

24







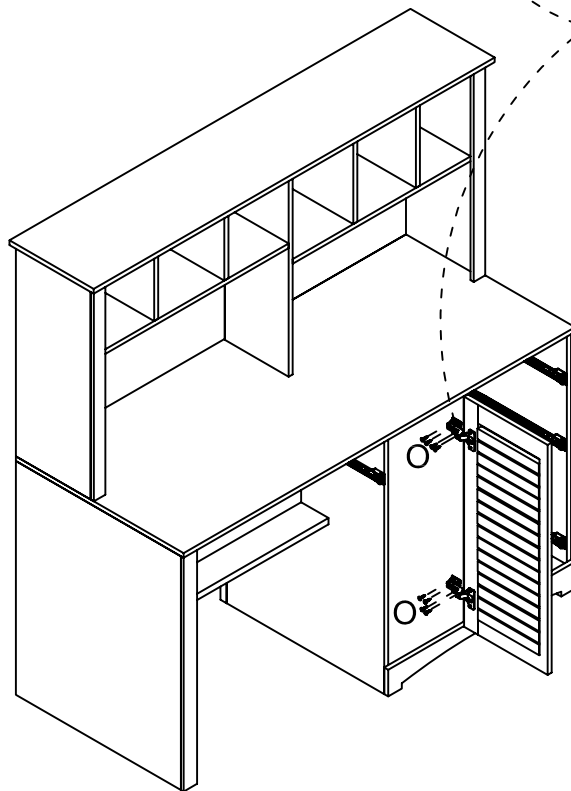
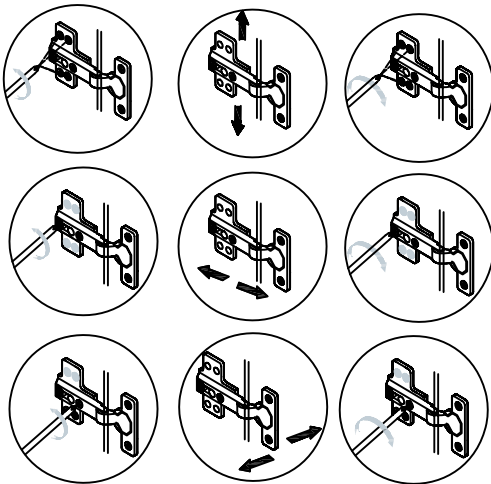
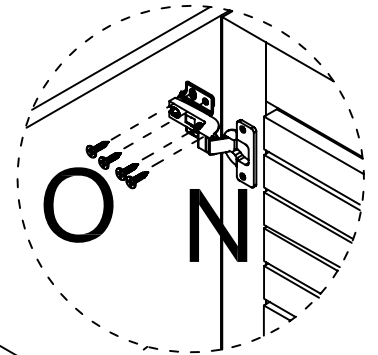
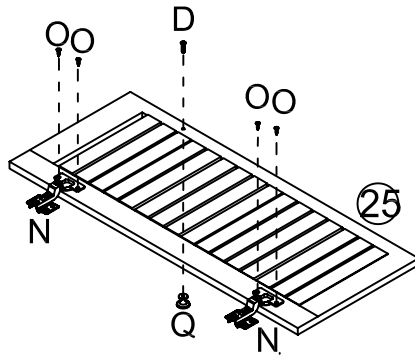
.SCREWS

A  M15x12
8PCS

U  M6x30
8 PCS

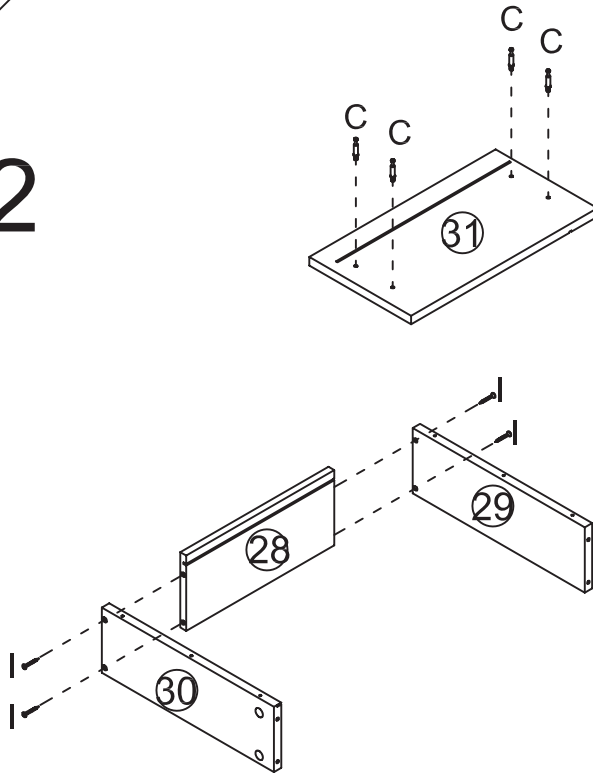
25

.SCREWS	
N	 M26 2 PCS
D	 M4x18 1 PCS
O	 M4x12 12 PCS
Q	 1 PC

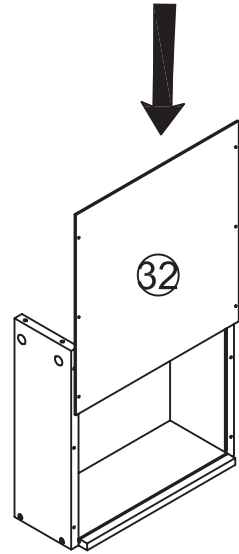


26

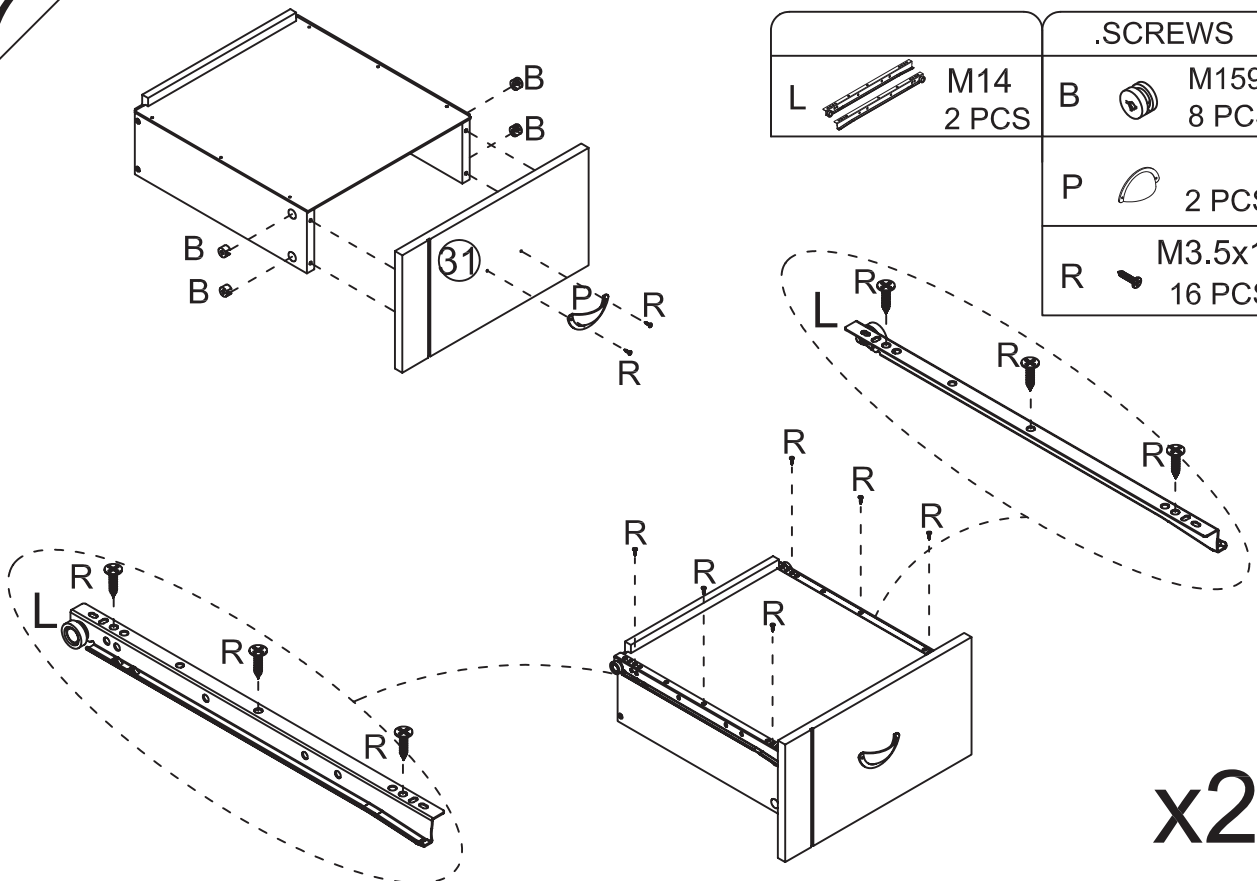
x2



.SCREWS	
C	M6X35 8 PCS
I	M4x30 8 PCS



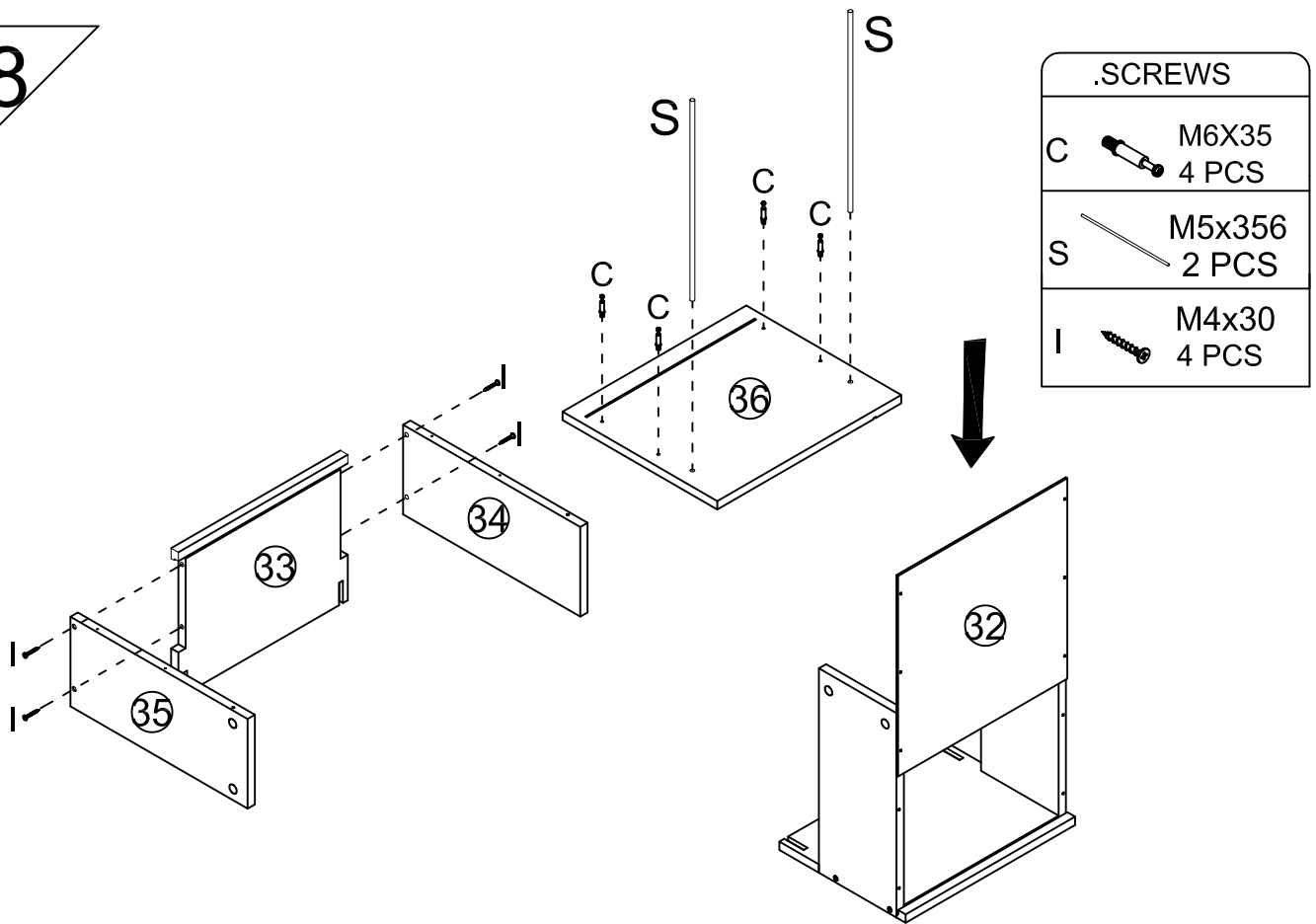
27



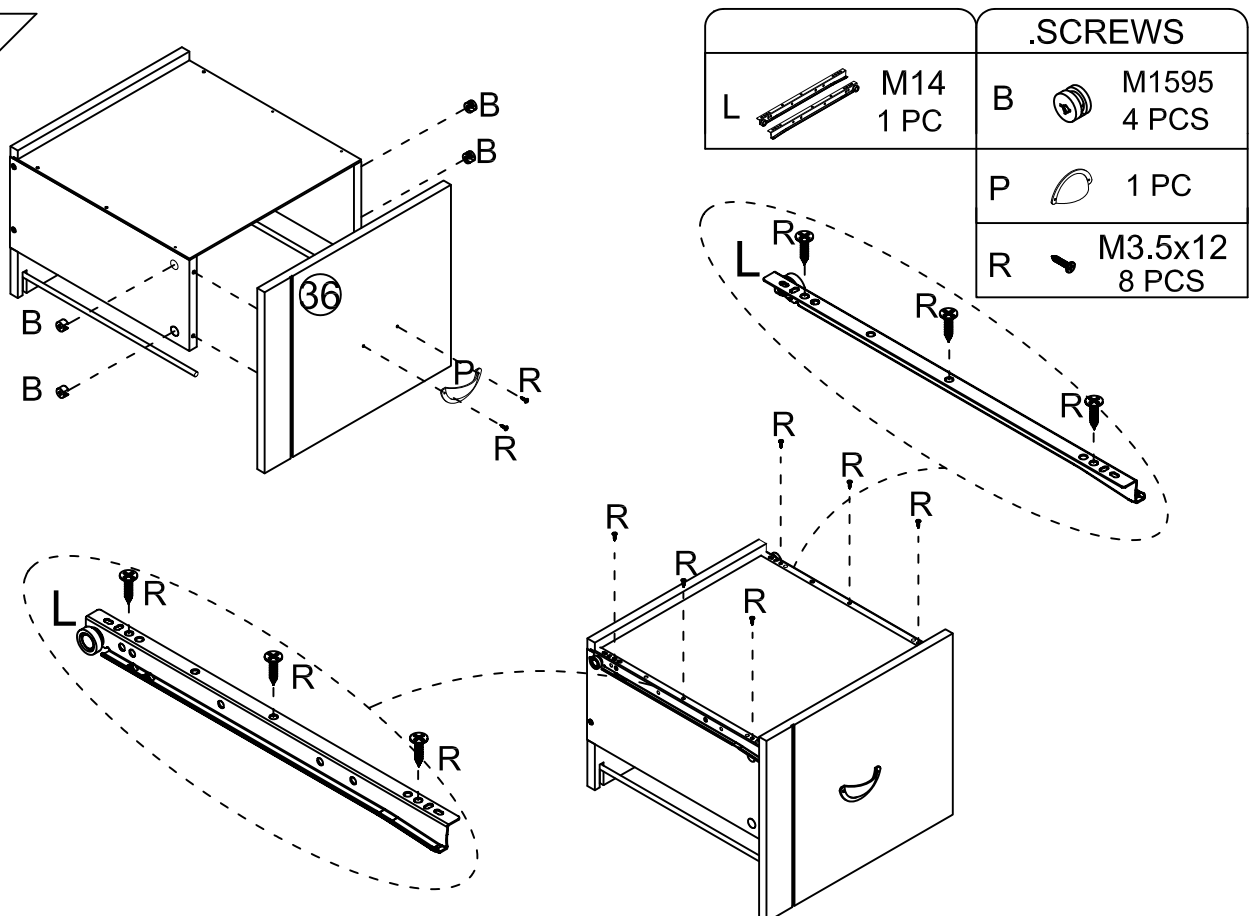
.SCREWS	
L	M14 2 PCS
B	M1595 8 PCS
P	2 PCS
R	M3.5x12 16 PCS

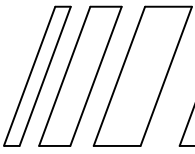
x2

28

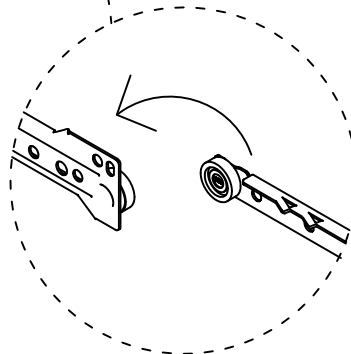
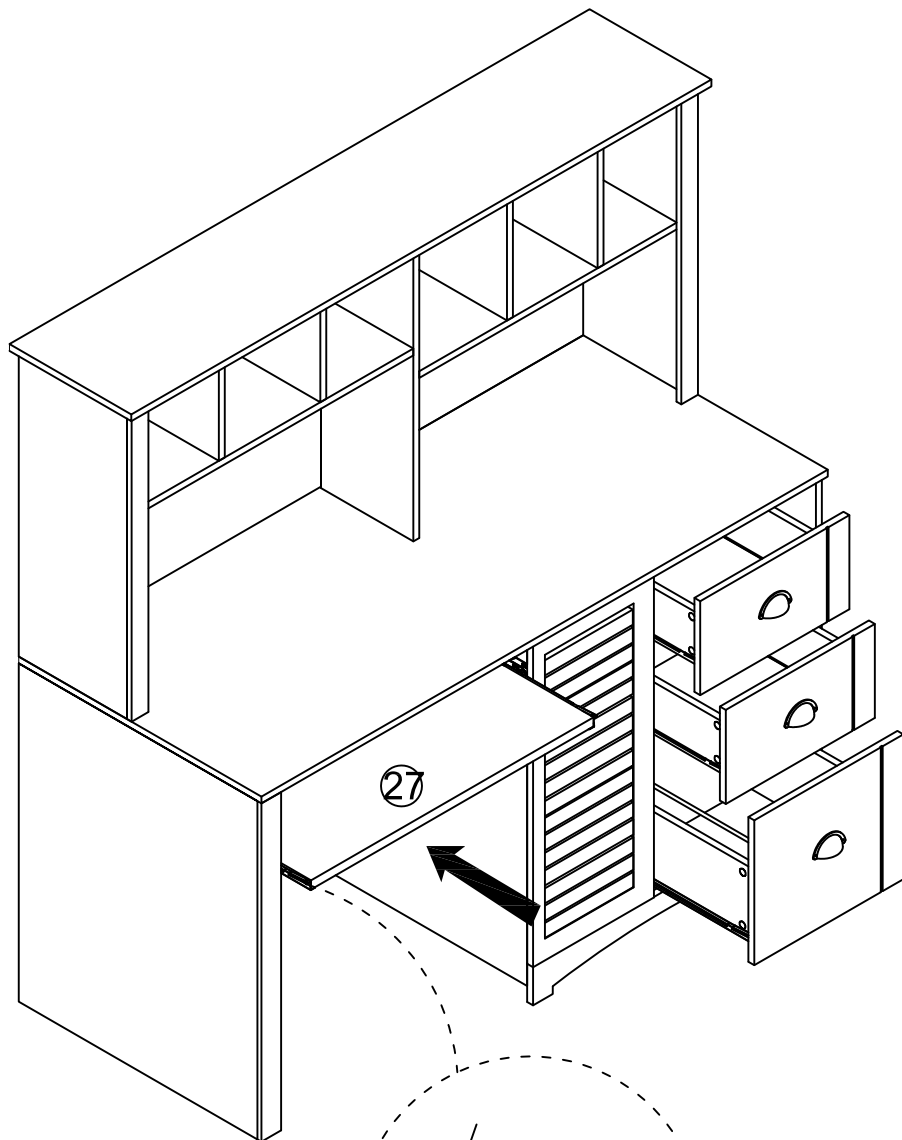


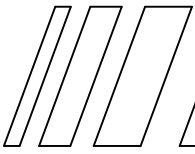
29






30




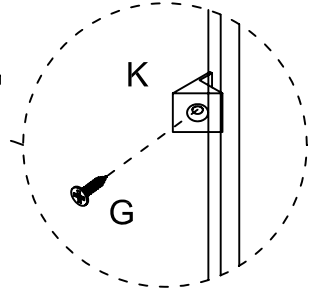
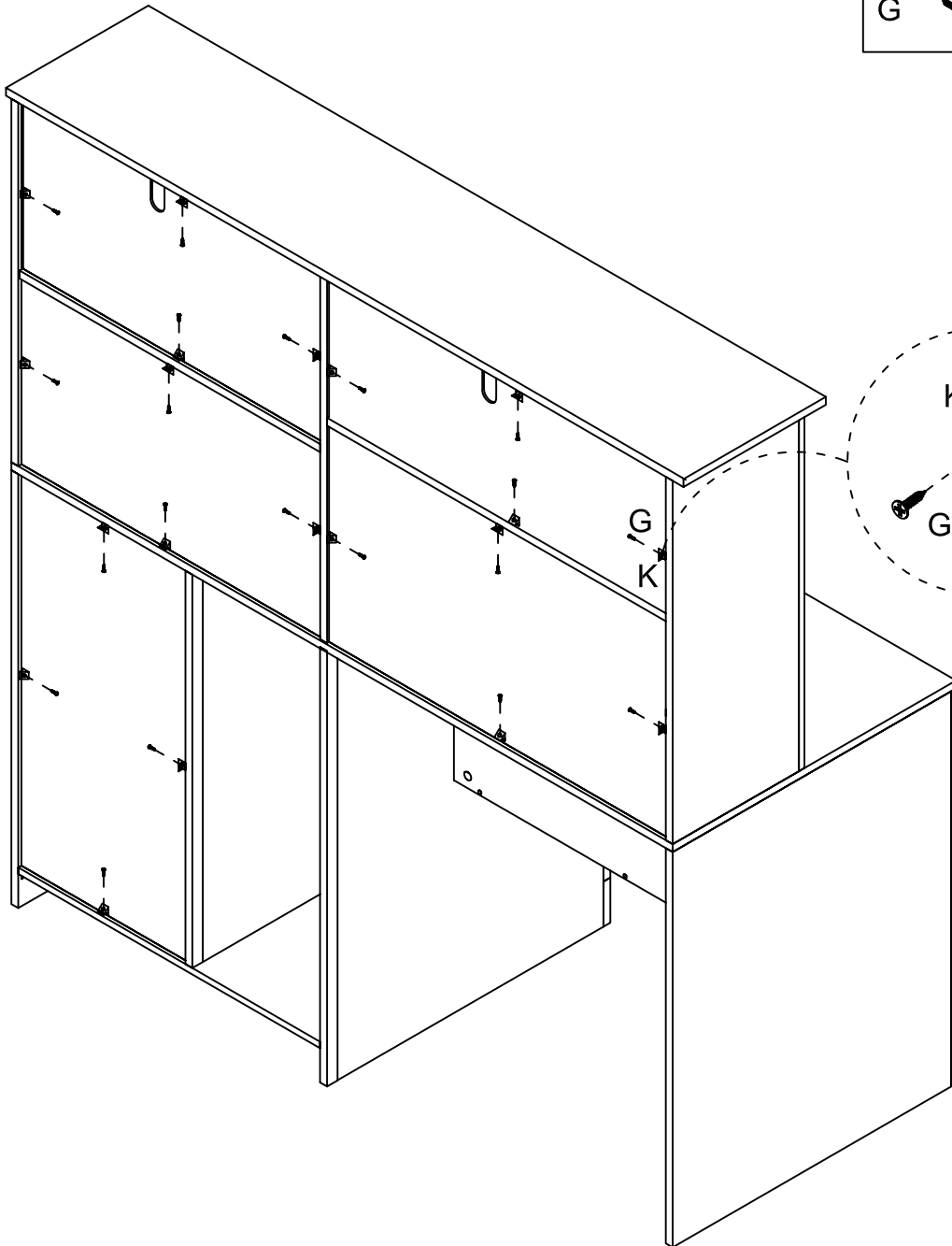


31

.SCREWS


K  20PCS


G  M3x14
20PCS



32

.SCREWS

J  M6x30
2 PCS

E  M4x35
2 PCS

