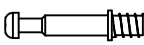


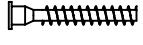
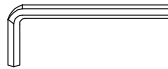


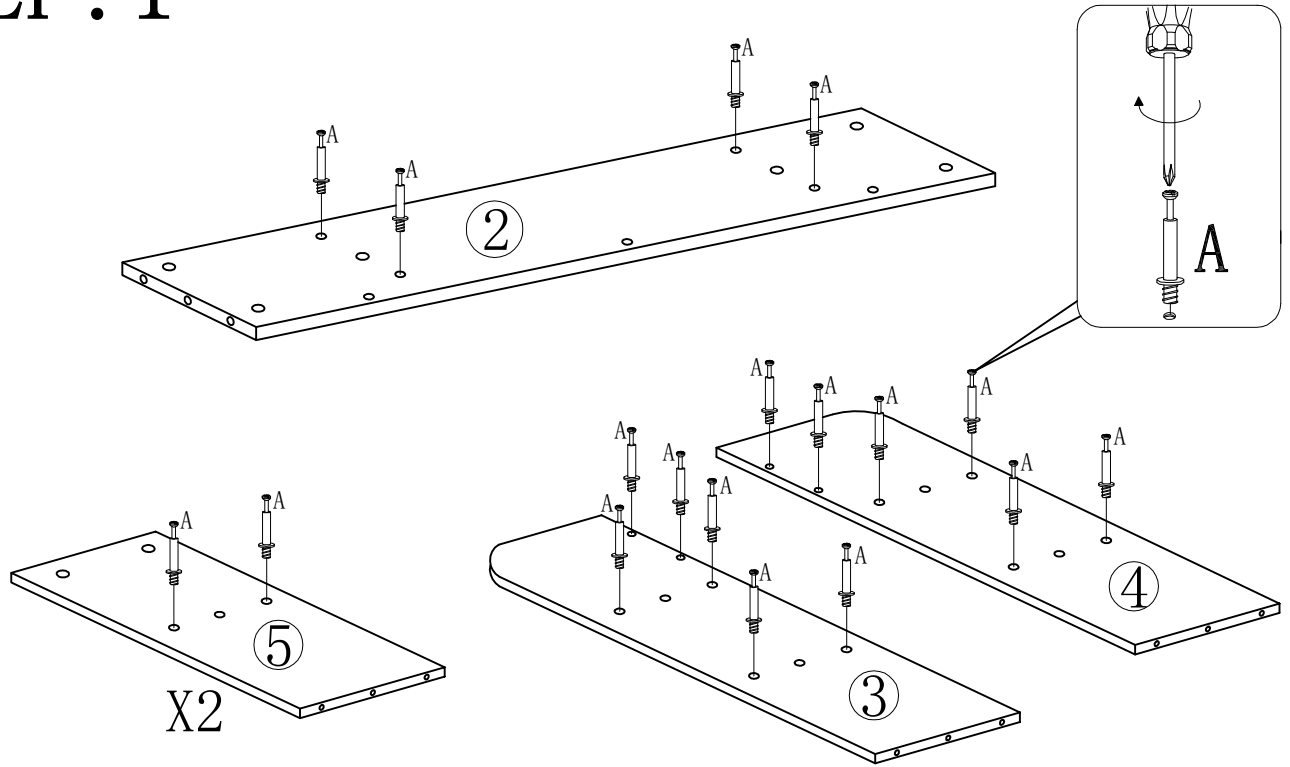
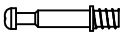


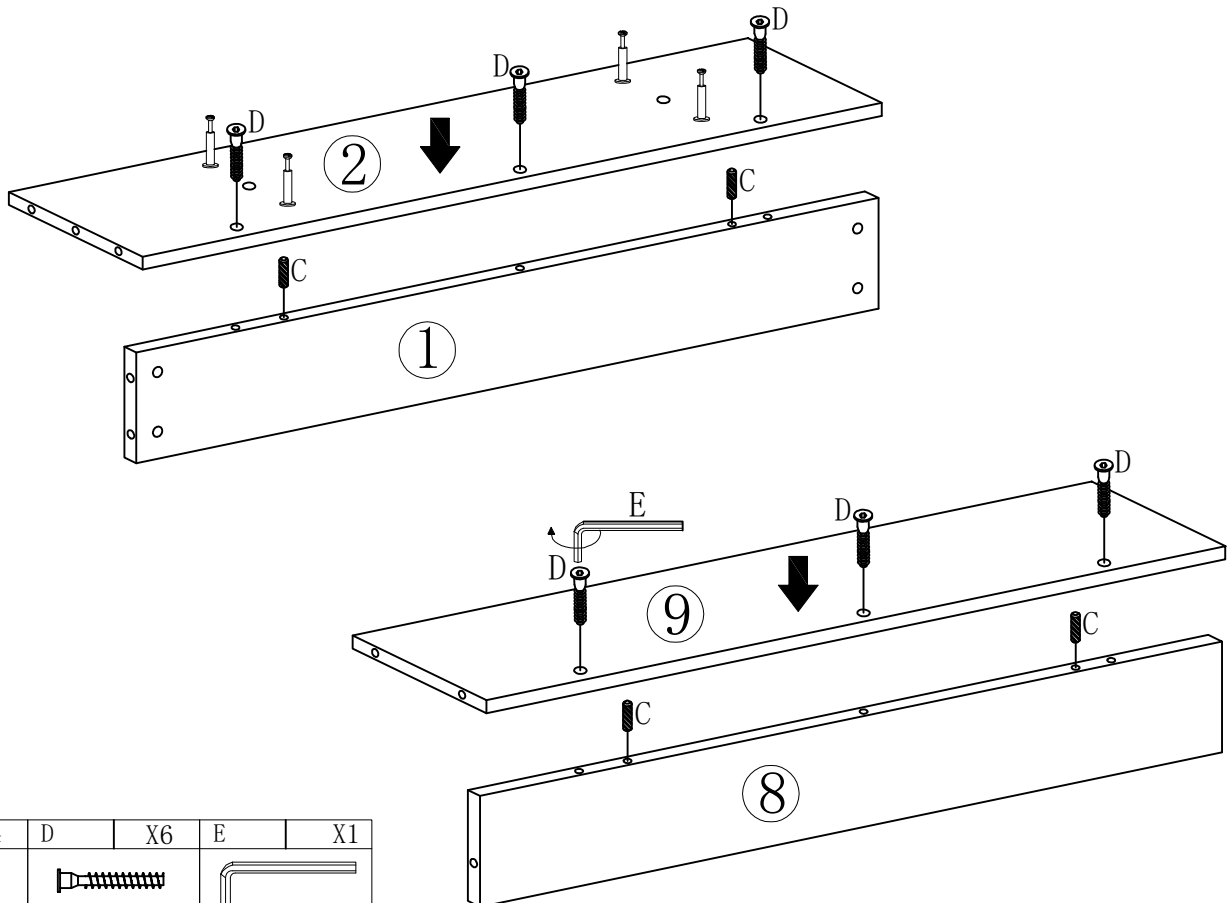
A	*20	B	X20	C	X16	D	X20	E	X1	F	*6	G	*4
													
Φ 6X35		Φ 15X12		Φ 7.8X30		Φ 7X47		M4X55		M6*25mm		M6*40mm	


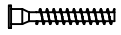

STEP: 1



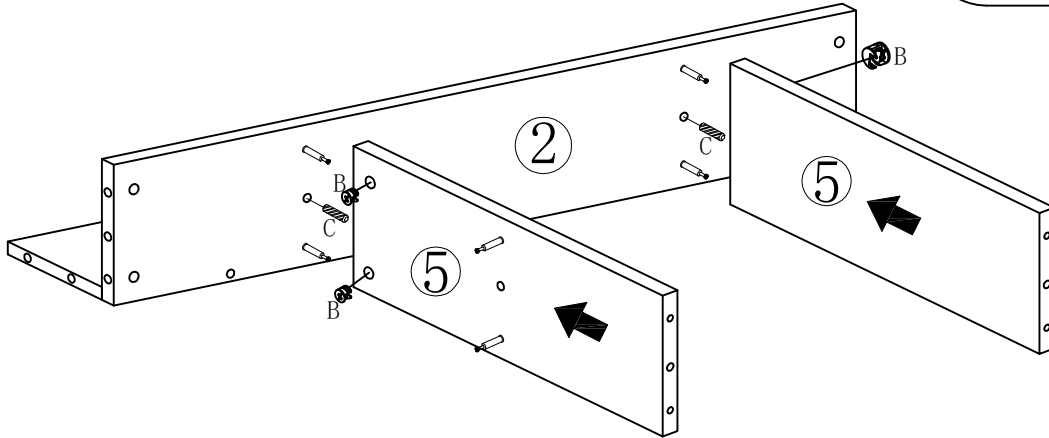
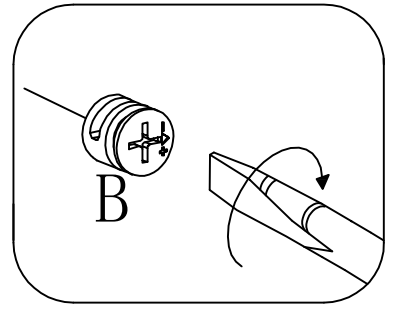
A	*20
	
ϕ 6X35	

STEP: 2



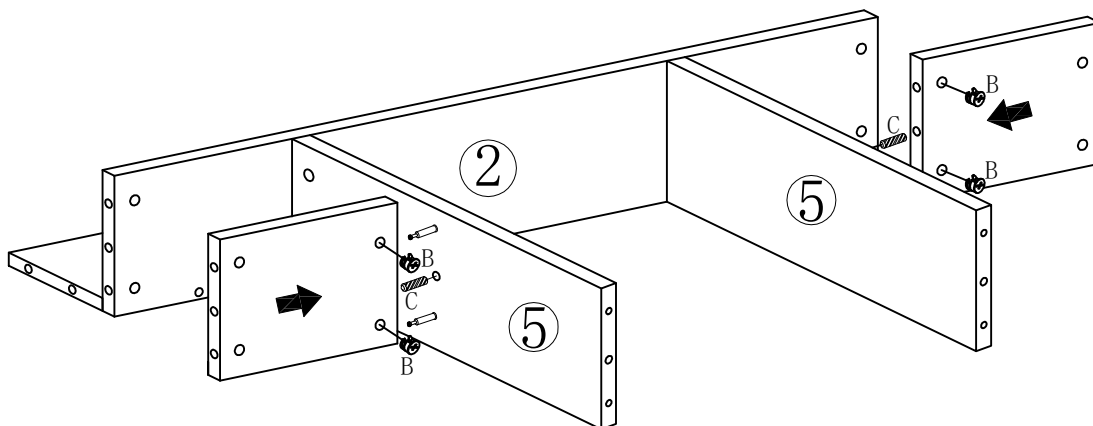
C	X4	D	X6	E	X1
					
ϕ 7. 8X30		ϕ 7X47		M4X55	

STEP: 3



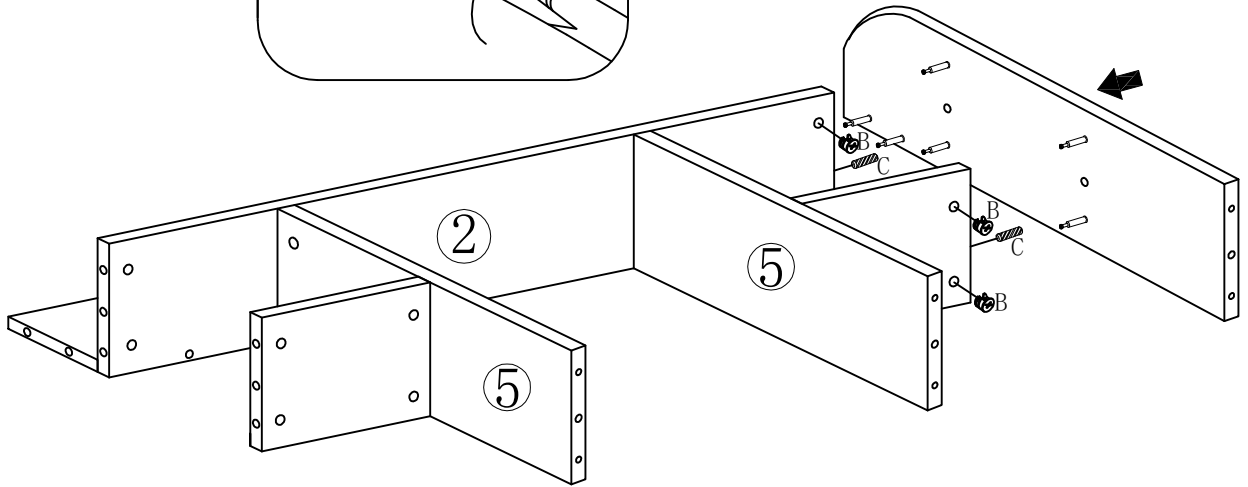
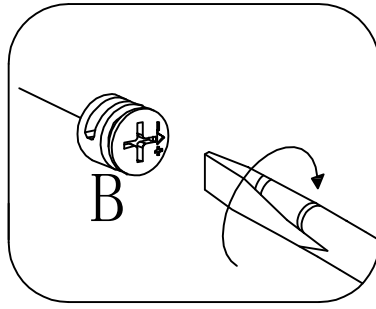
B	X4	C	X2
ϕ 15X12		ϕ 7. 8X30	



STEP: 4



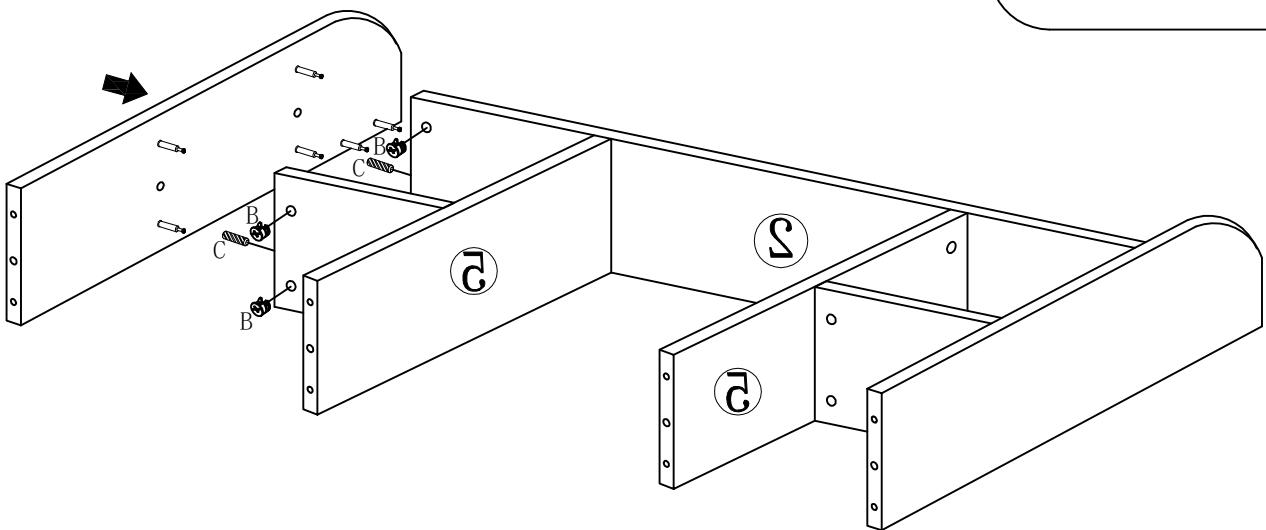
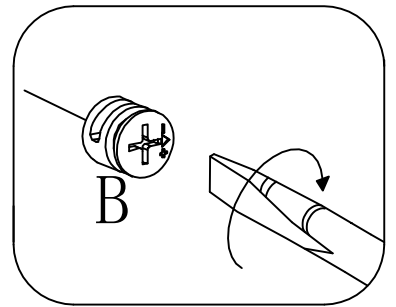
B	X4	C	X2
ϕ 15X12		ϕ 7. 8X30	



STEP: 5



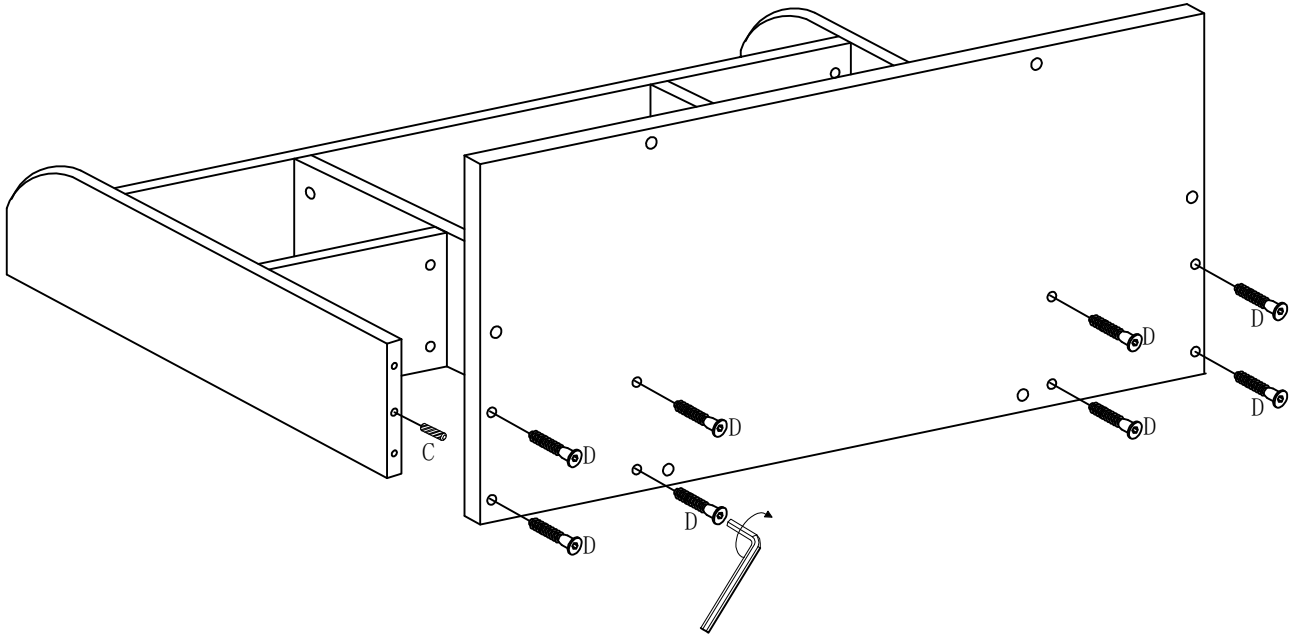
B	X4	C	X2
			
ϕ 15X12		ϕ 7.8X30	


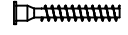
STEP: 6



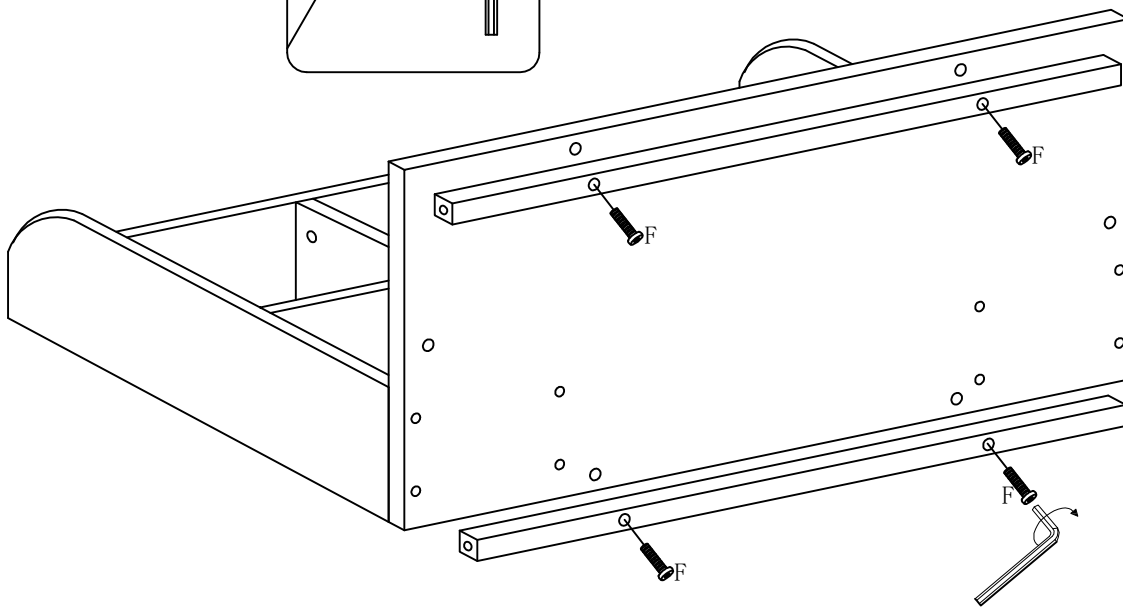
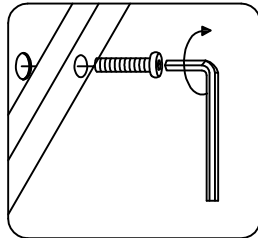
B	X4	C	X2
			
ϕ 15X12		ϕ 7.8X30	


STEP: 7



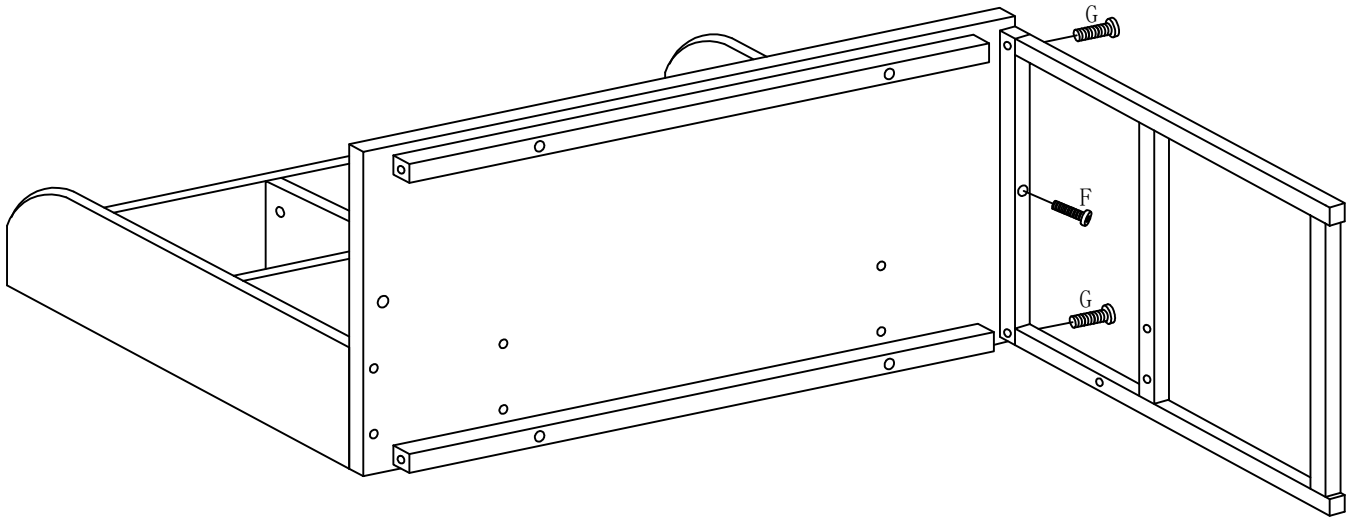
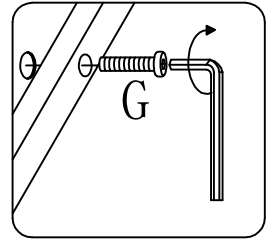
C	X4	D	X8
			
$\phi 7.8 \times 30$		$\phi 7 \times 47$	



STEP: 8



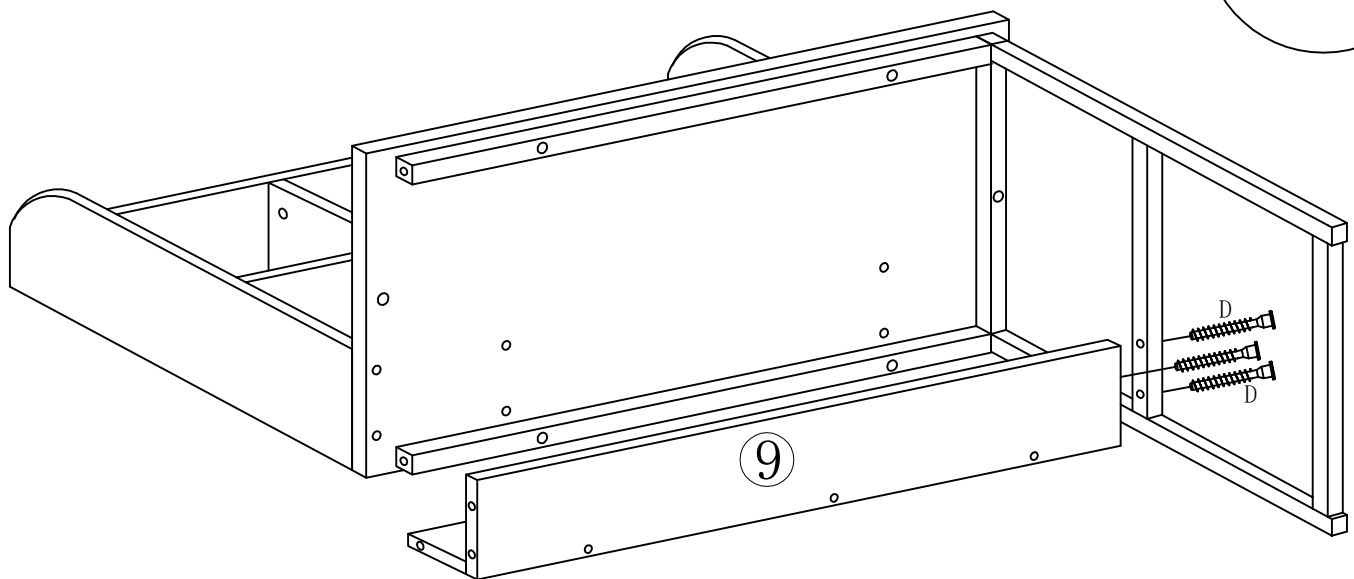
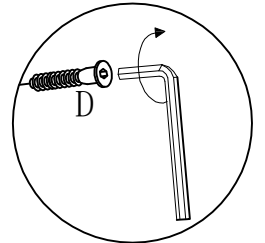
F	*4
	
$M6 \times 35 \text{mm}$	

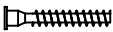
STEP: 9



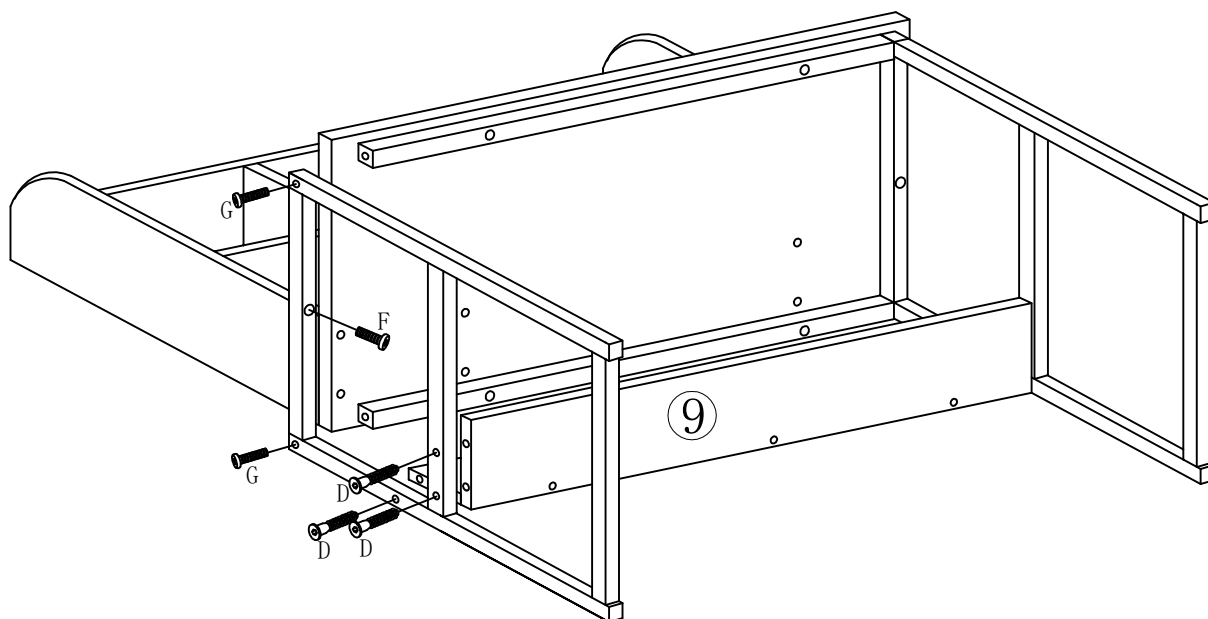
F	*1	G	*2
			
M6*35mm		M6*40mm	




STEP: 10



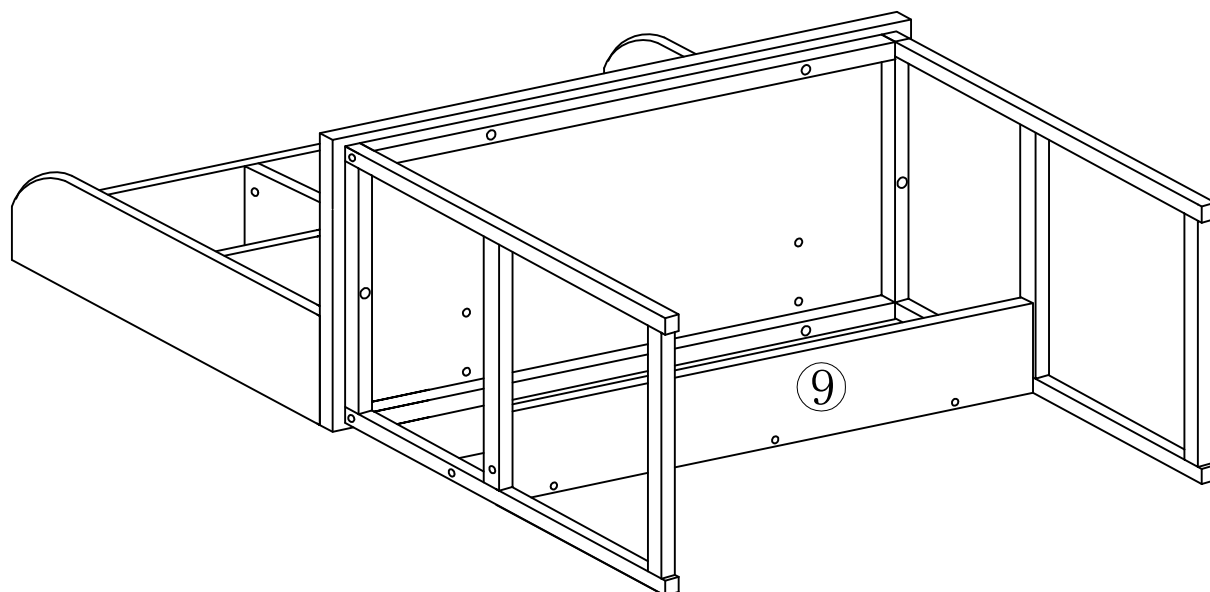
D	X3
	
Φ 7X47	

STEP: 11

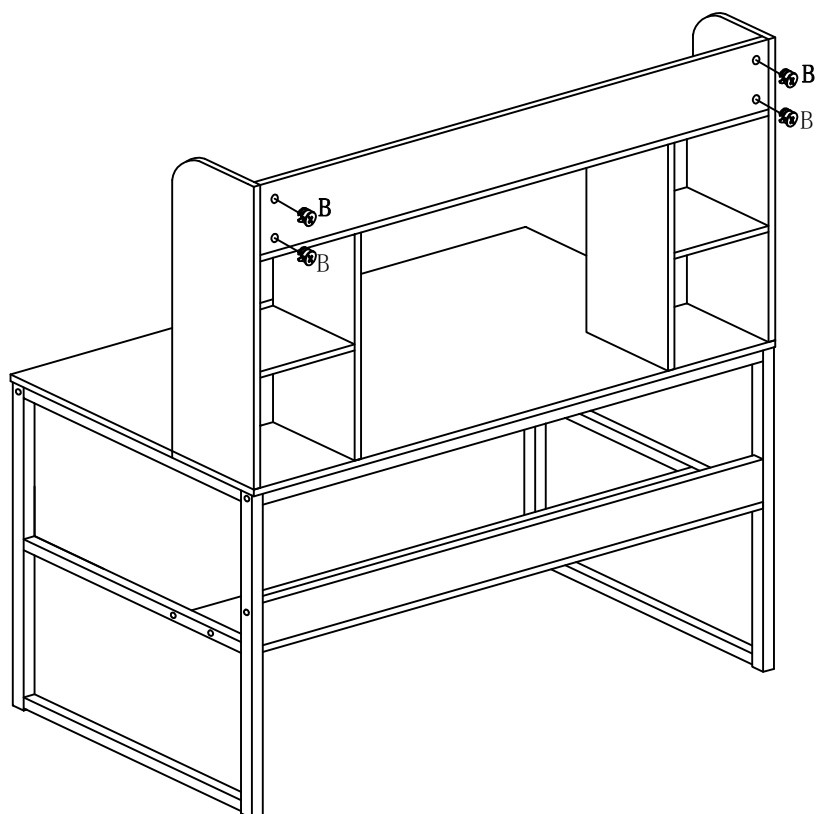



D	X3	F	*1	G	*2
					
ϕ 7X47		M6*35mm		M6*40mm	

STEP: 12



STEP: 13



B	X4
	
Φ 15X12	

STEP: 14

