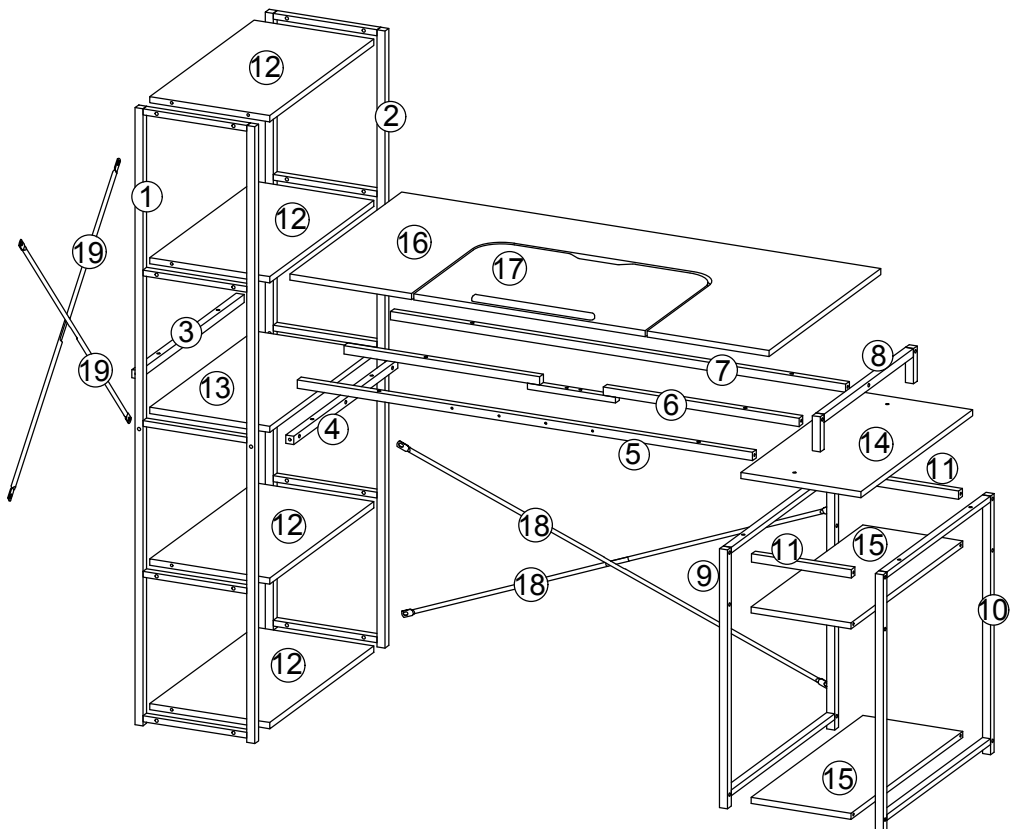
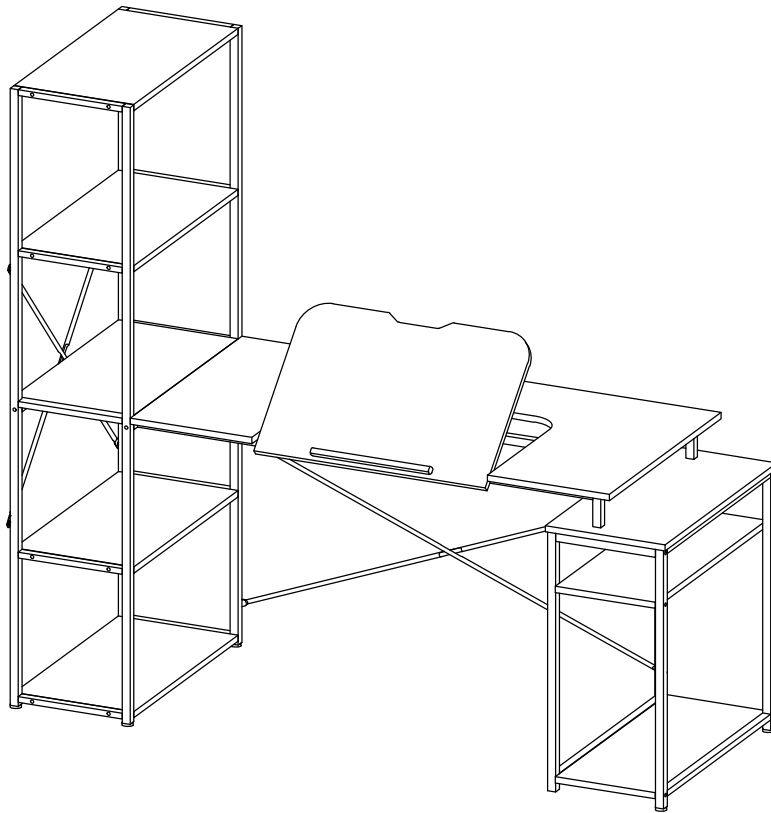
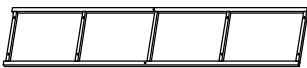

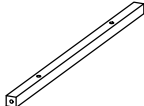
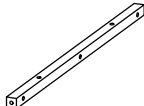

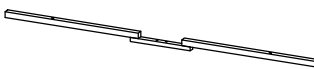

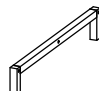
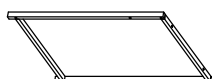


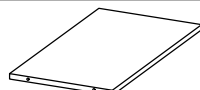

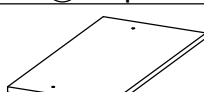







ASSEMBLY INSTRUCTIONS


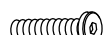
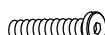

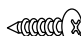
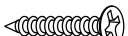
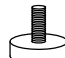




SKU: WF19444AAD

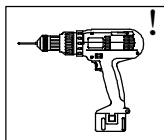


Part List

			
①×1pc	②×1pc	③×1pc	④×1pc
			
⑤×1pc	⑥×1pc	⑦×1pc	⑧×1pc
			
⑨×1pc	⑩×1pc	⑪×2pcs	⑫×4pcs
			
⑬×1pc	⑭×1pc	⑮×2pcs	⑯×1pc
			
⑰×1pc	⑱×2pcs	⑲×2pcs	

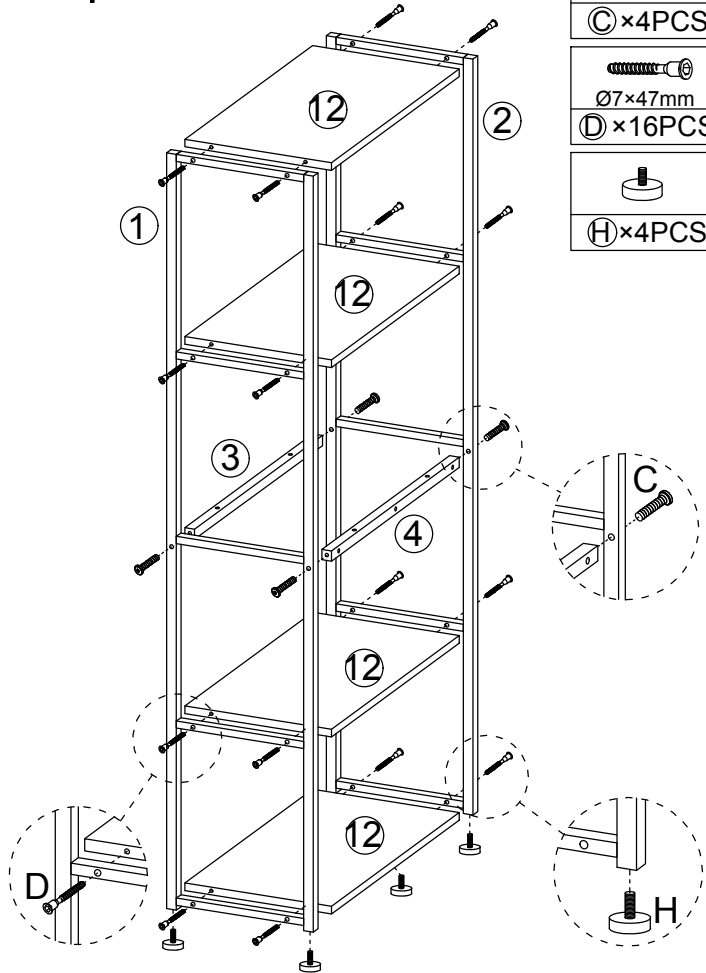
Hardware List

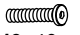
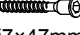

			
M6×12mm	M6×30mm	M6×40mm	Ø7×47mm
Ⓐ×10pcs	Ⓑ×14pcs	Ⓒ×16pcs	Ⓓ×24pcs
			
4×12mm	3.5×25mm		M4
Ⓔ×10pcs	Ⓕ×3pcs	Ⓗ×8pcs	Ⓘ×1pc
			
Ⓙ×1pc	Ⓚ×1pc	Ⓛ×1pc	



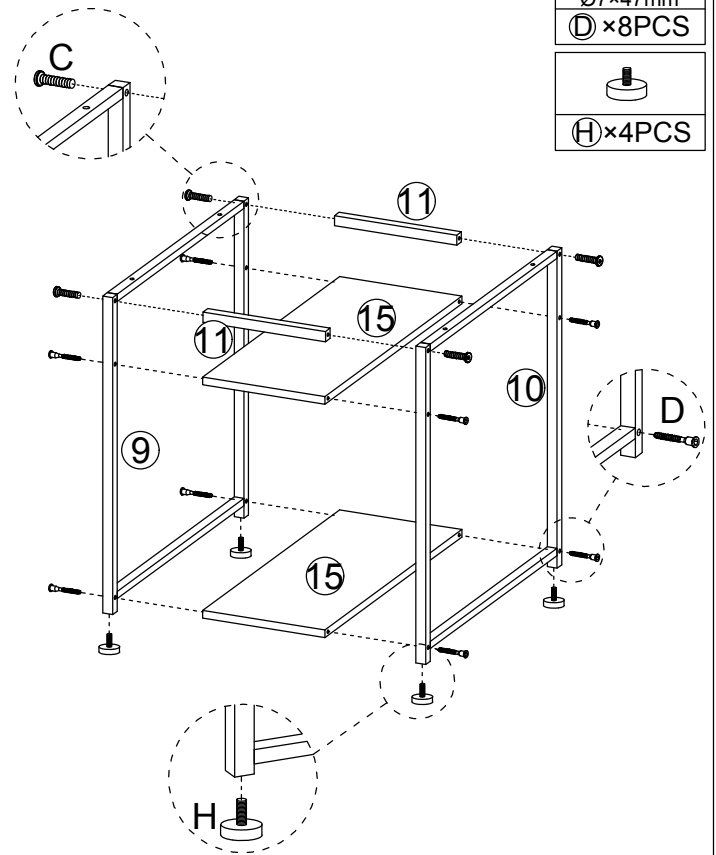
PLEASE BE CAREFUL DO NOT DAMAGE THE HOLE POSITION WHEN YOU USE POWER TOOLS !

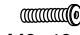
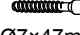

Step 1



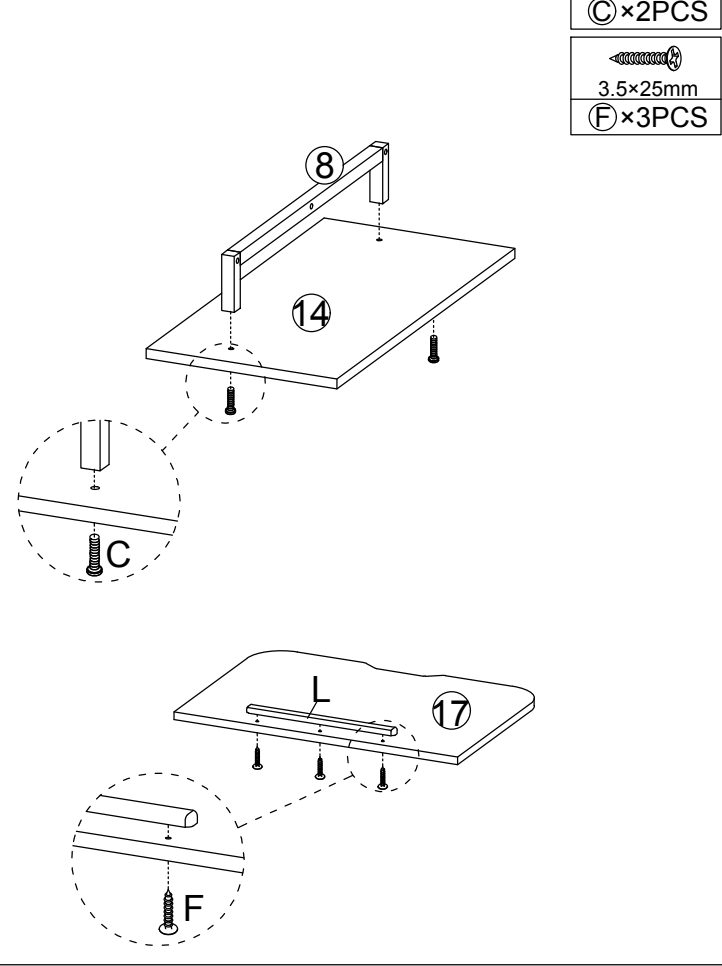
-  M6×40mm
C ×4PCS
-  Ø7×47mm
D ×16PCS
-  H ×4PCS

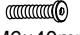

Step 2



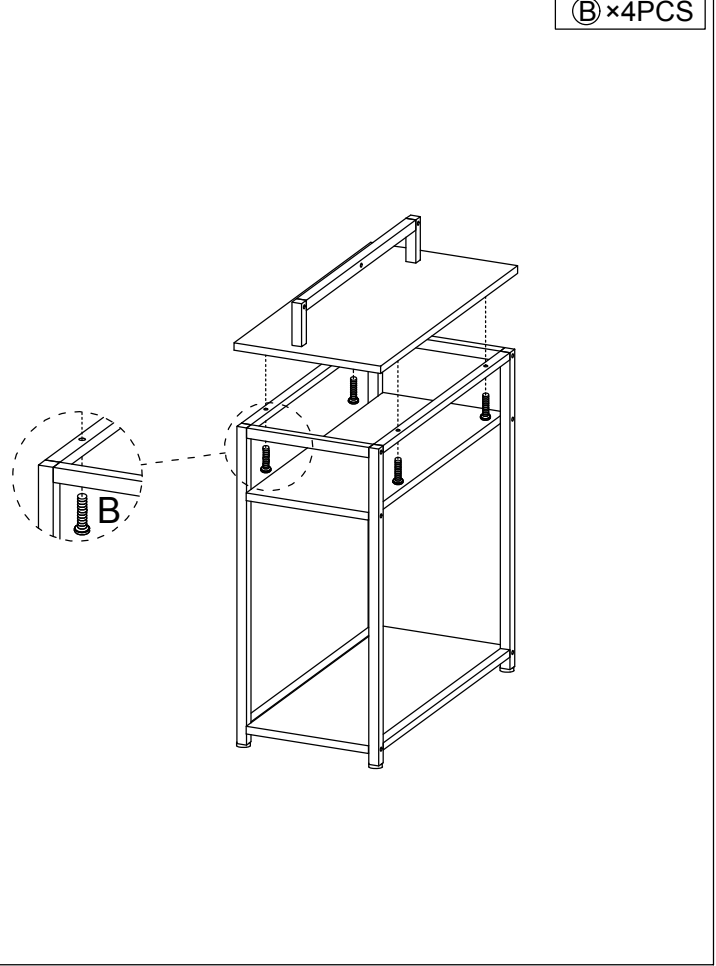
-  M6×40mm
C ×4PCS
-  Ø7×47mm
D ×8PCS
-  H ×4PCS

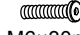
Step 3



-  M6×40mm
C ×2PCS
-  3.5×25mm
F ×3PCS

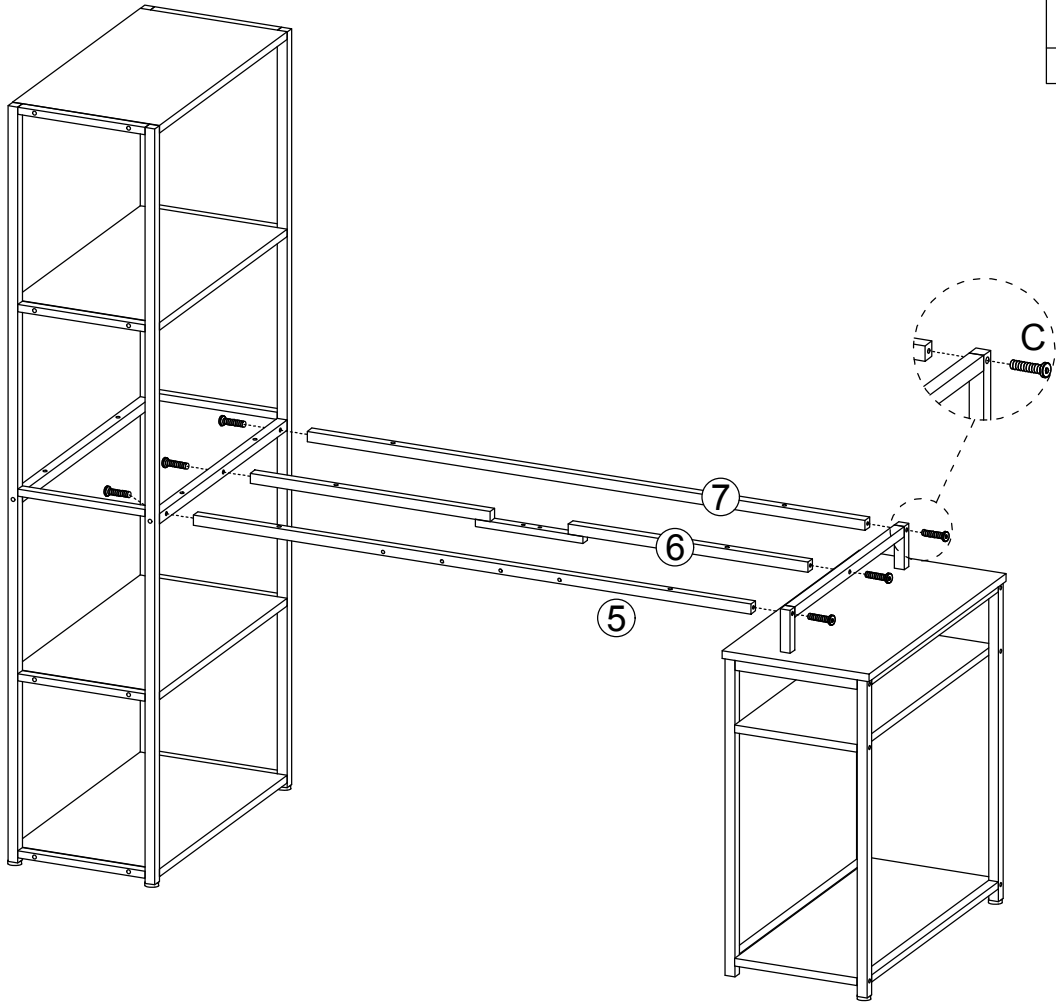
Step 4



-  M6×30mm
B ×4PCS

Step 5

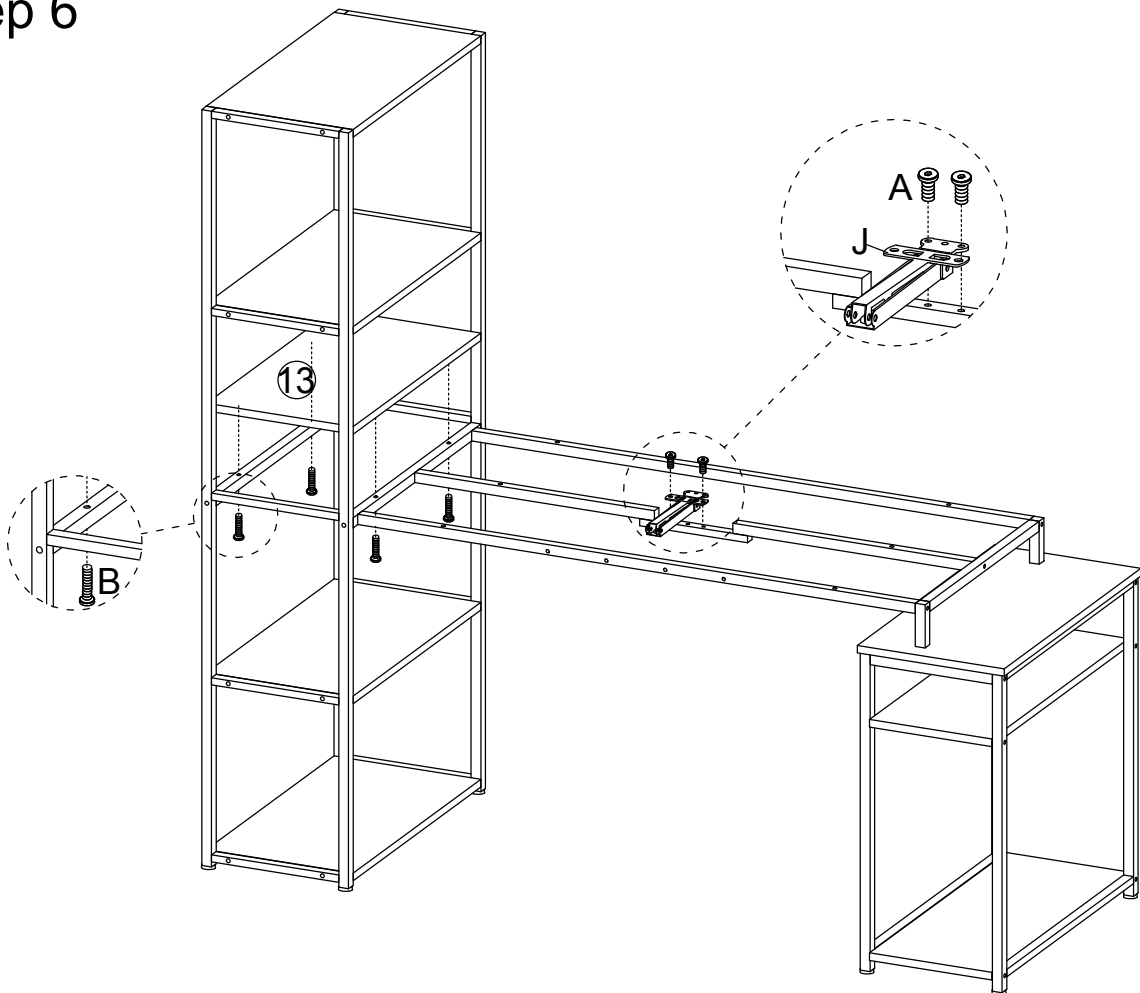
M6×40mm
C × 6PCS



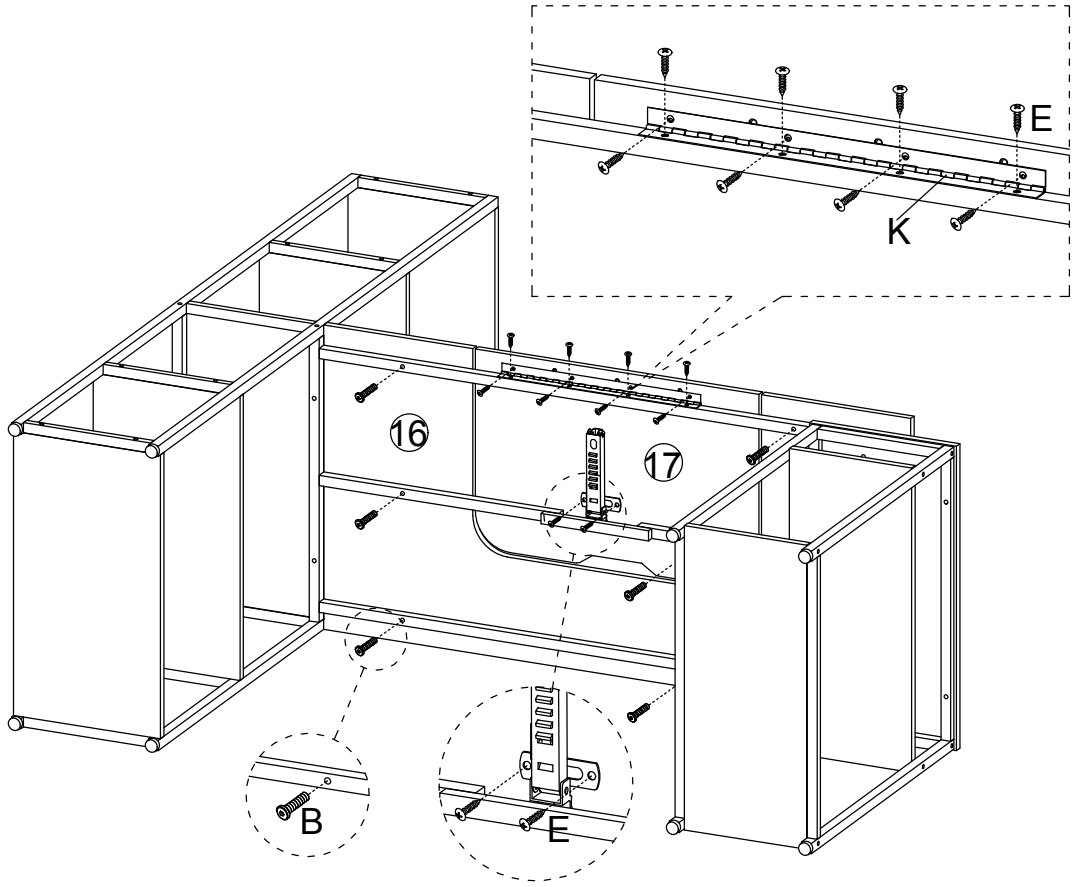
Step 6


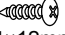
M6×12mm
A × 2PCS

M6×30mm
B × 4PCS

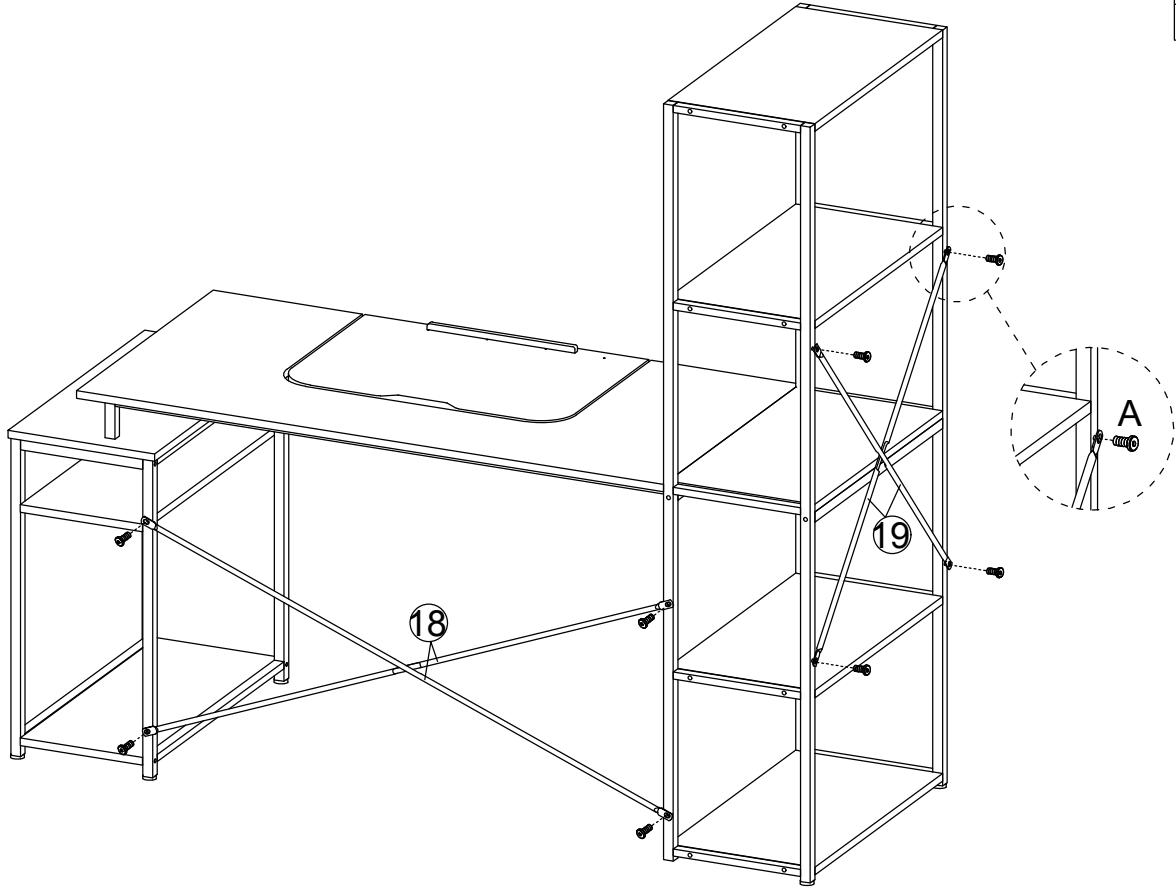


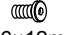
Step 7



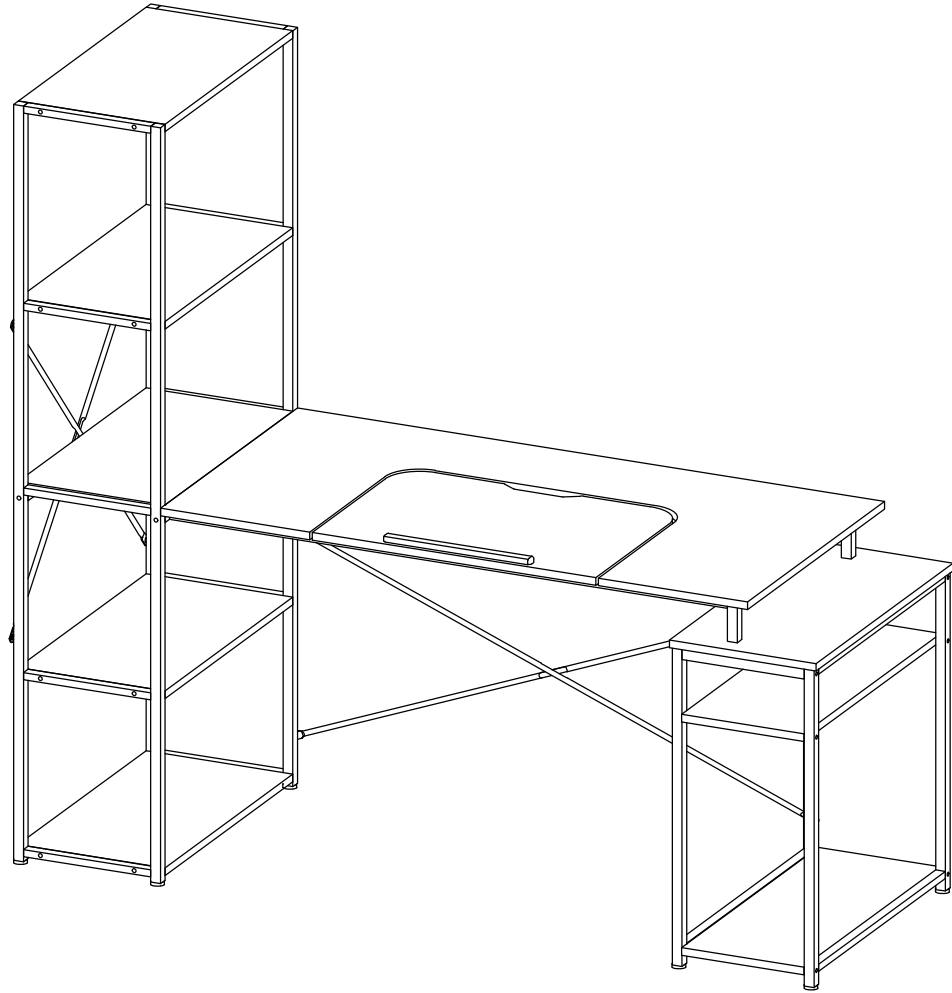
-  M6×30mm
(B) ×6PCS
-  4×12mm
(E) ×10PCS

Step 8



-  M6×12mm
(A) ×8PCS

Step 9



Step 10

