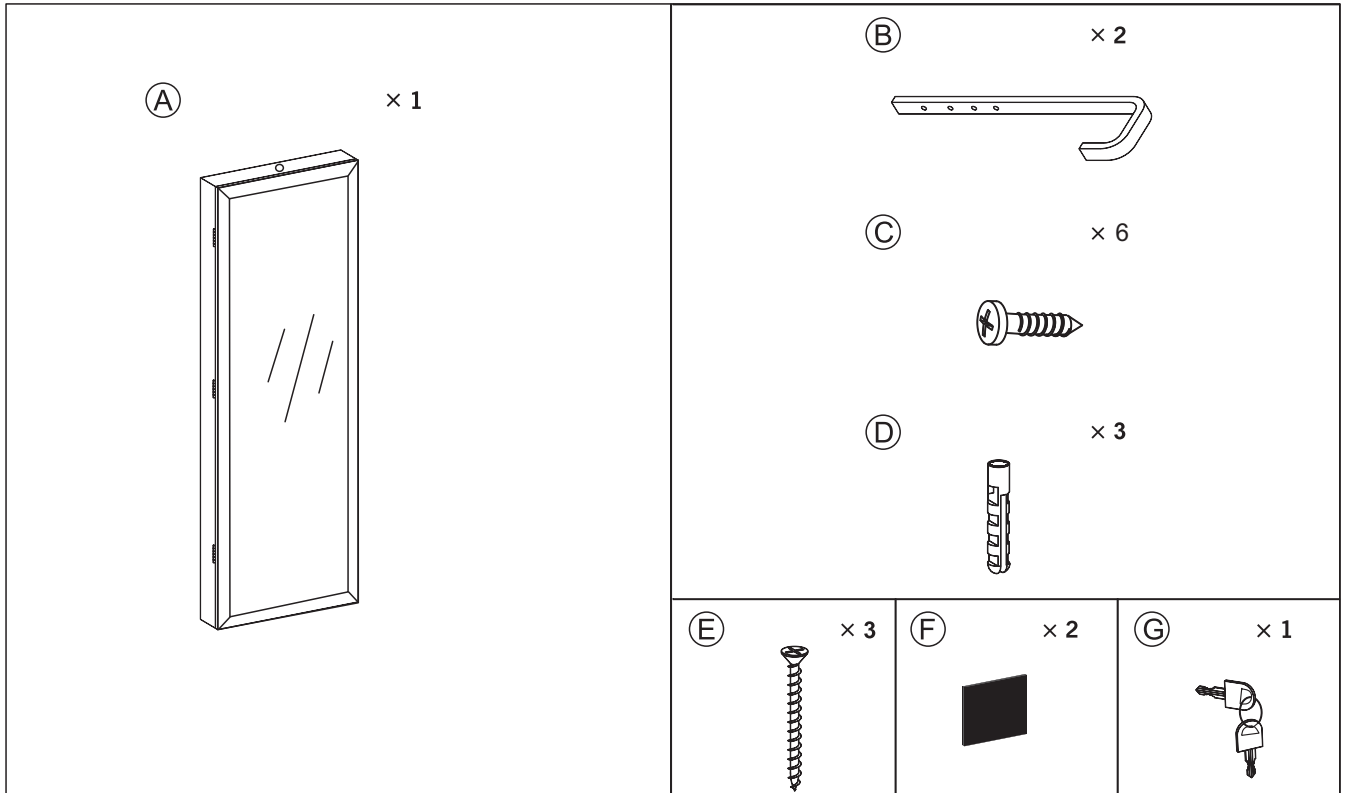
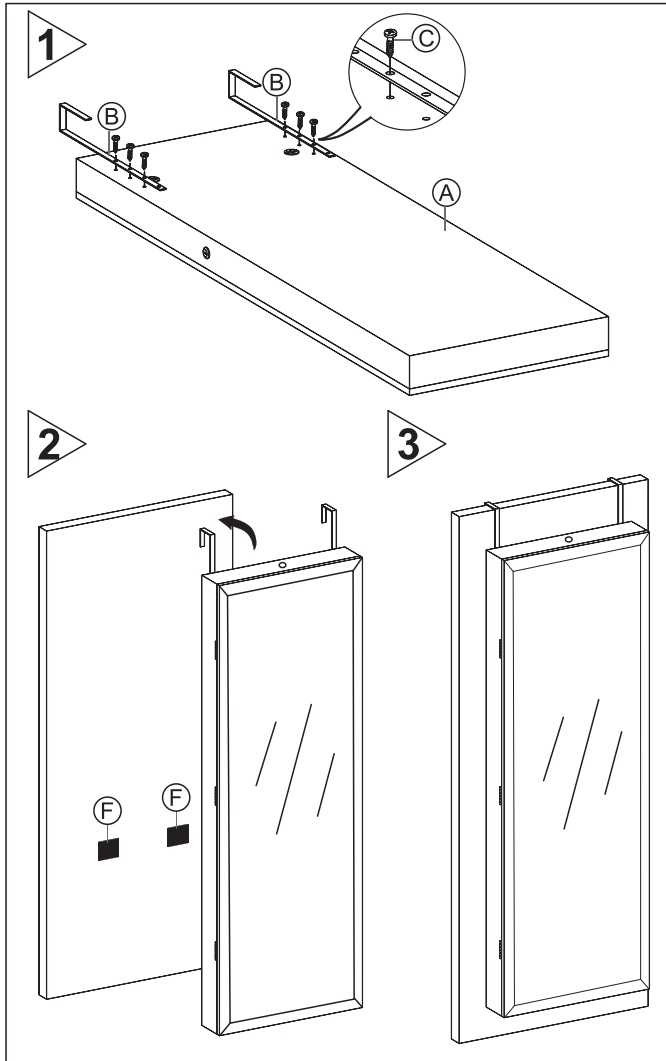


ASSEMBLY INSTRUCTIONS



Method 1



Method 2

