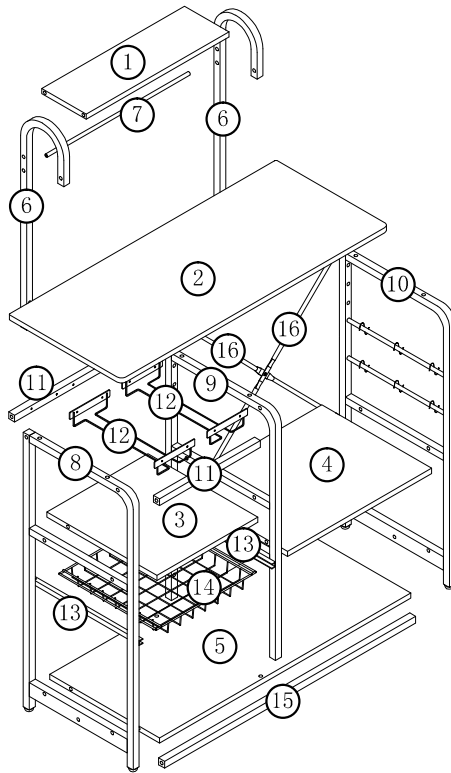
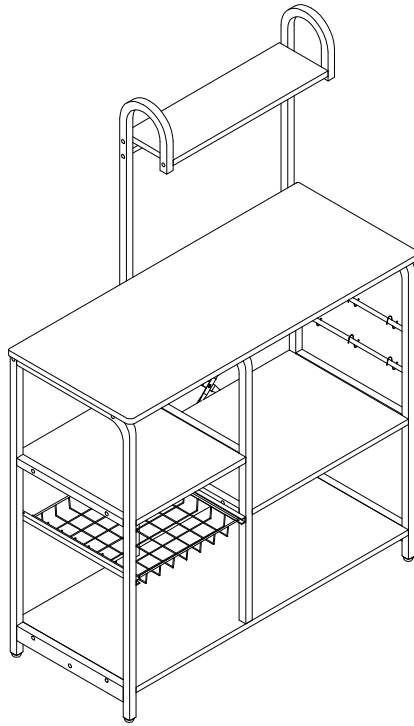
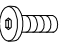

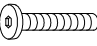



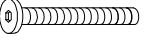
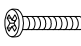




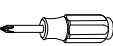
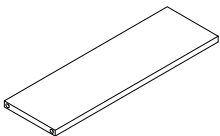
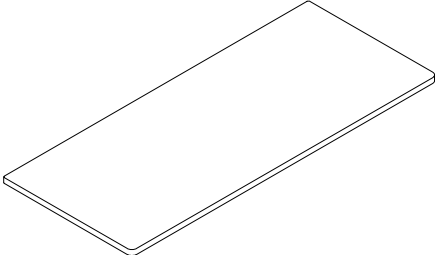
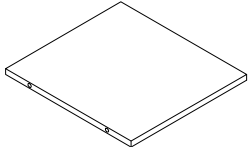
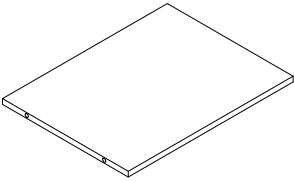
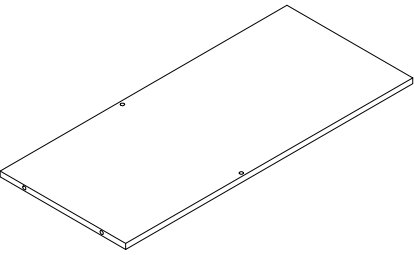

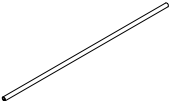
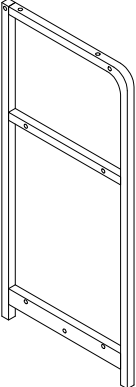
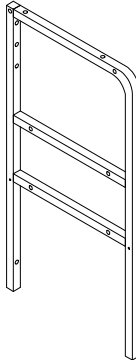
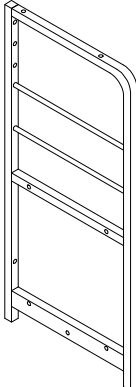
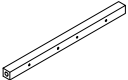
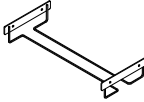

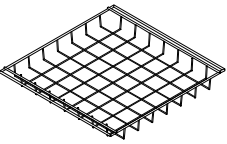
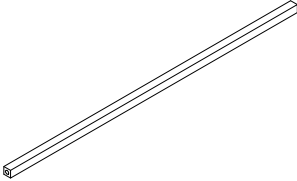
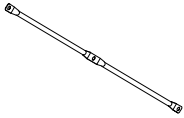


ASSEMBLY INSTRUCTION



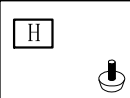
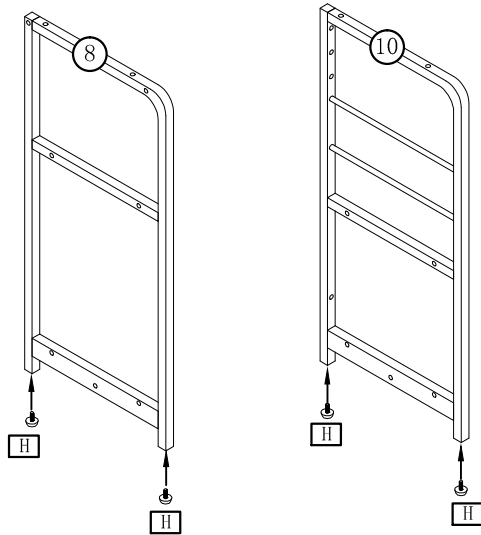
No.	PICTURE	SIZE	QTY	No.	PICTURE	SIZE	QTY
A		M6*10	1	G		M6	9
B		M6*30	14	H			4
C		M6*40	6	I			6
D		M6*50	4	J		M4*18	2
E		ST5*50	16				
F		ST4*10	12		  		1

ASSEMBLY INSTRUCTION

<p>①</p>  <p>X1</p>	<p>②</p>  <p>X1</p>	<p>③</p>  <p>X1</p>	
<p>④</p>  <p>X1</p>	<p>⑤</p>  <p>X1</p>	<p>⑥</p>  <p>X2</p>	
<p>⑦</p>  <p>X1</p>	<p>⑧</p>  <p>X1</p>	<p>⑨</p>  <p>X1</p>	
<p>⑩</p>  <p>X1</p>	<p>⑪</p>  <p>X2</p>	<p>⑫</p>  <p>X2</p>	
<p>⑬</p>  <p>X2</p>	<p>⑭</p>  <p>X1</p>	<p>⑮</p>  <p>X1</p>	<p>⑯</p>  <p>X2</p>

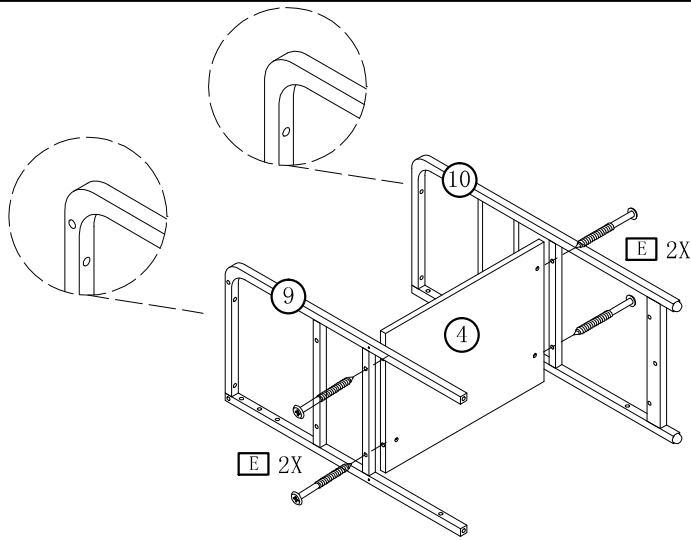
ASSEMBLY INSTRUCTION

STEP 1



X4

STEP 2

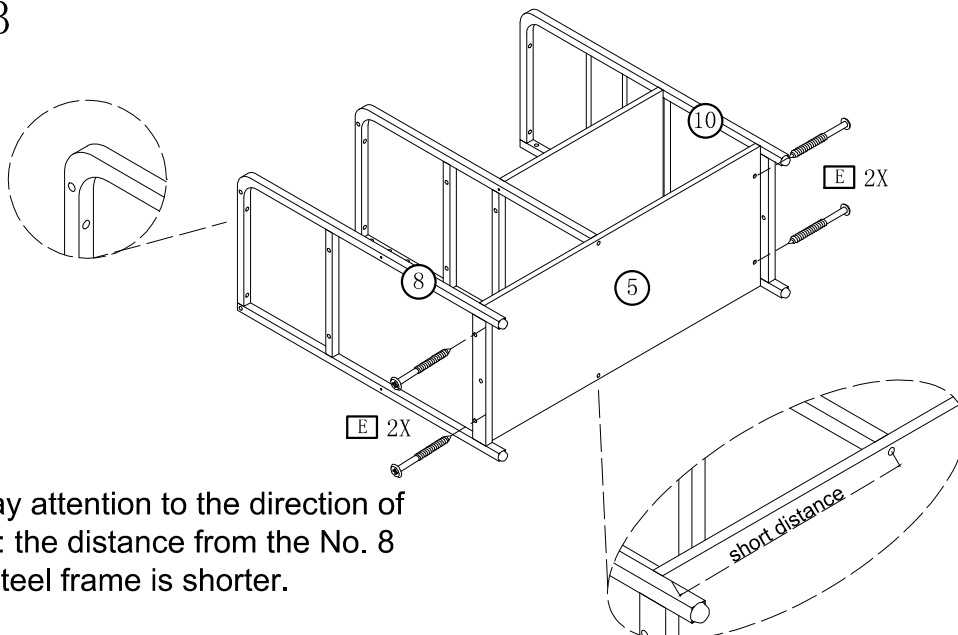


E ST5*50



X4

STEP 3



Please pay attention to the direction of this hole: the distance from the No. 8 steel frame is shorter.

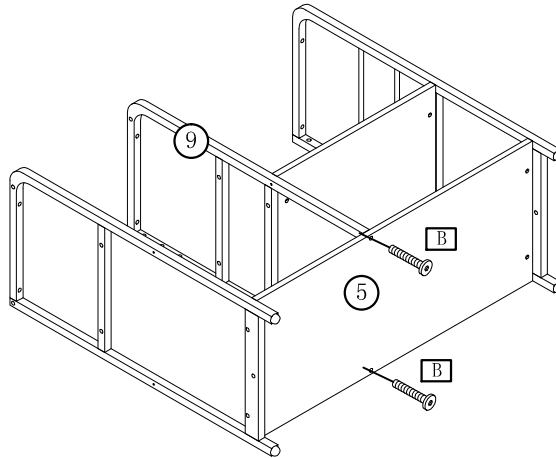
E ST5*50




X4

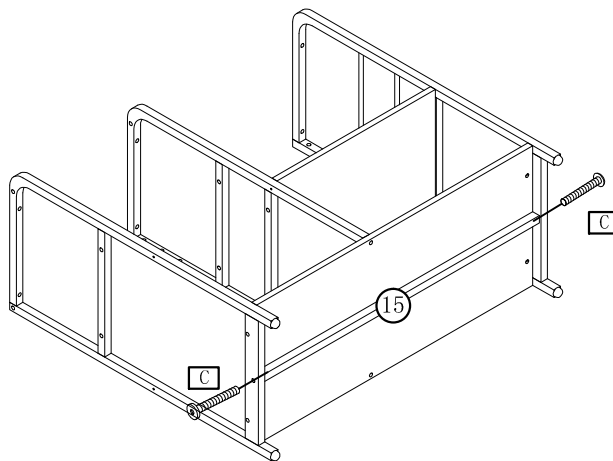
ASSEMBLY INSTRUCTION

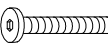
STEP 4



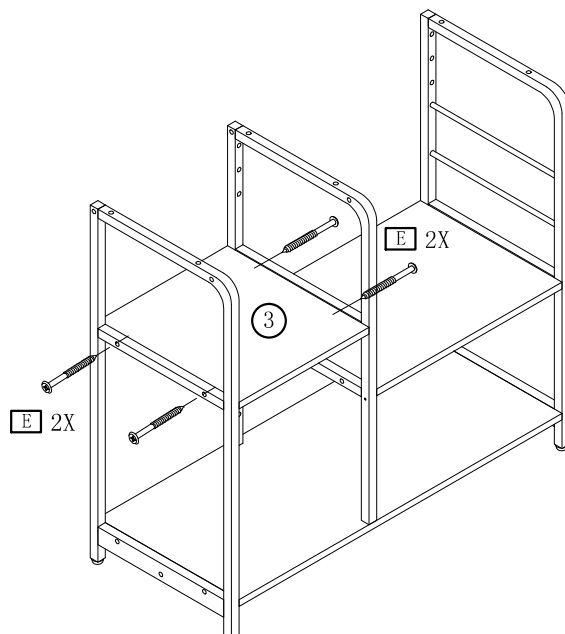
B M6*30

X2


STEP 5



C M6*40

X2

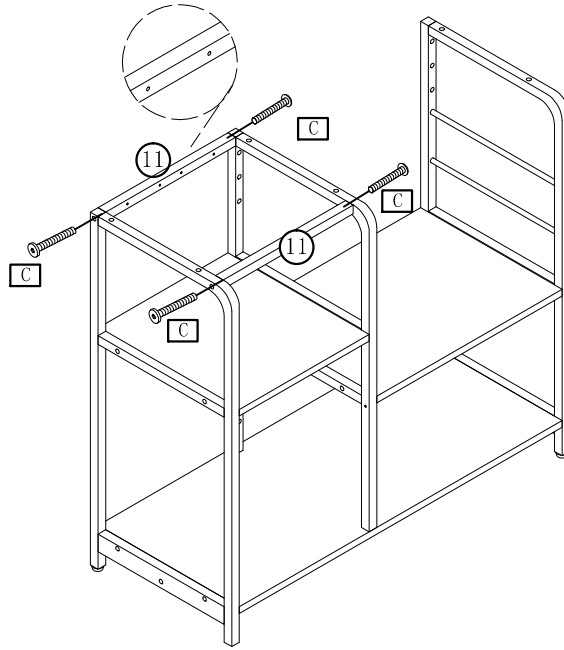
STEP 6




E ST5*50

X4

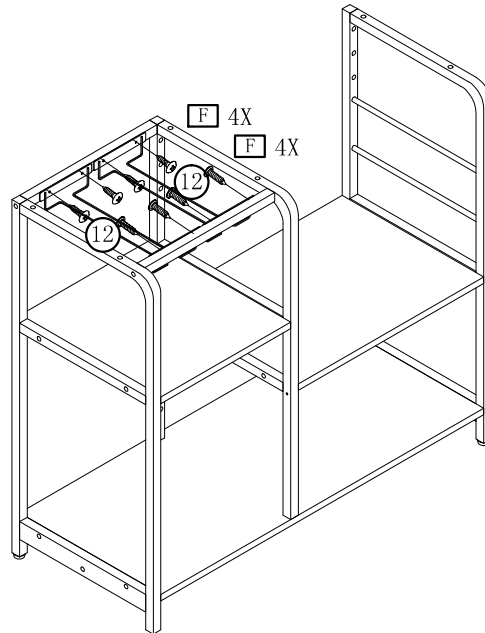
ASSEMBLY INSTRUCTION


STEP 7



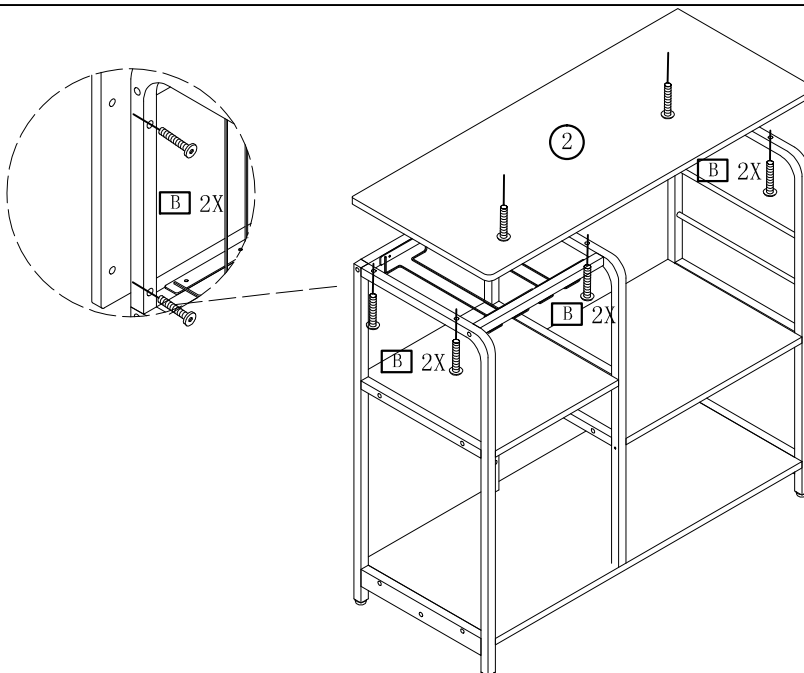
C M6*40

X4

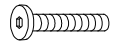
STEP 8



F ST4*10

X8

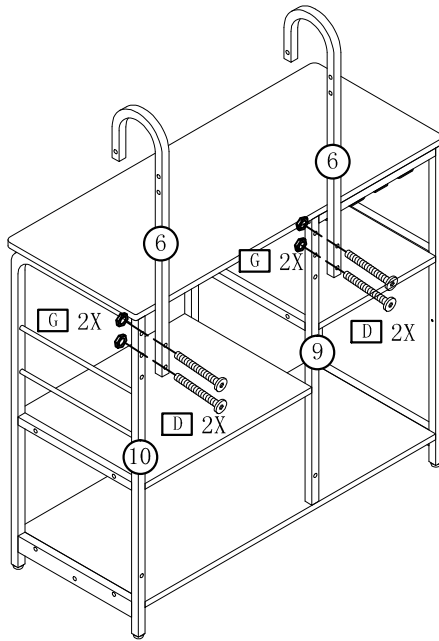
STEP 9

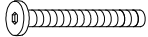



B M6*30

X6

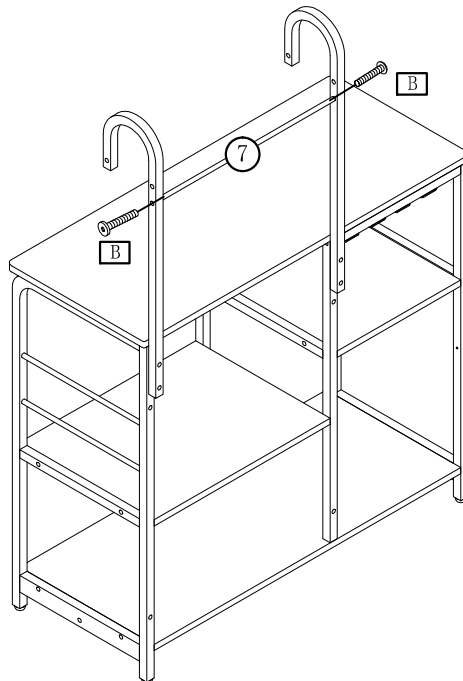
ASSEMBLY INSTRUCTION

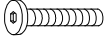
STEP 10



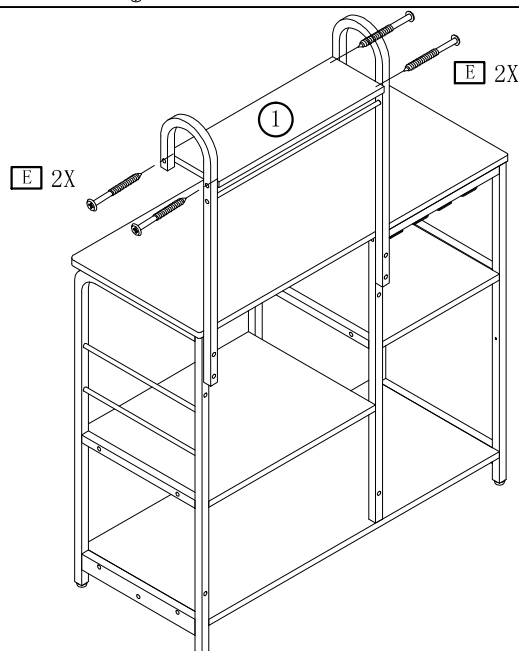
D	M6*50
	X4
G	M6
	X4


STEP 11



B	M6*30
	X2

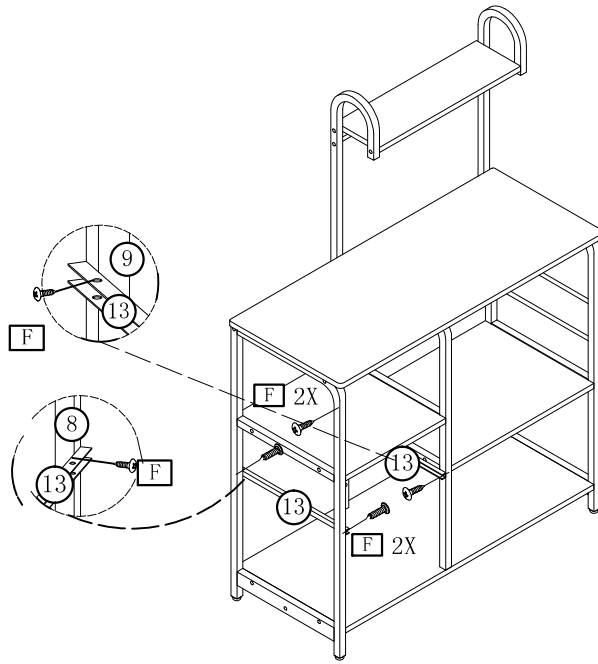
STEP 12



E	ST5*50
	X4

ASSEMBLY INSTRUCTION

STEP 13

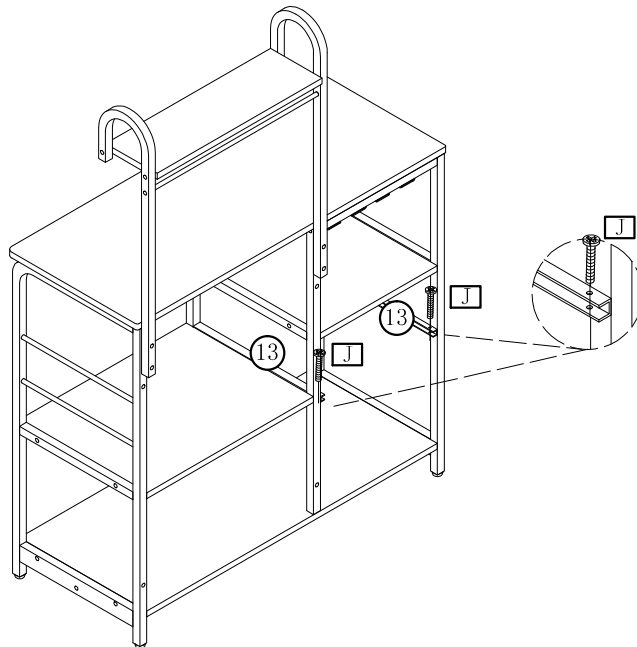


F ST4*10



X4

STEP 14

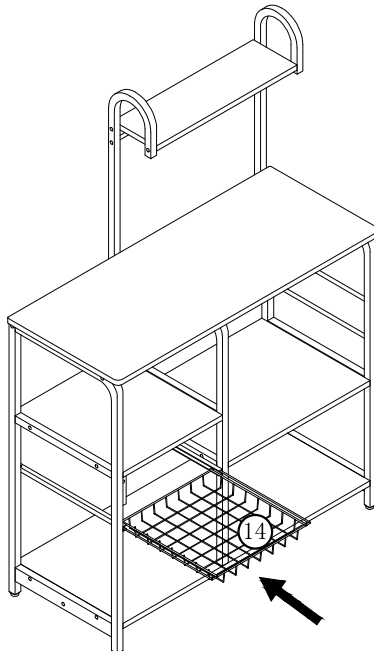


J M4*18



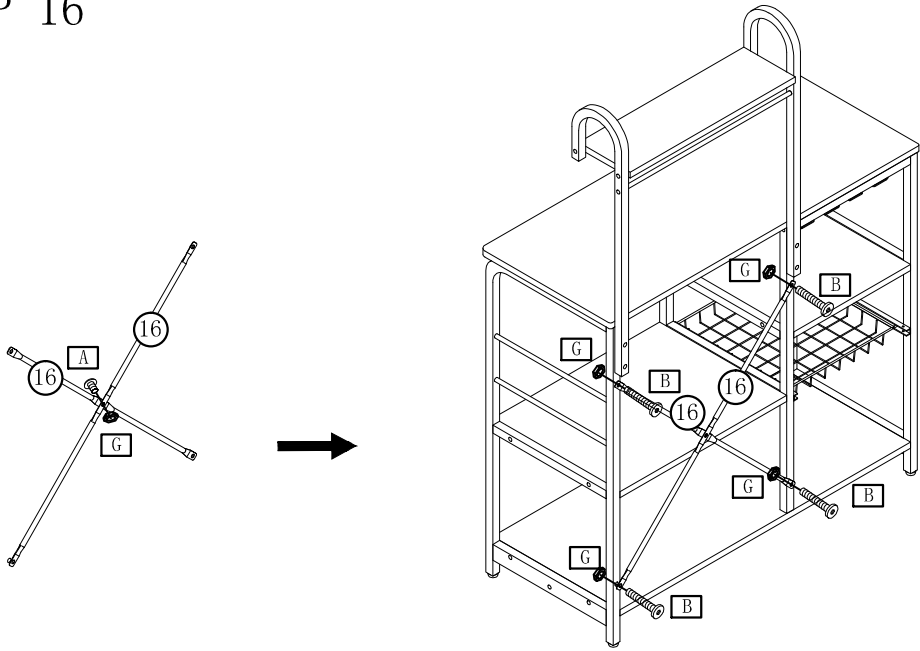
X2

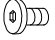
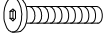

STEP 15



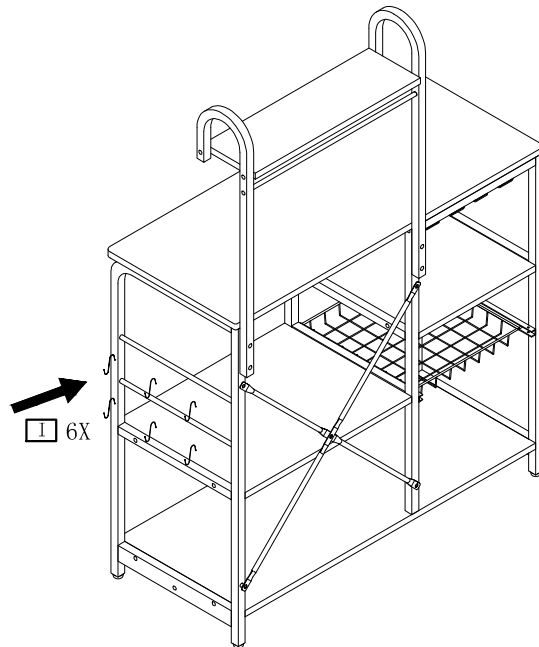
ASSEMBLY INSTRUCTION

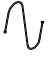
STEP 16



A	M6*10	
		X1
B	M6*30	
		X4
G	M6	
		X5

STEP 17



I		
		X6

