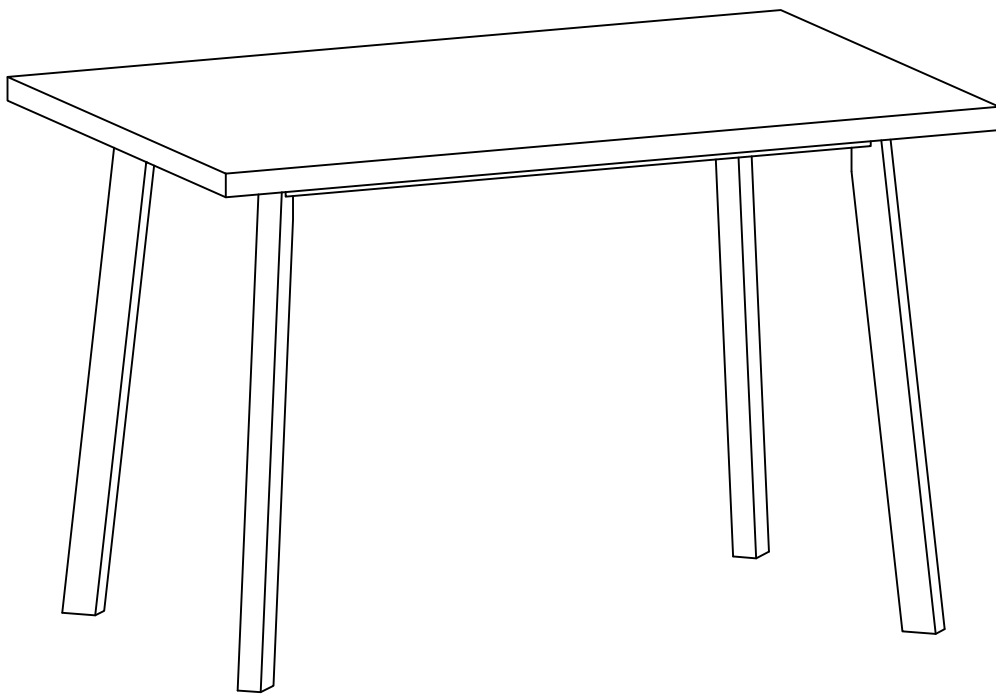


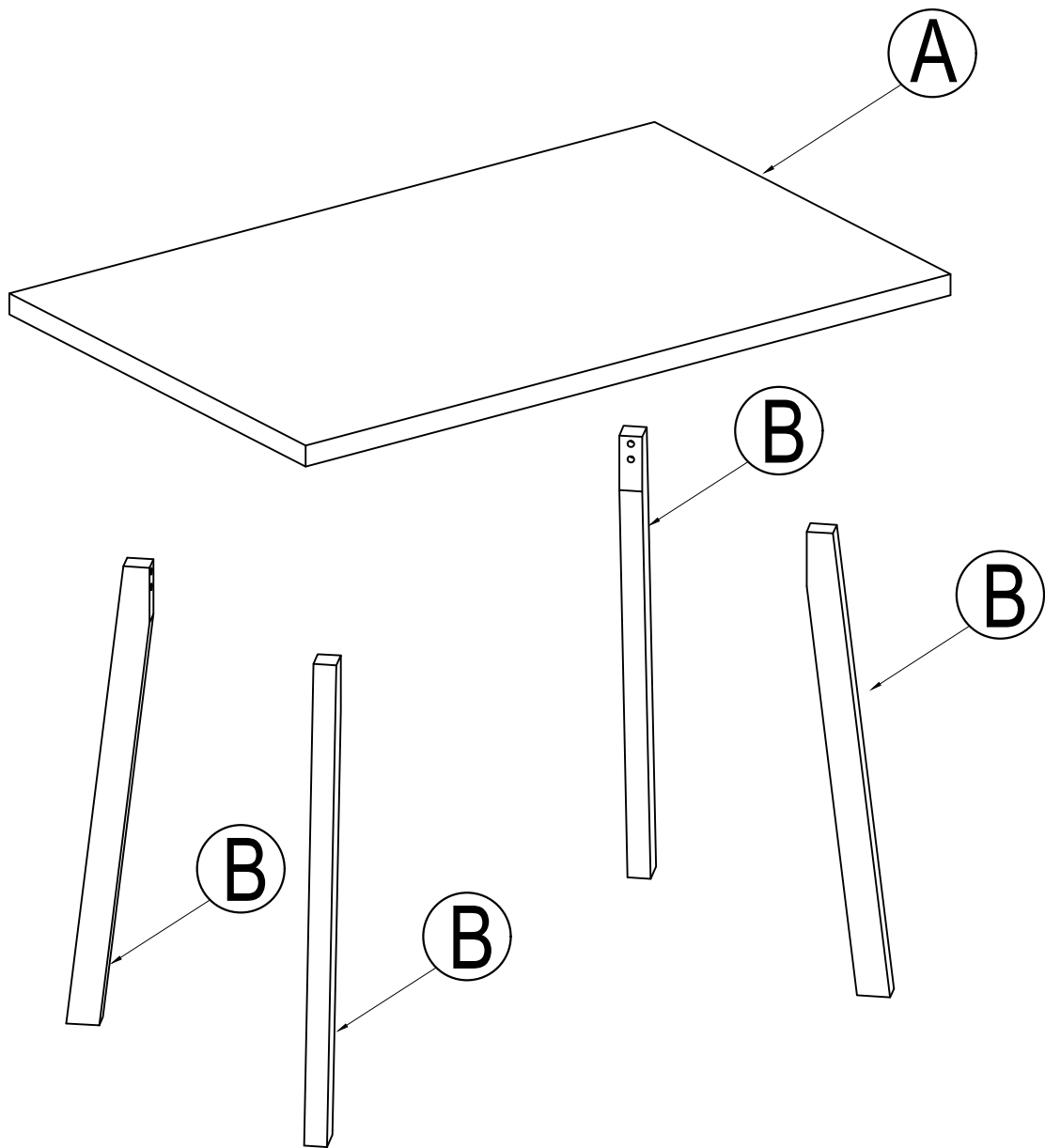
ASSEMBLY INSTRUCTIONS

ITEM NO.WF280110



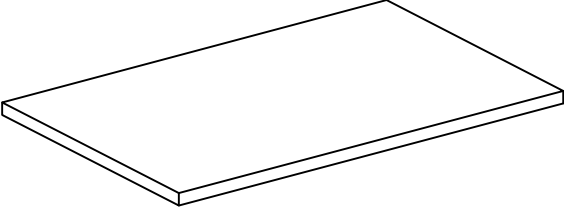
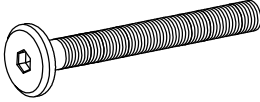
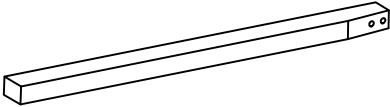

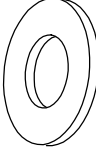

IMPORTANT NOTE :

- ① PLACE ALL PARTS ON A CLEAN AND SMOOTH SURFACE SUCH AS A RUG OR CARPET TO AVOID THE PARTS FROM BEING SCRATCHED.
- ② BEFORE YOU BEGIN,KINDLY FOLLOW THE ASSEMBLY INSTRUCTIONS STEP BY STEP.
- ③ DO NOT TIGHTEN ALL SCREWS AND BOLTS UNTIL THE CHAIR IS FULLY SET-UP.

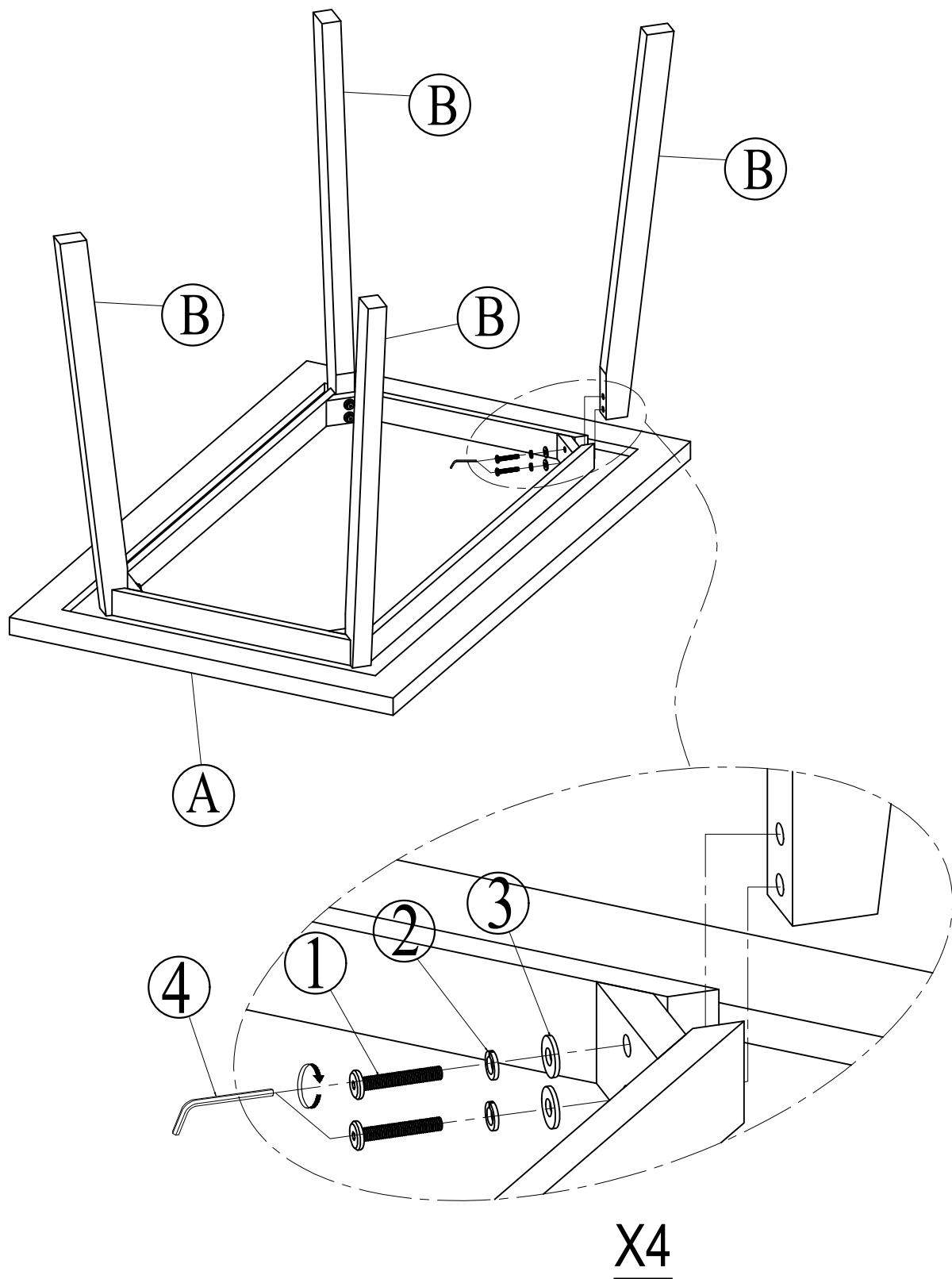


Part List

Hardware List

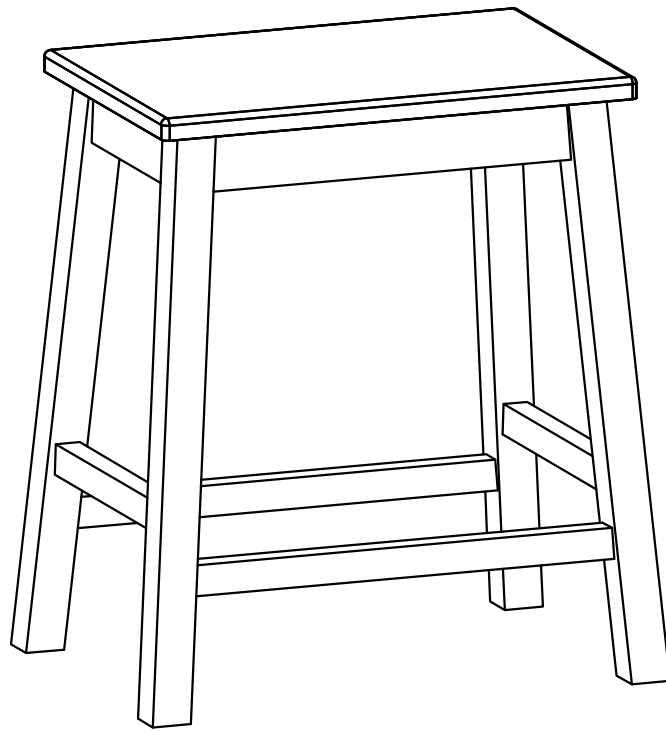
| | |
|---|--|
| <p>Ⓐ</p>  | <p>①</p>  <p>Ø 1/4" x 40 mm</p> |
| <p>TABLE TOP (1 pc)</p> | <p>BOLT (8 pcs)</p> |
| <p>Ⓑ</p>  | <p>②</p>  <p>Ø5/16" x 13 mm</p> |
| <p>TABLE LEG (4 pcs)</p> | <p>FLAT WASHER (8 pcs)</p> |
| | <p>③</p>  <p>Ø5/16" x 19 mm</p> |
| | <p>LOCK WASHER (8 pcs)</p> |
| | <p>④</p>  <p>4 mm</p> <p>ALLEN KEY (1 pc)</p> |

STEP 1:



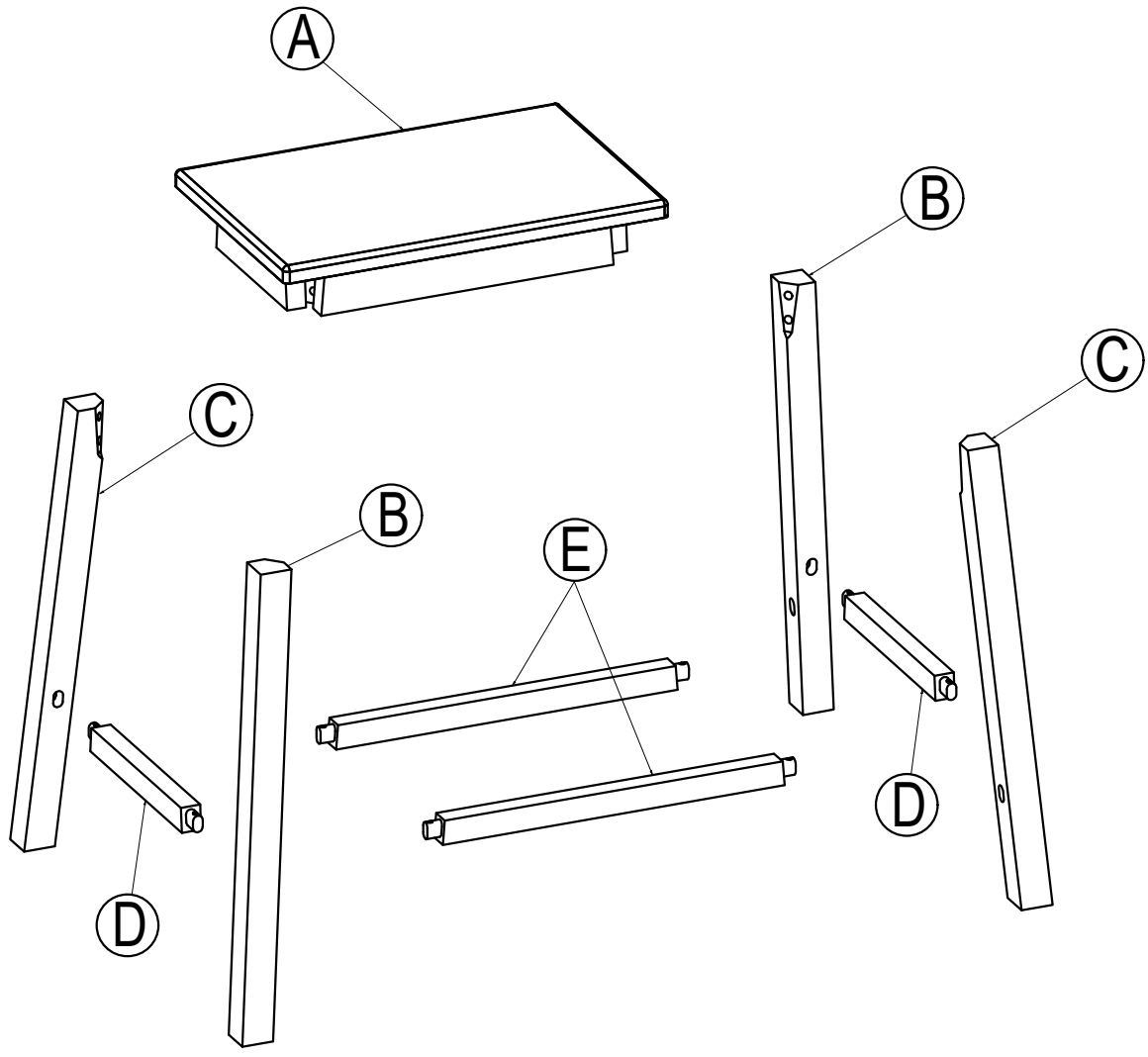
ASSEMBLY INSTRUCTIONS

ITEM NO.WF280110



IMPORTANT NOTE :

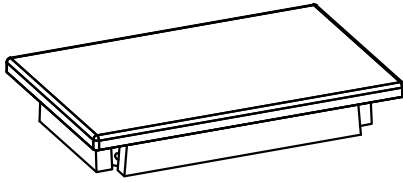
- ① PLACE ALL PARTS ON A CLEAN AND SMOOTH SURFACE SUCH AS A RUG OR CARPET TO AVOID THE PARTS FROM BEING SCRATCHED.
- ② BEFORE YOU BEGIN,KINDLY FOLLOW THE ASSEMBLY INSTRUCTIONS STEP BY STEP.
- ③ DO NOT TIGHTEN ALL SCREWS AND BOLTS UNTIL THE CHAIR IS FULLY SET-UP.



Part List

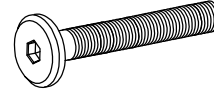
Hardware List

(A)



CUSHION SEAT (4 pcs)

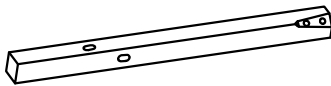
(1)



Ø 1/4" x 50 mm

BOLT (32 pcs)

(B)



LEG LEFT (8 pcs)

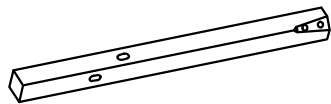
(2)



Ø5/16" x 13 mm

FLAT WASHER (32 pcs)

(C)



LEG RIGHT (8 pcs)

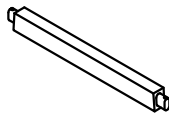
(3)



Ø5/16" x 19 mm

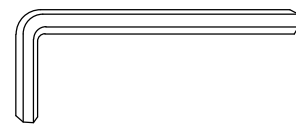
LOCK WASHER (32 pcs)

(D)



SHORT STRETCHER (8 pcs)

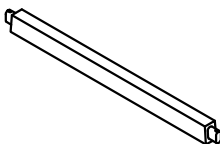
(4)



4 mm

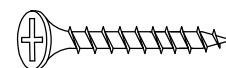
ALLEN KEY (1 pc)

(E)



LONG STRETCHER (8 pcs)

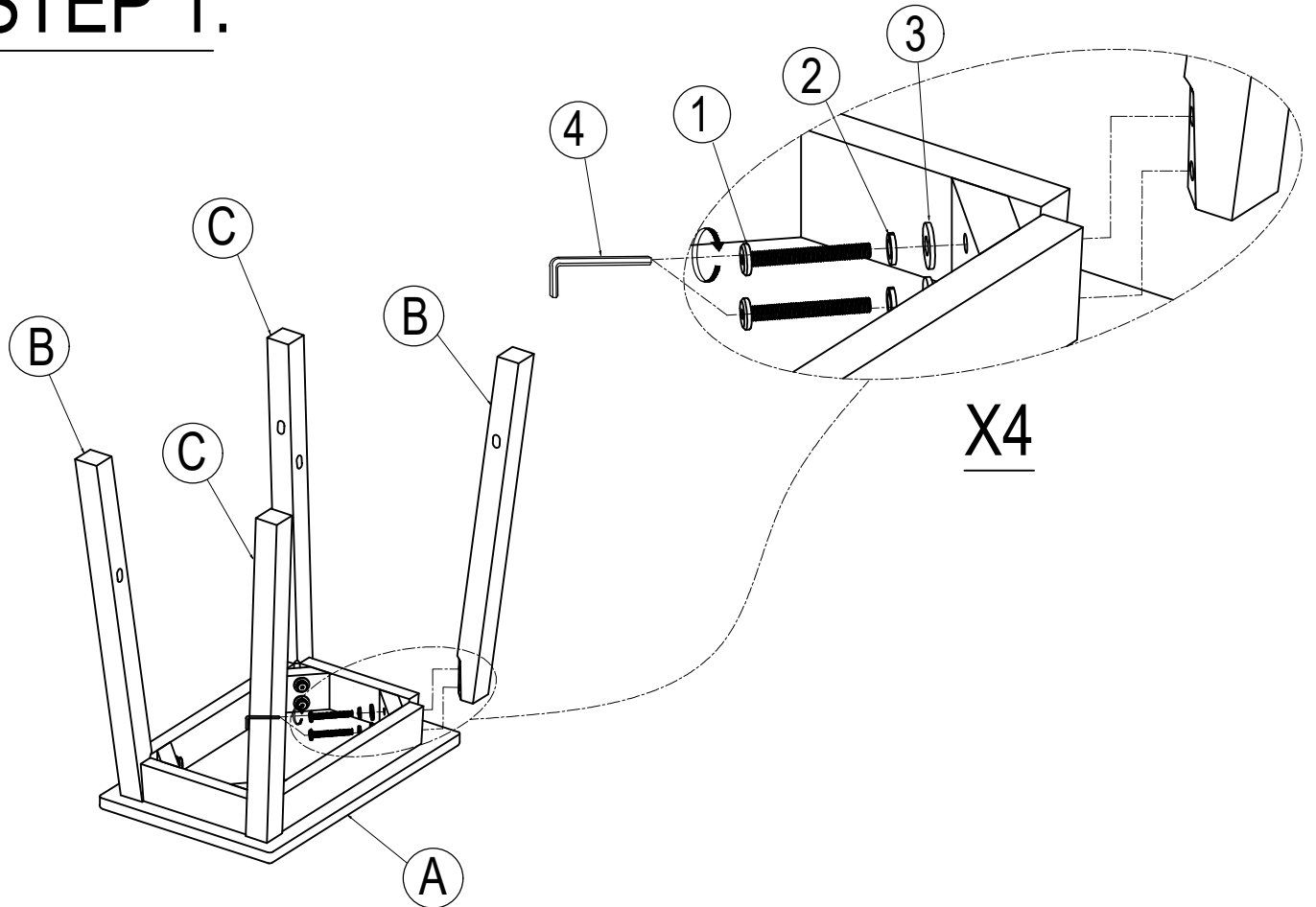
(5)



Ø 4 x 38 mm

WOOD SCREWS (32 pcs)

STEP 1:



STEP 2:

