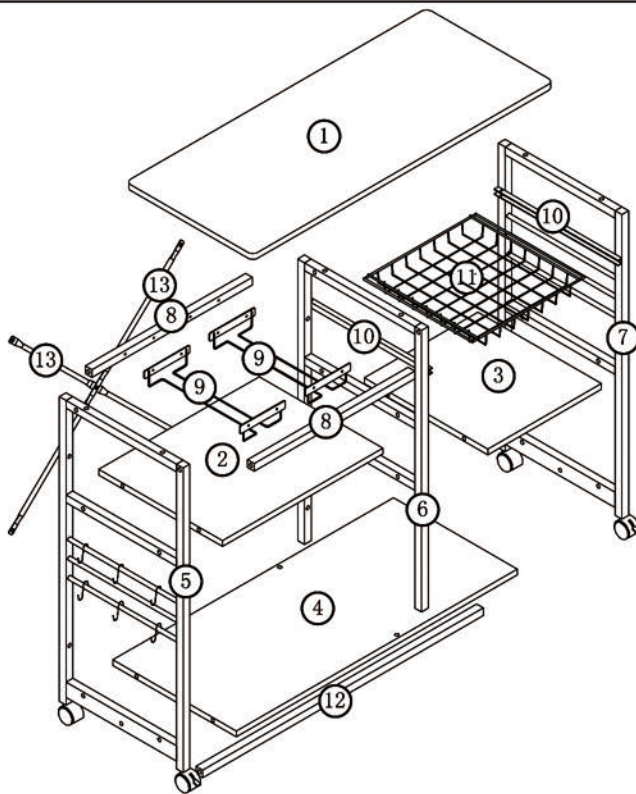
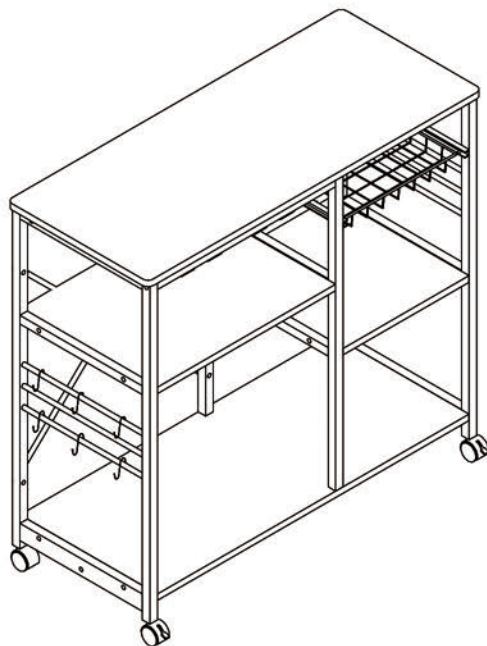




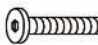

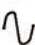
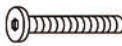











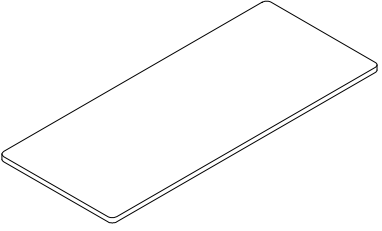
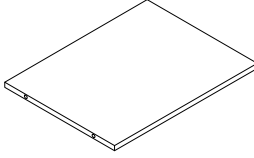
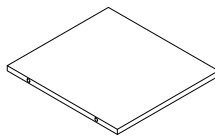
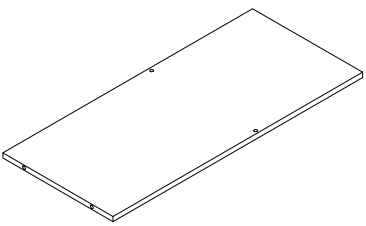
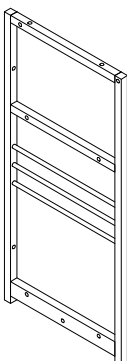
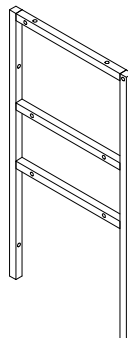
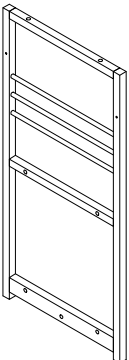
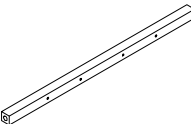
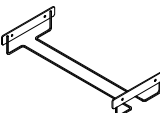

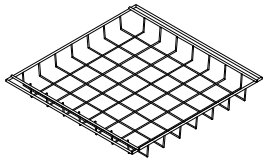
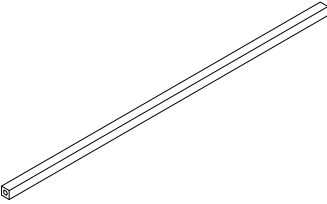
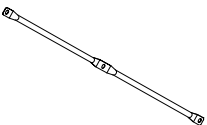


ASSEMBLY INSTRUCTION



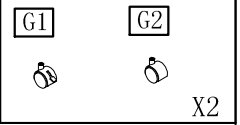
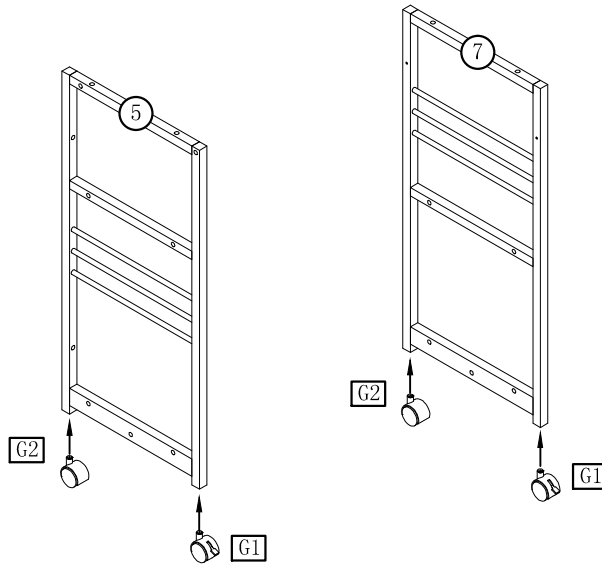
No.	PICTURE	SIZE	QTY	No.	PICTURE	SIZE	QTY
A	 	M6*10	1	G	G1  G2 		2
B	 	M6*30	12	H			6
C	 	M6*40	6	I	 	M4*18	2
D	 	ST5*50	12				
E	 	ST4*10	12				
F		M6	5		  		1

ASSEMBLY INSTRUCTION

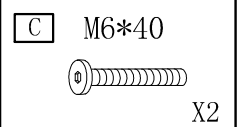
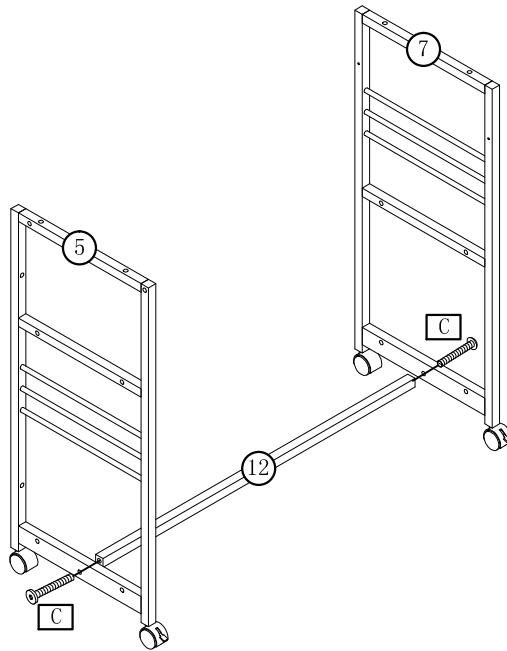
<p>①</p>  <p>(900*380*15mm) X1</p>	<p>②</p>  <p>(480*370*15mm) X1</p>	<p>③</p>  <p>(370*340*15mm) X1</p>
<p>④</p>  <p>(840*370*15mm) X1</p>	<p>⑤</p>  <p>X1</p>	<p>⑥</p>  <p>X1</p>
<p>⑦</p>  <p>X1</p>	<p>⑧</p>  <p>(480*20*20mm) X2</p>	<p>⑨</p>  <p>X2</p>
<p>⑩</p>  <p>X2</p>	<p>⑪</p>  <p>X1</p>	<p>⑫</p>  <p>(840*20*20mm) X1</p>
<p>⑬</p>  <p>(710*φ9.8mm) X2</p>		

ASSEMBLY INSTRUCTION

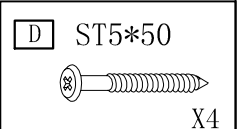
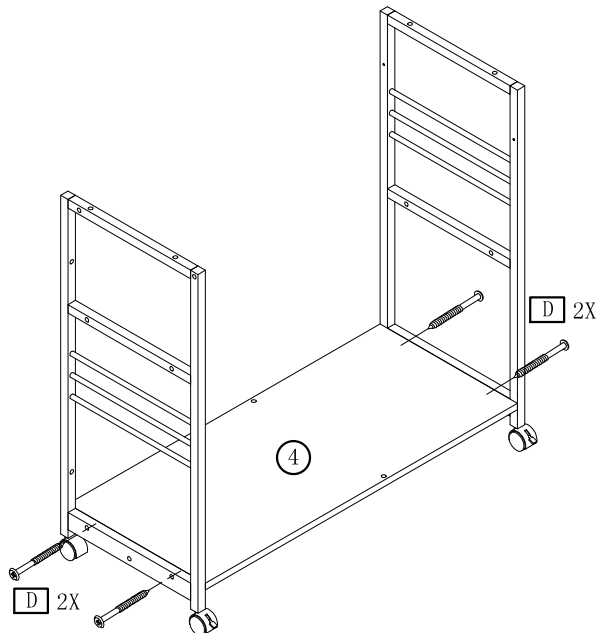
STEP 1



STEP 2

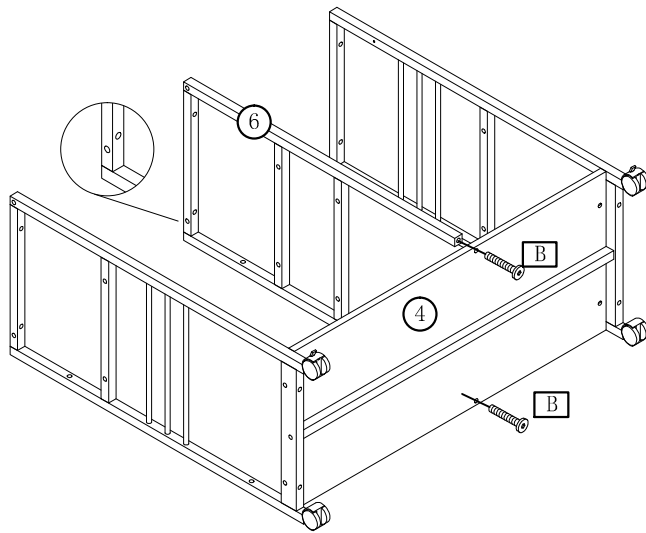



STEP 3



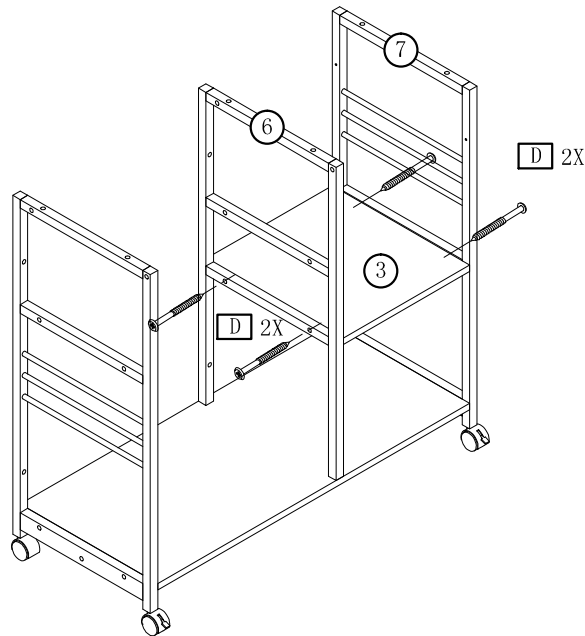
ASSEMBLY INSTRUCTION


STEP 4



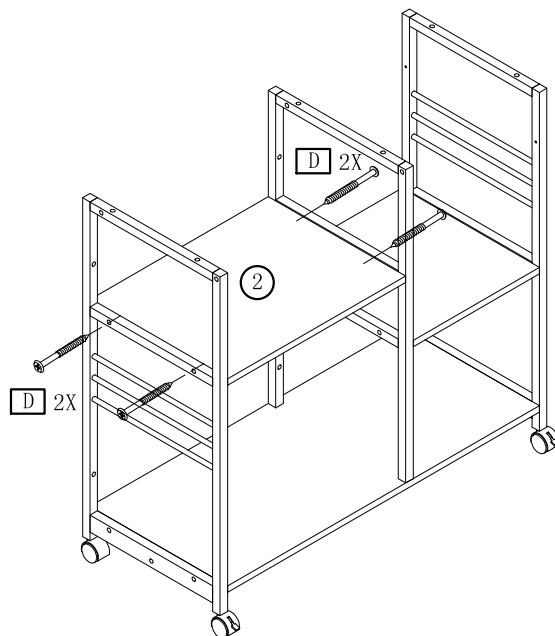
B M6*30

X2


STEP 5



D ST5*50

X4

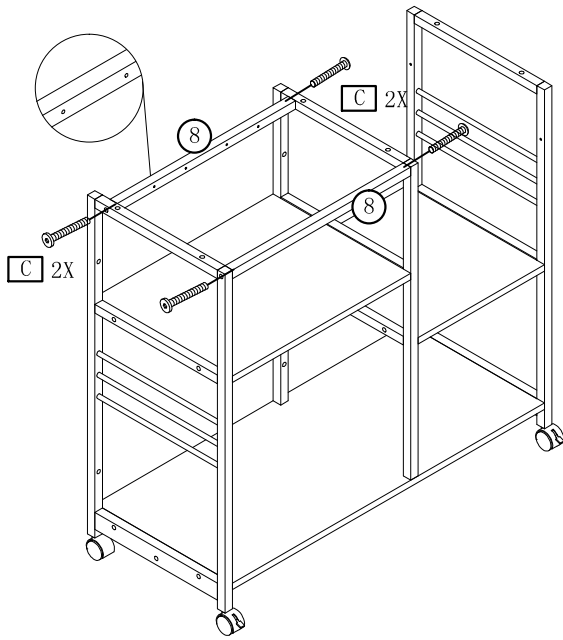
STEP 6

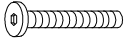


D ST5*50

X4

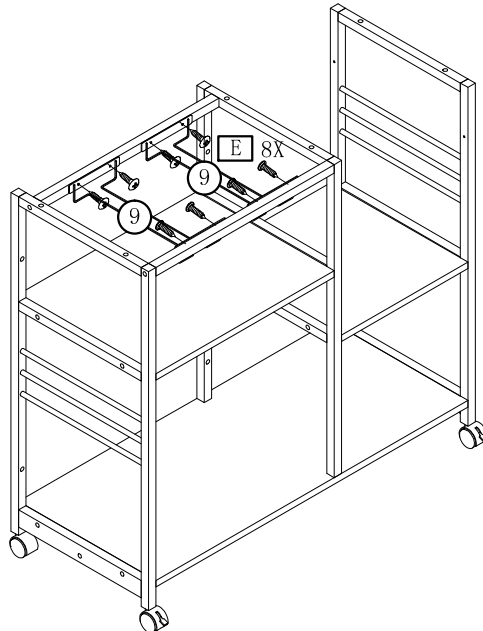
ASSEMBLY INSTRUCTION


STEP 7



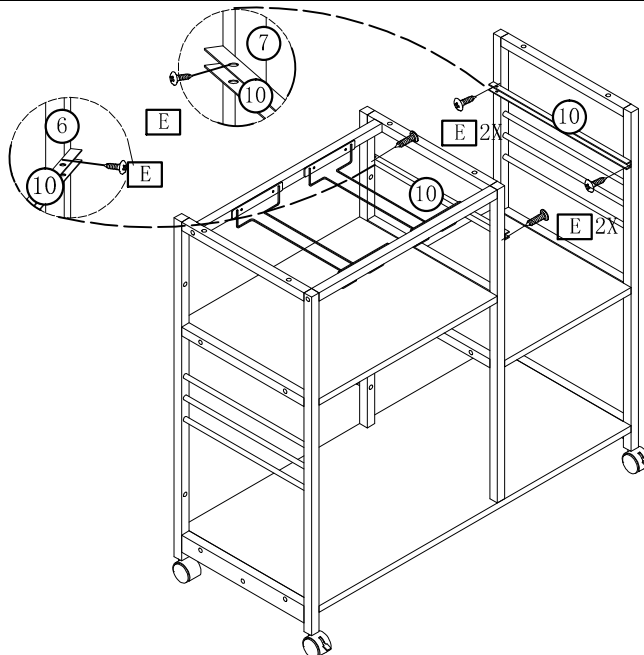
C M6*40

X4


STEP 8



E ST4*10

X8

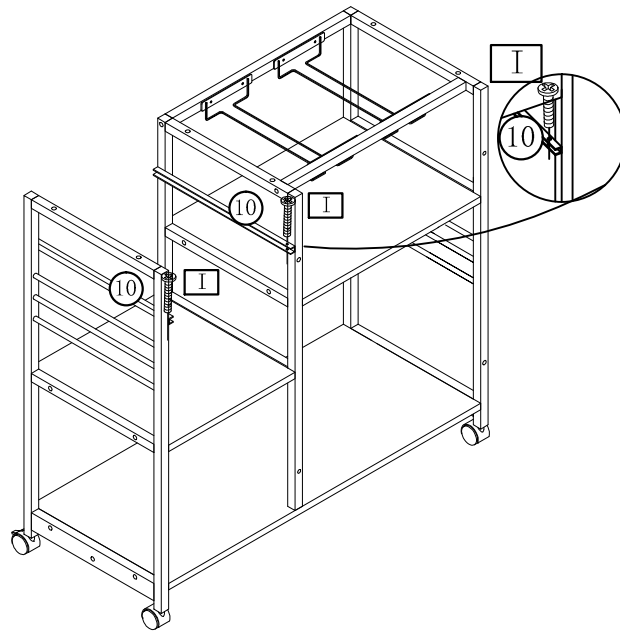
STEP 9



E ST4*10

X4

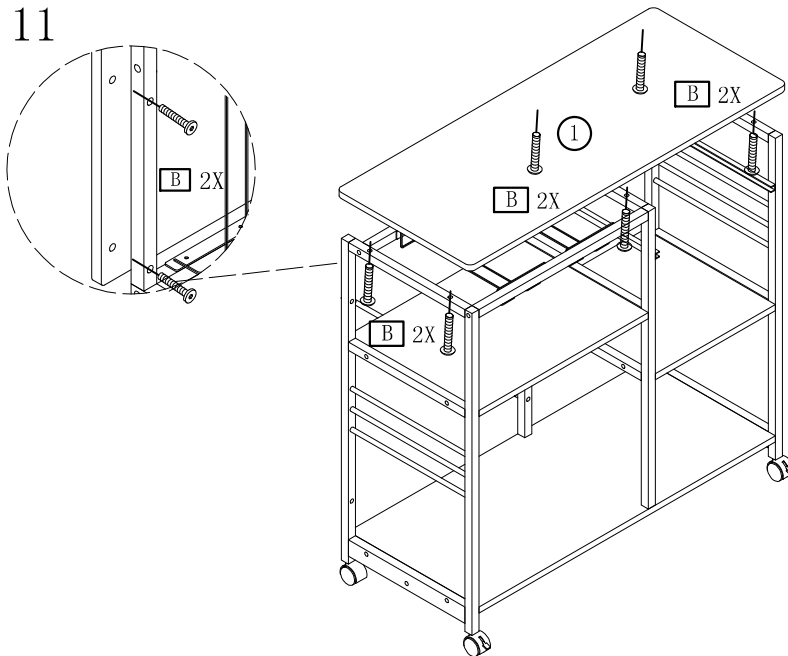
ASSEMBLY INSTRUCTION

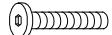
STEP 10



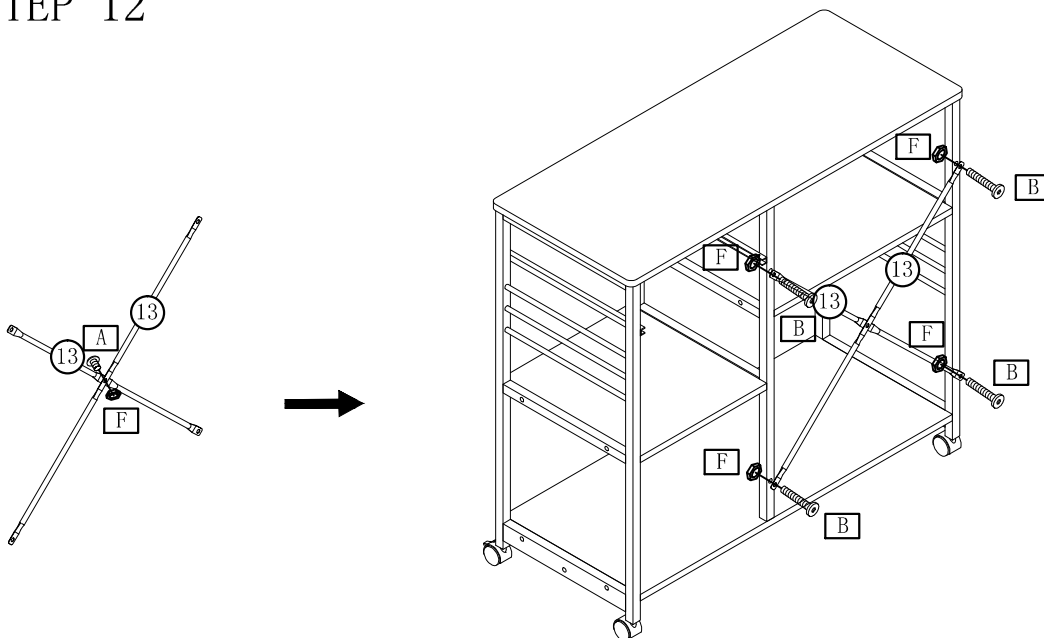
I	M4*18
	
	X2

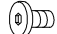
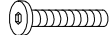

STEP 11



B	M6*30
	
	X6

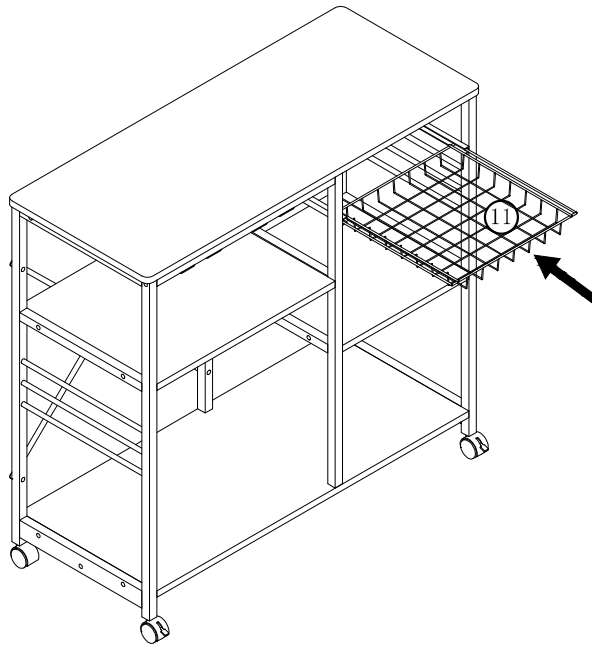
STEP 12



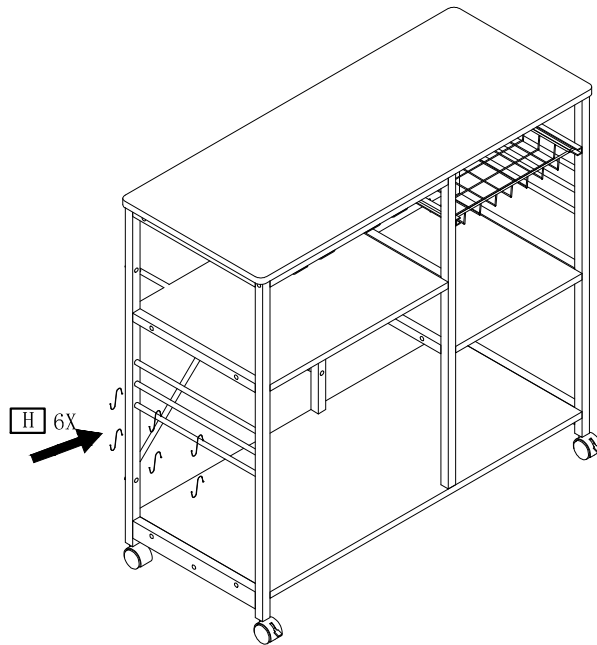
A	M6*10
	
	X1
B	M6*30
	
	X4
F	M6
	
	X5

ASSEMBLY INSTRUCTION

STEP 13



STEP 14



H	~
	X6

