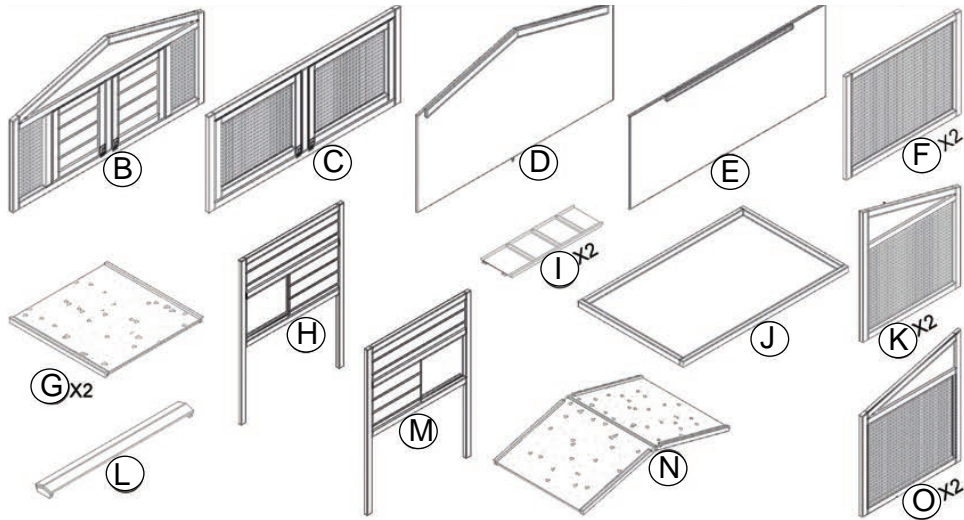


ASSEMBLY INSTRUCTION

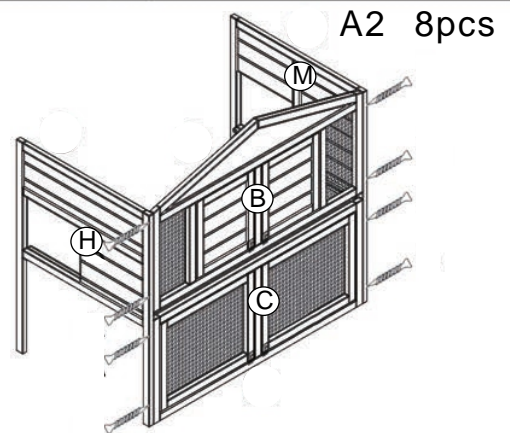


A1 3.5x50 8+1pcs

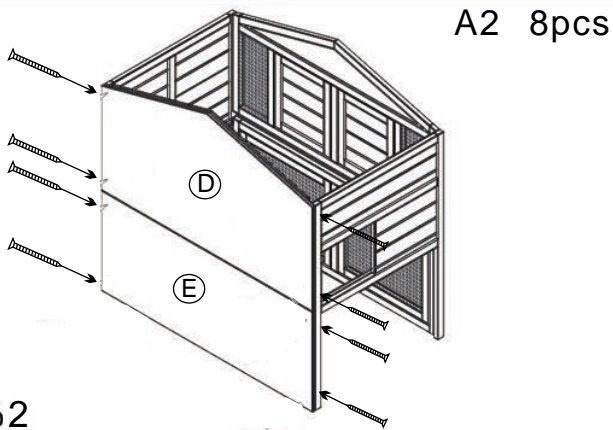
A2 3.5x40 24+1pcs

A3 3.5x25 16+1pcs

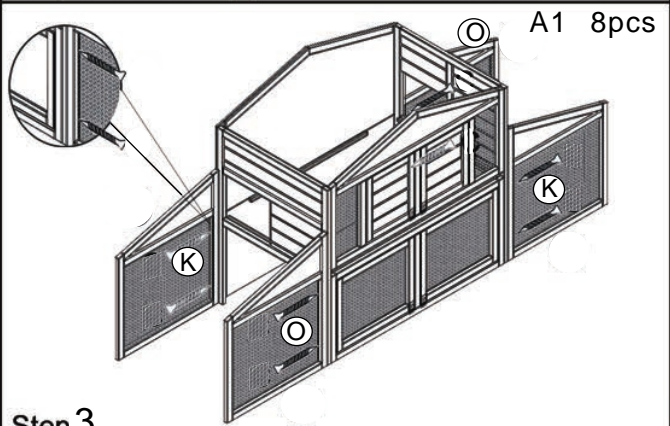
A4 3.0x12 4+1pcs



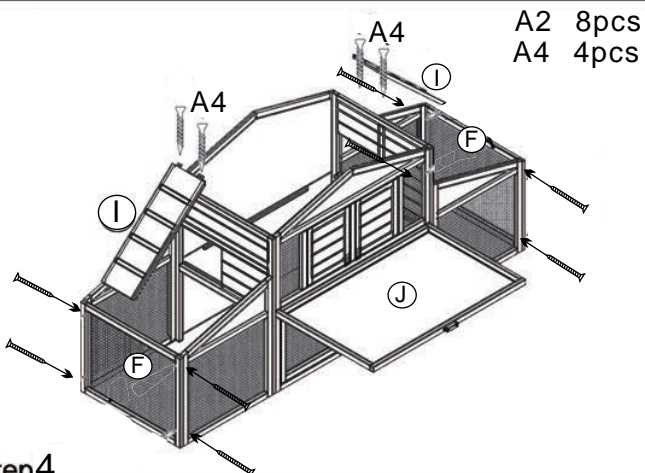
Step 1



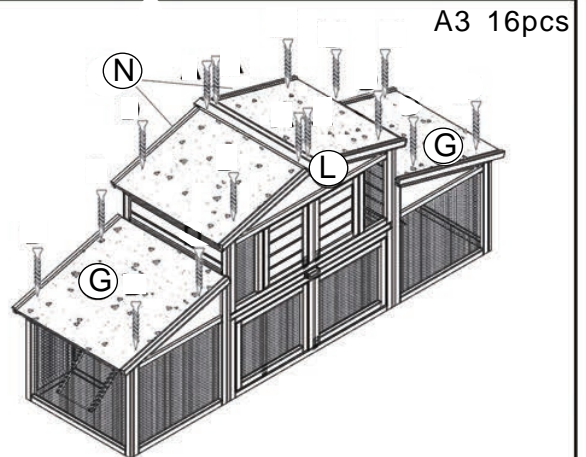
Step 2



Step 3



Step 4



Step 5