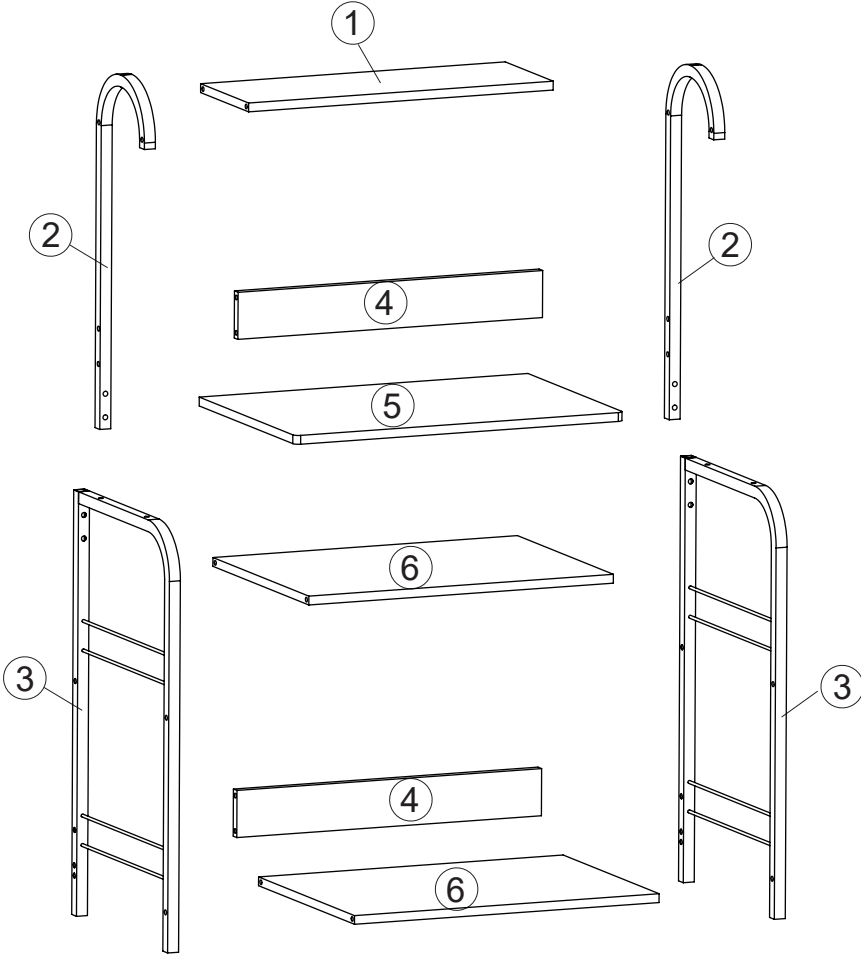




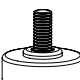





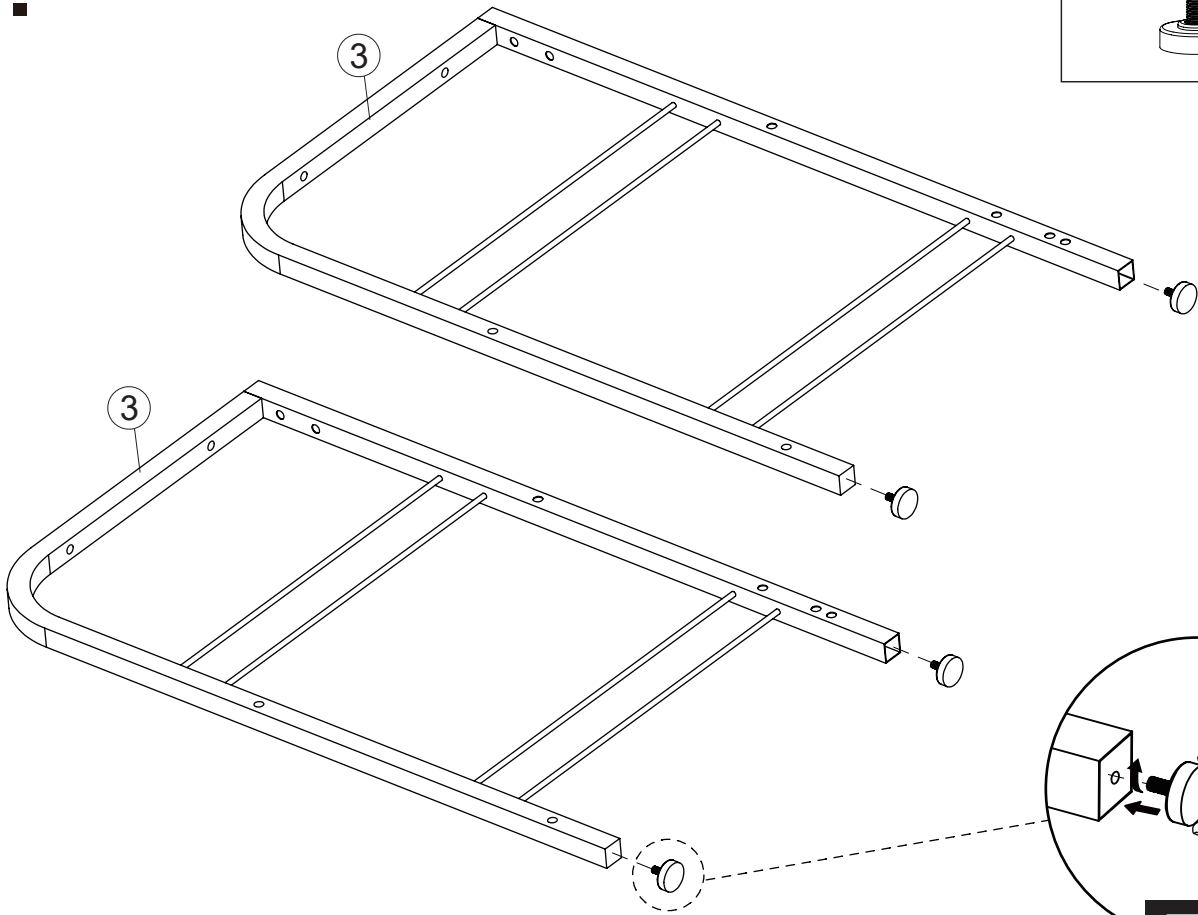
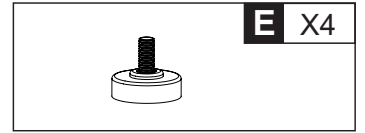
EXPLODED DRAWING:



PARTS:

	A X4 M6x30		B X4 M6x45		C X20 M5.5x50
	D X4		E X4	F1 	F X1
	G X8				
F2 					

1.

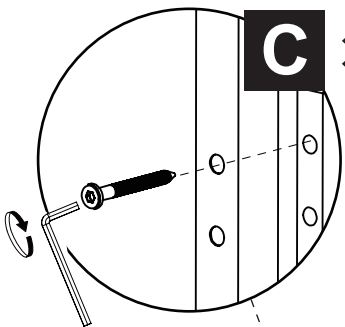
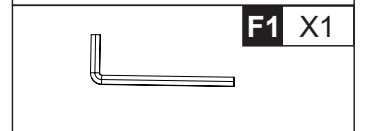
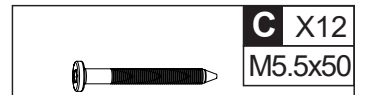


E X4

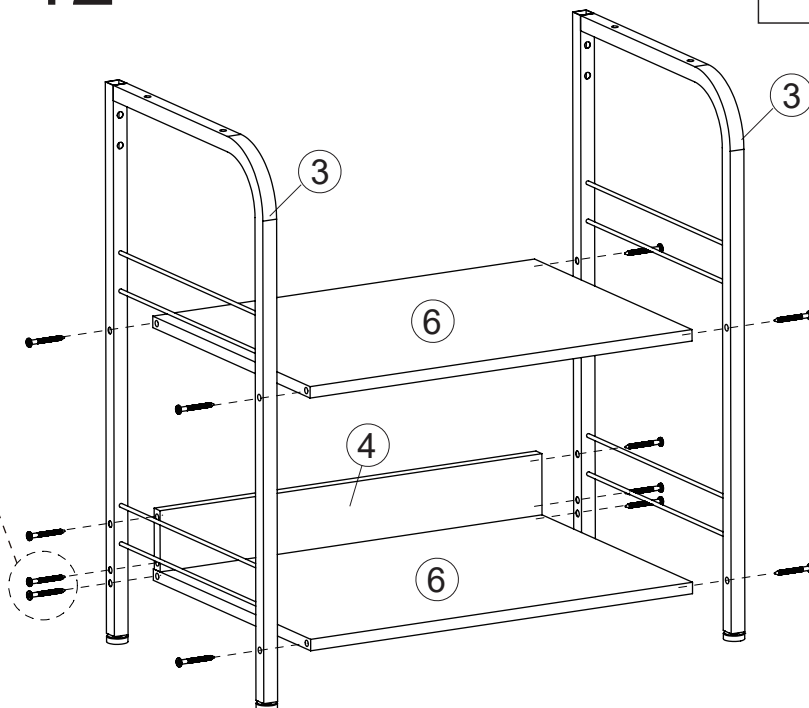
2.

REMARK:

Please don't fully tighten screws .



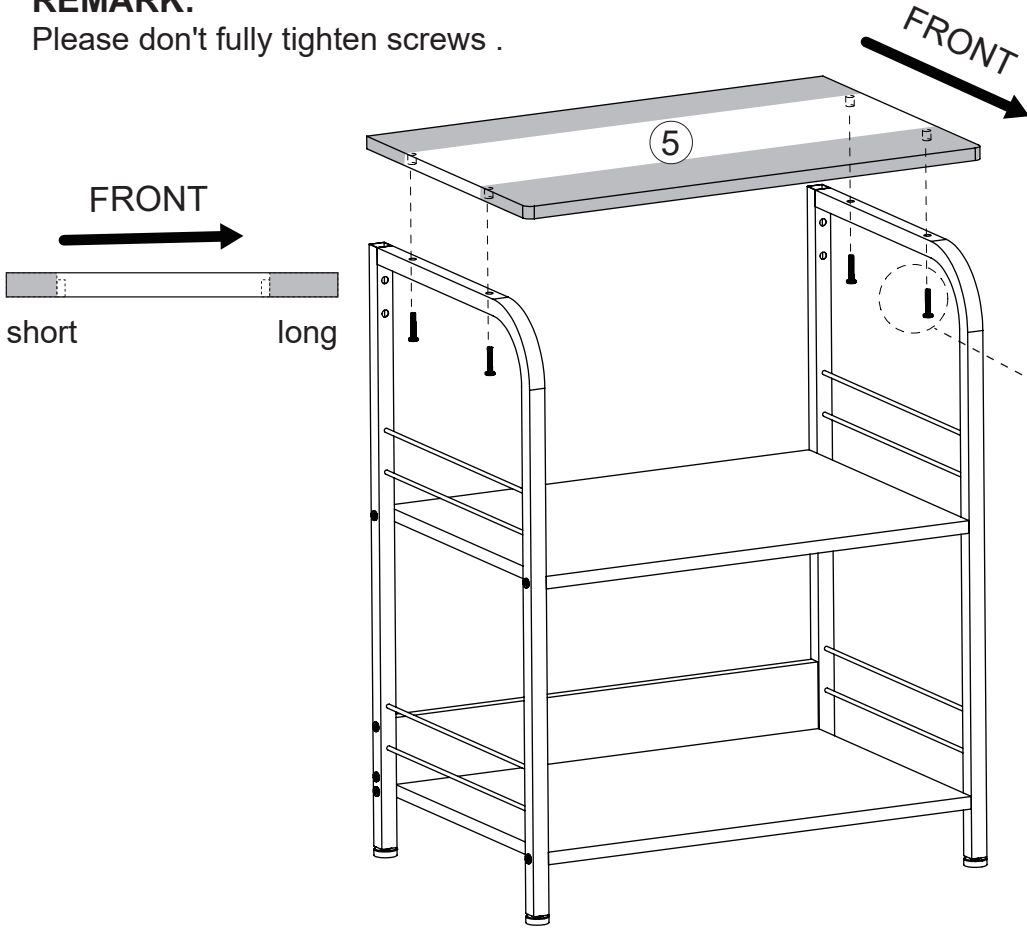
C X12





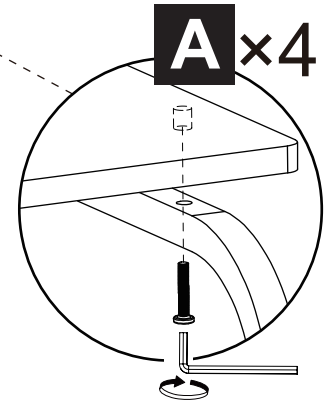
3.

REMARK:

Please don't fully tighten screws .



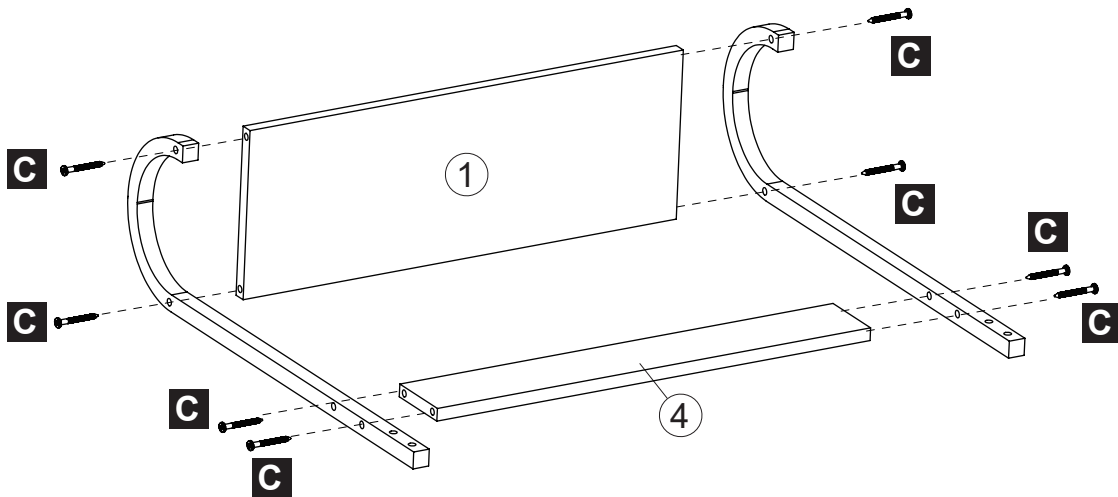
	A X4 M6x30
	F1 X1





4.

REMARK:

Please don't fully tighten screws .







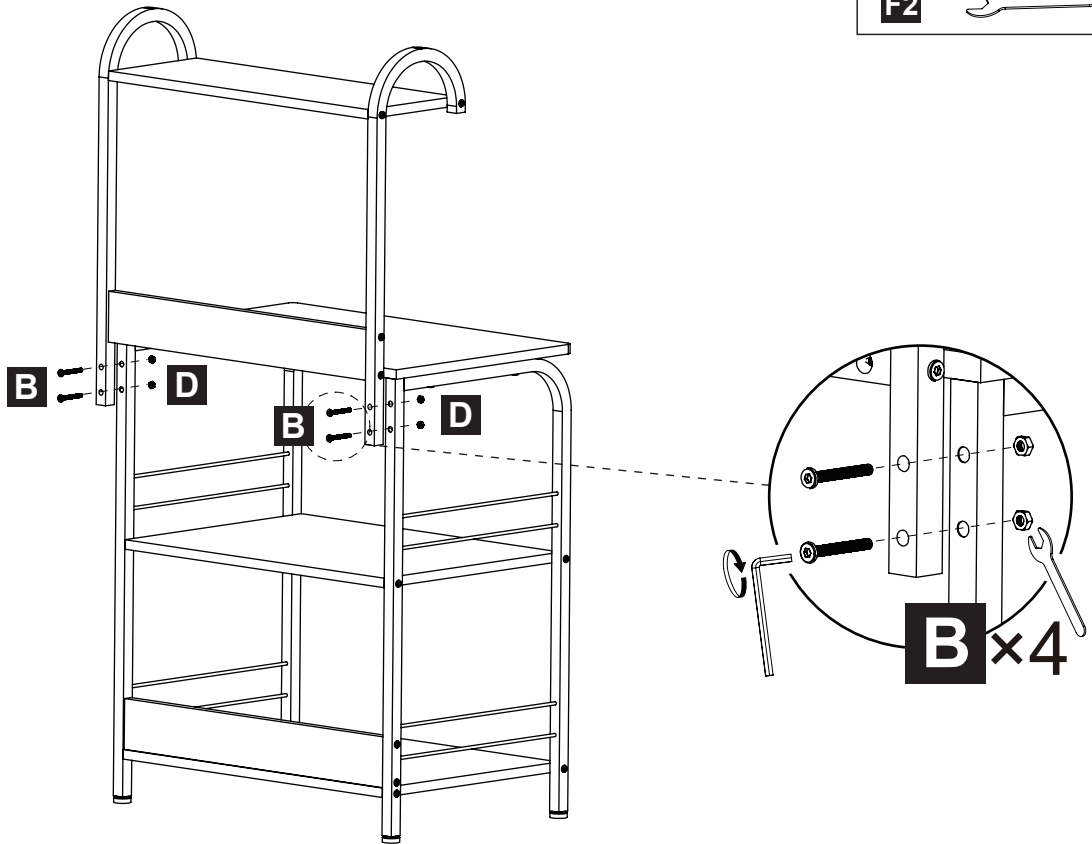
	C X8 M5.5x50
	F1 X1

5.


REMARK:

Please fully tighten all screws after all the screws are in place.

 B X4 M6x45	 D X4
F1	 F1 X1
F2	



6.

 G X8

