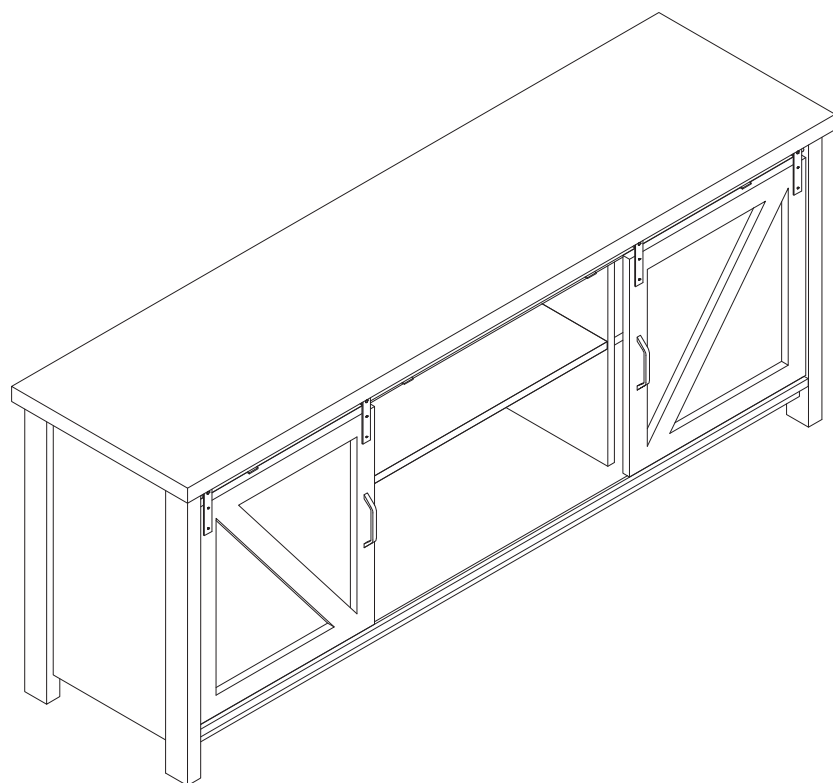


# WF280302



## **ASSEMBLY INSTRUCTION :**

1. Remove hardware from box and sort by size.
2. Please check to see that all hardware and parts are present prior start of assembly.
3. Please follow attached instruction in the same sequence as numbered to assure fast and easy

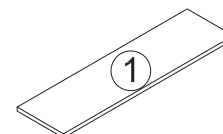
## **WARNING !**

1. Don't attempt to repair or modify parts that are broken or defective. Please contact the store immedi
2. This product is for home use only and not intended for commercial establishments.
3. Two persons are required for assembly.
4. Approximate assembly time : 2 hours.
5. Component parts and fittings contained in the box.  
Please sort out all parts before you begin to assemble the item.  
This is to make sure you always use the correct part .

**USER'S MANUAL**  
**TV cabinet stand**

## Board Identification

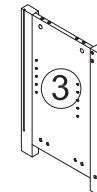
Not actual size



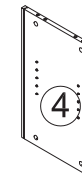
Board x1



Left side board x1



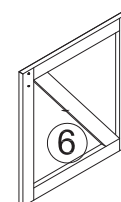
Right side board x1



Left vertical board x1



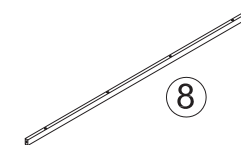
Right vertical board x1



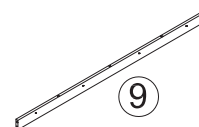
Left door board x1



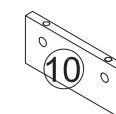
Right door board x1



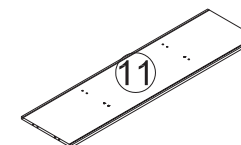
Lower apron x1



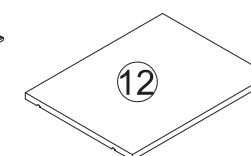
Front apron x1



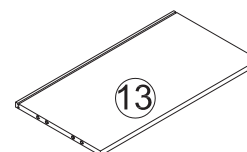
Leg board x1



Bottom board x1



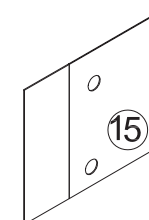
Small layer board x2



Large layer board x1



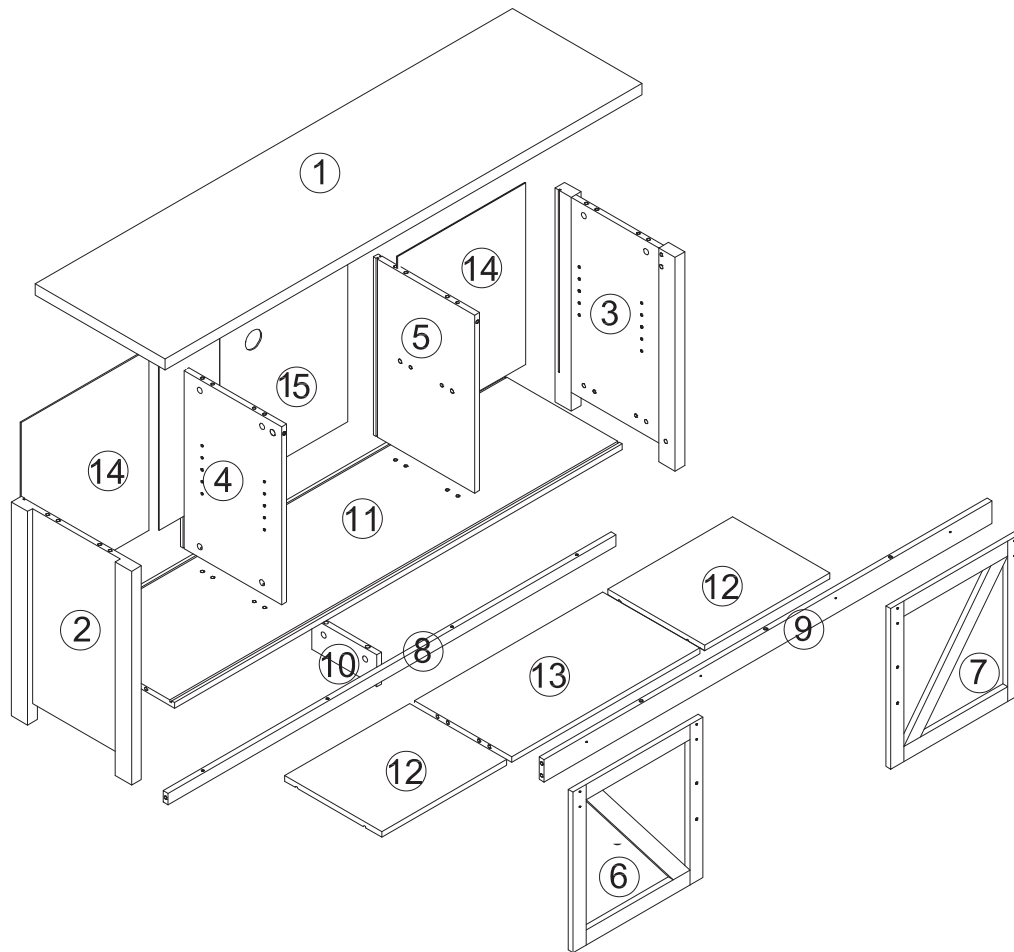
Back boardx2



Middle back boardx1

# Board Identification

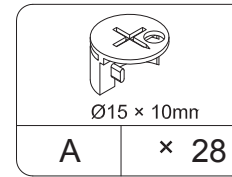
Not actual size



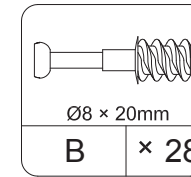
3

# Hardware List

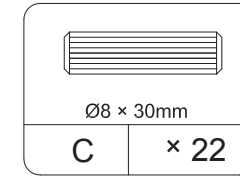
Actual size



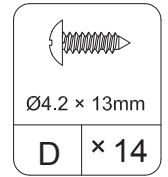
CAM LOCK



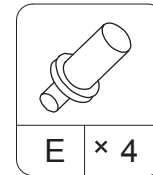
CAM BOLT



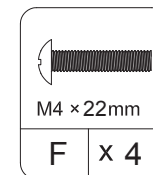
WOOD DOWEL



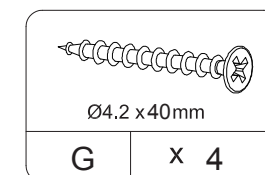
SCREW



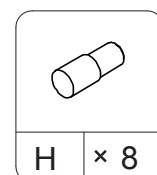
SCREW



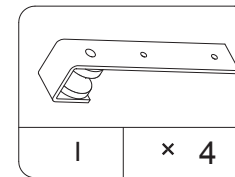
BOLT



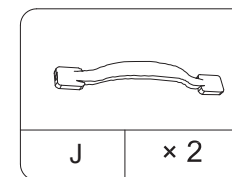
SCREW



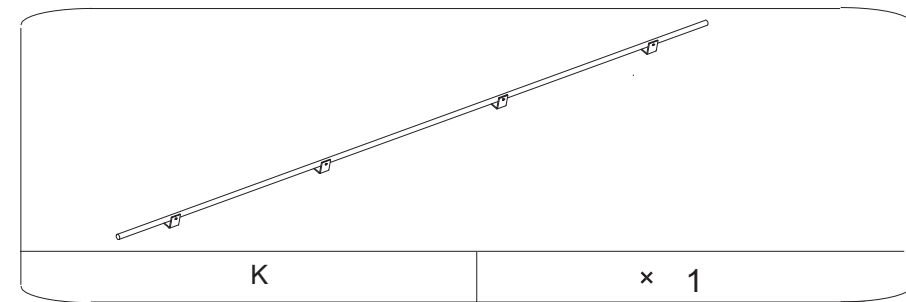
SUPPORT PIN



HANGING WHEEL



HANDLE

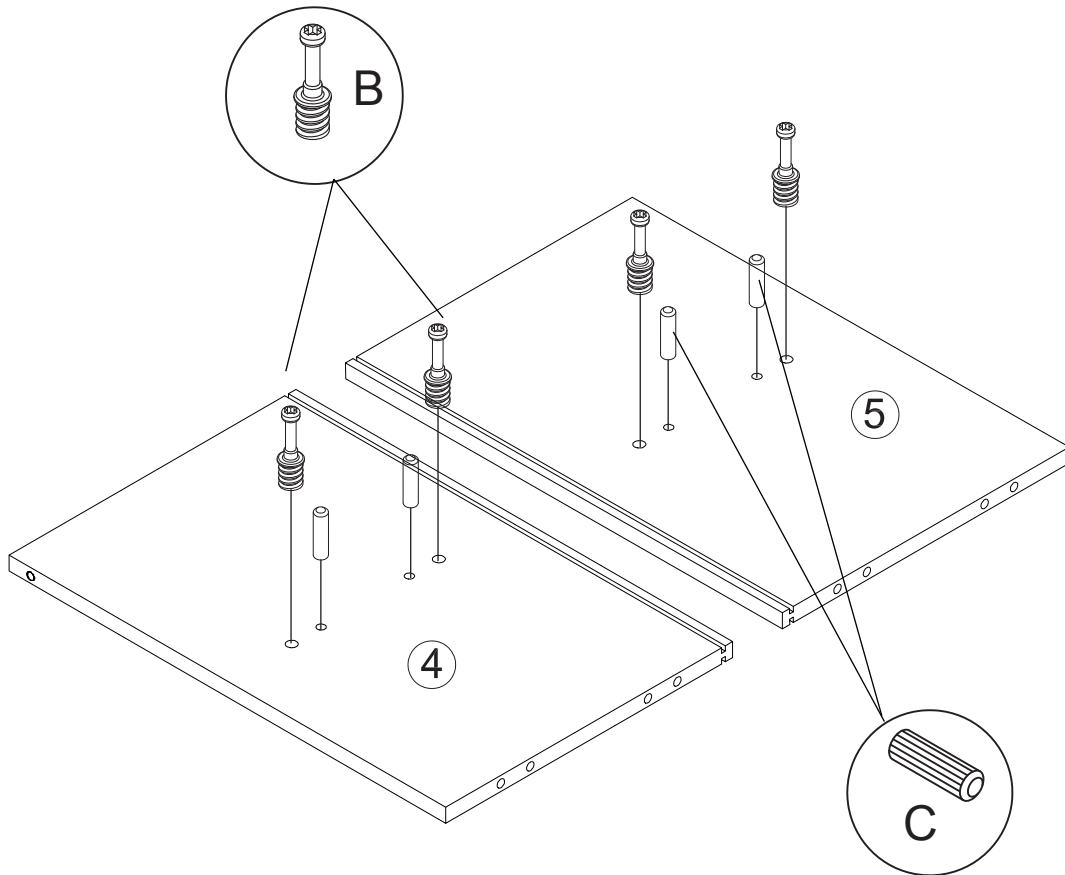
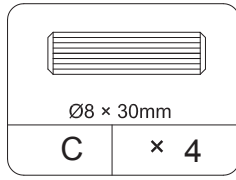
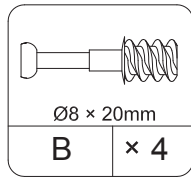


SLIDE

4

PRODUCT ASSEMBLY

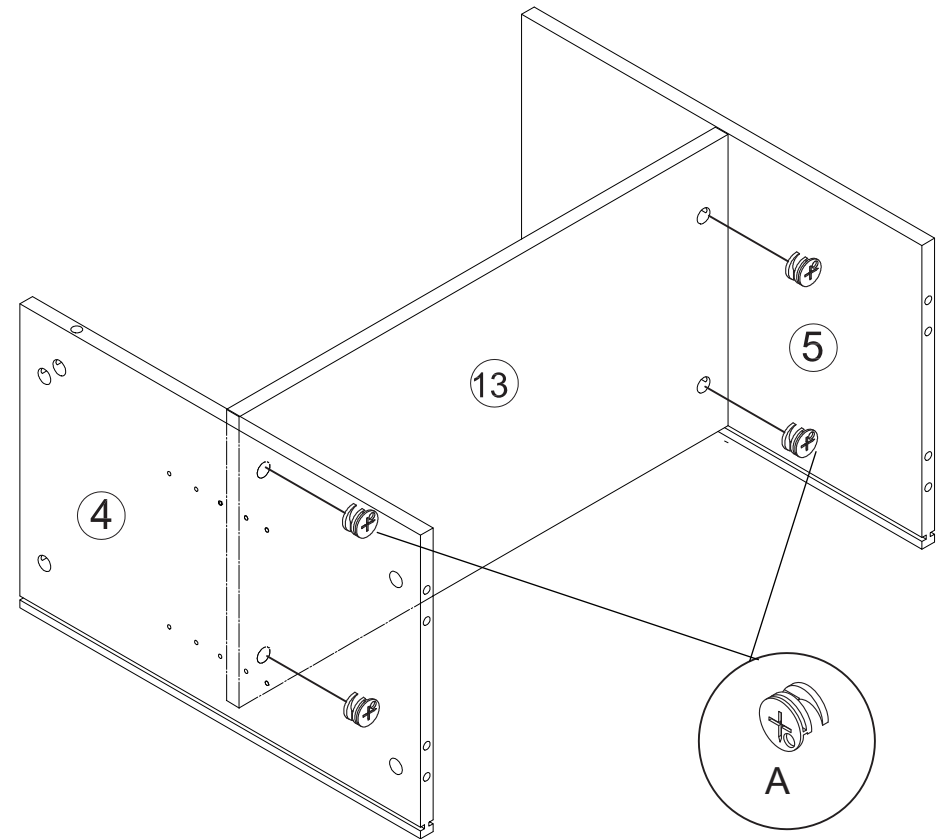
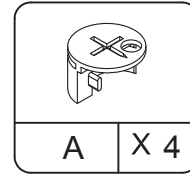
STEP 1



5

PRODUCT ASSEMBLY

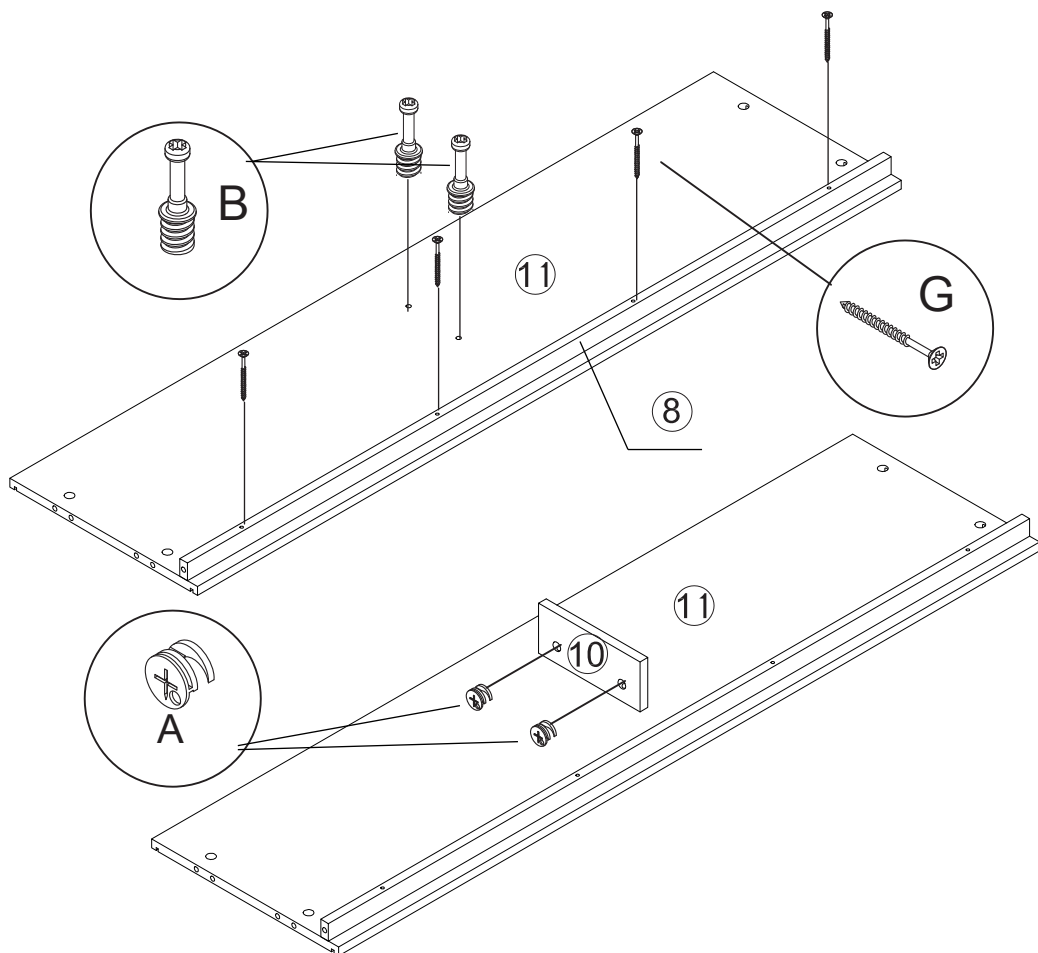
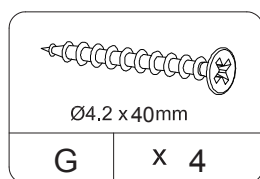
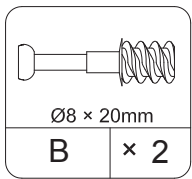
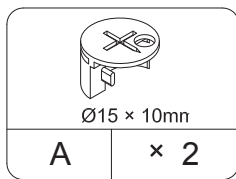
STEP 2



6

PRODUCT ASSEMBLY

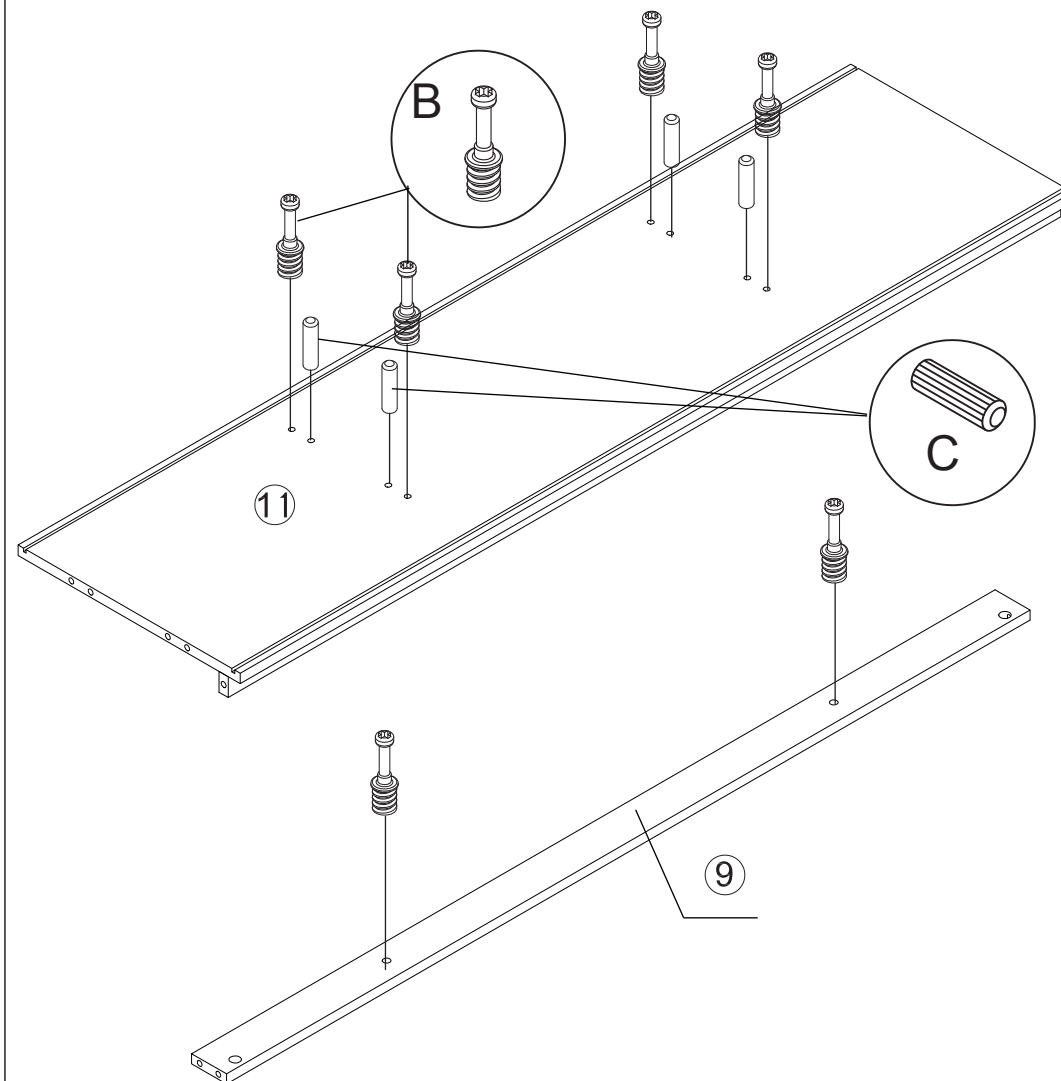
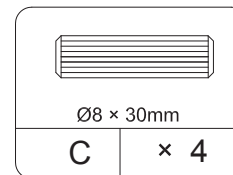
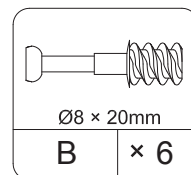
STEP 3



7

PRODUCT ASSEMBLY

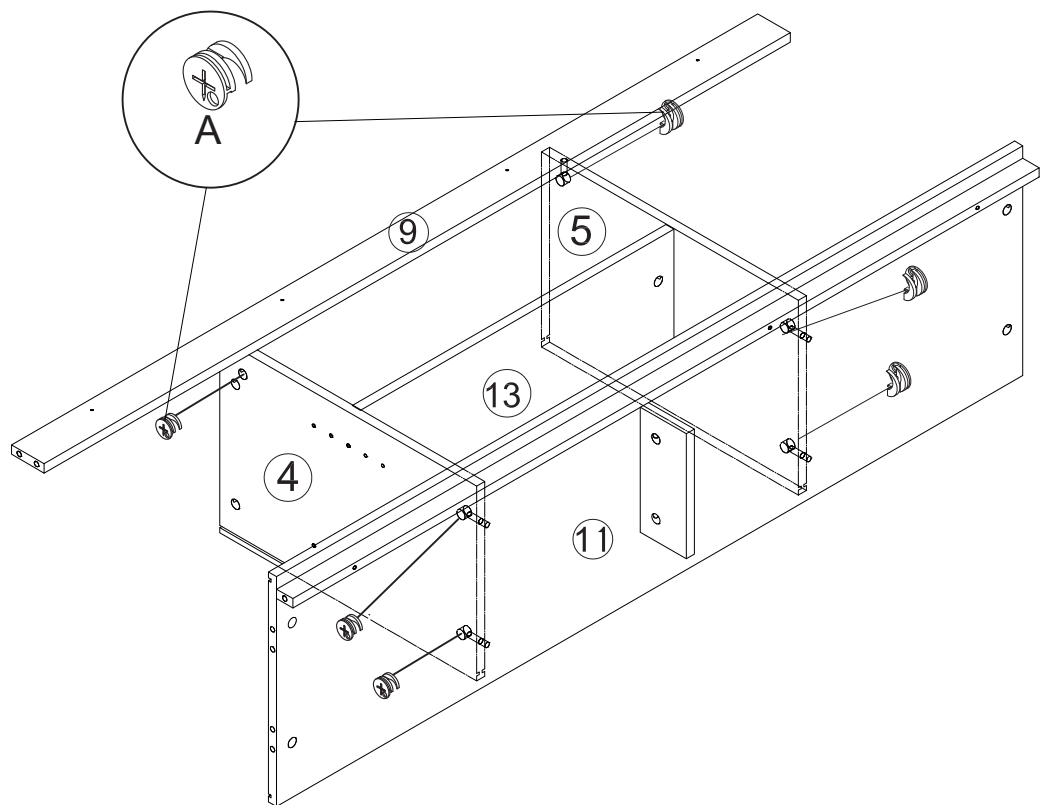
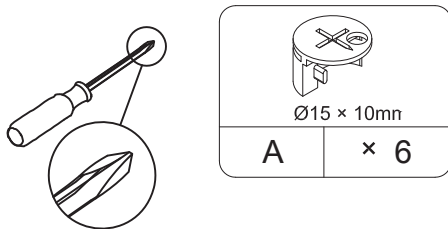
STEP 4



8

PRODUCT ASSEMBLY

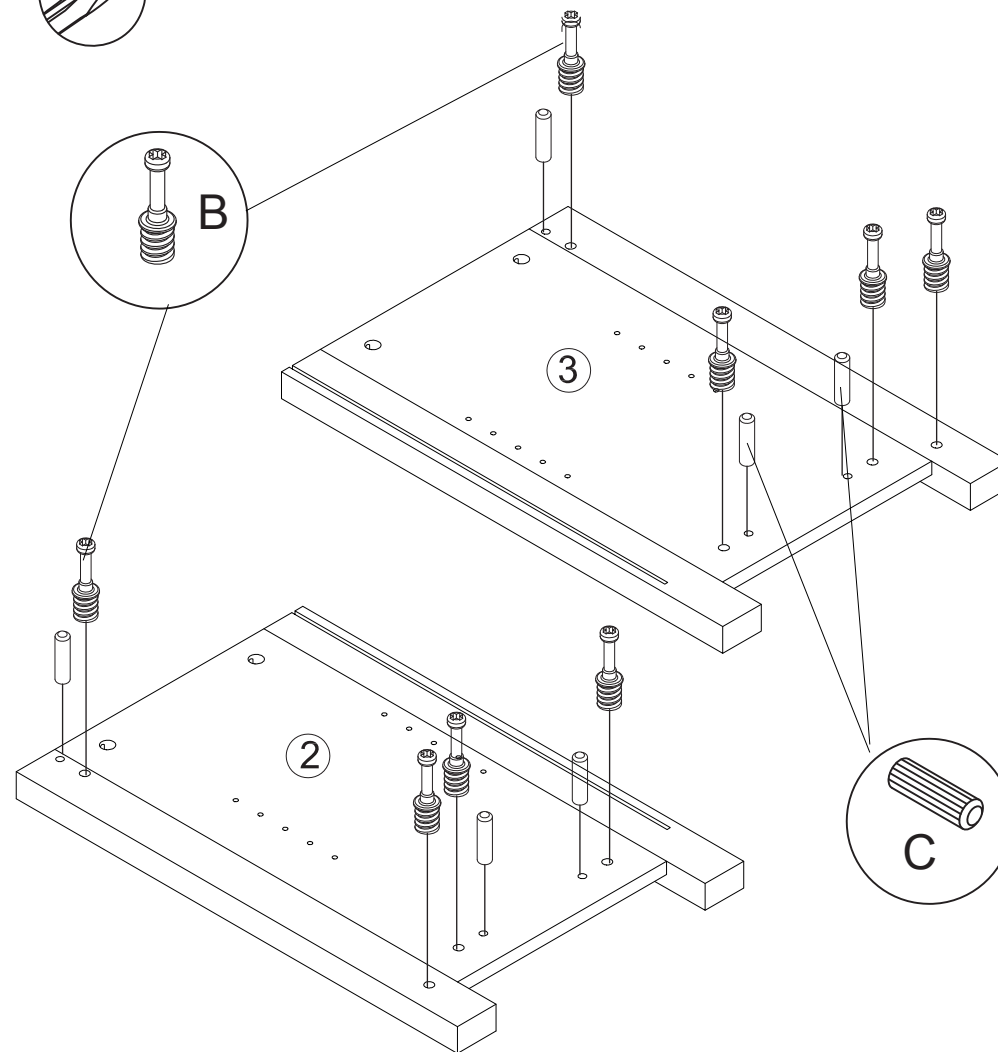
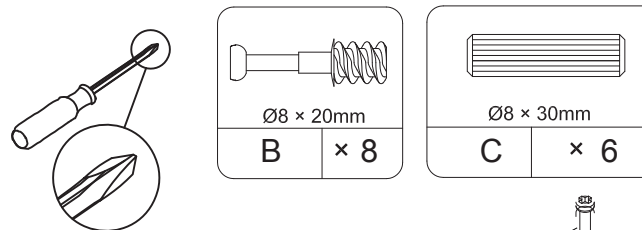
STEP 5



9

PRODUCT ASSEMBLY

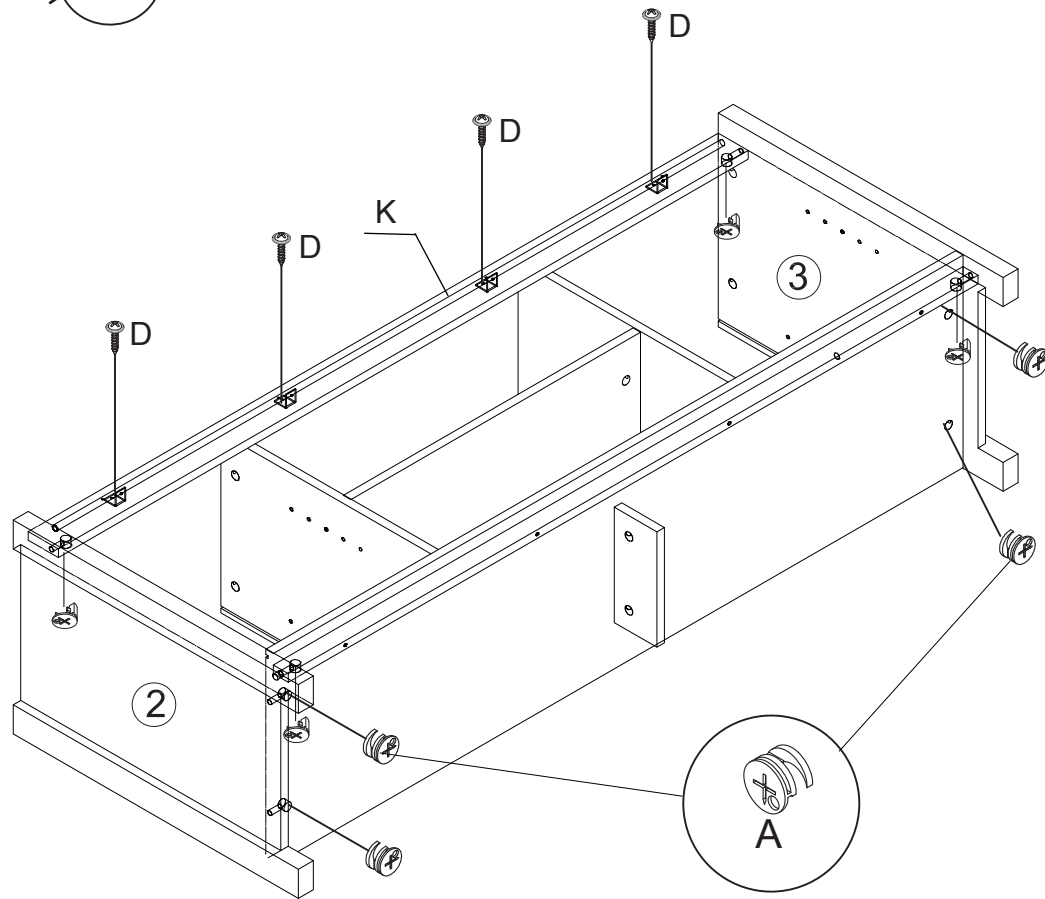
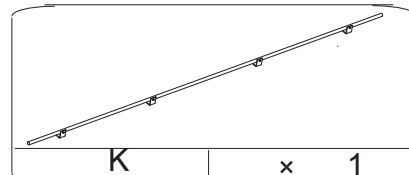
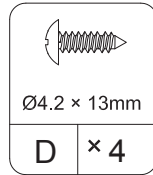
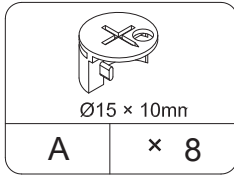
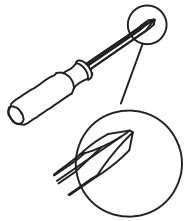
STEP 6



10

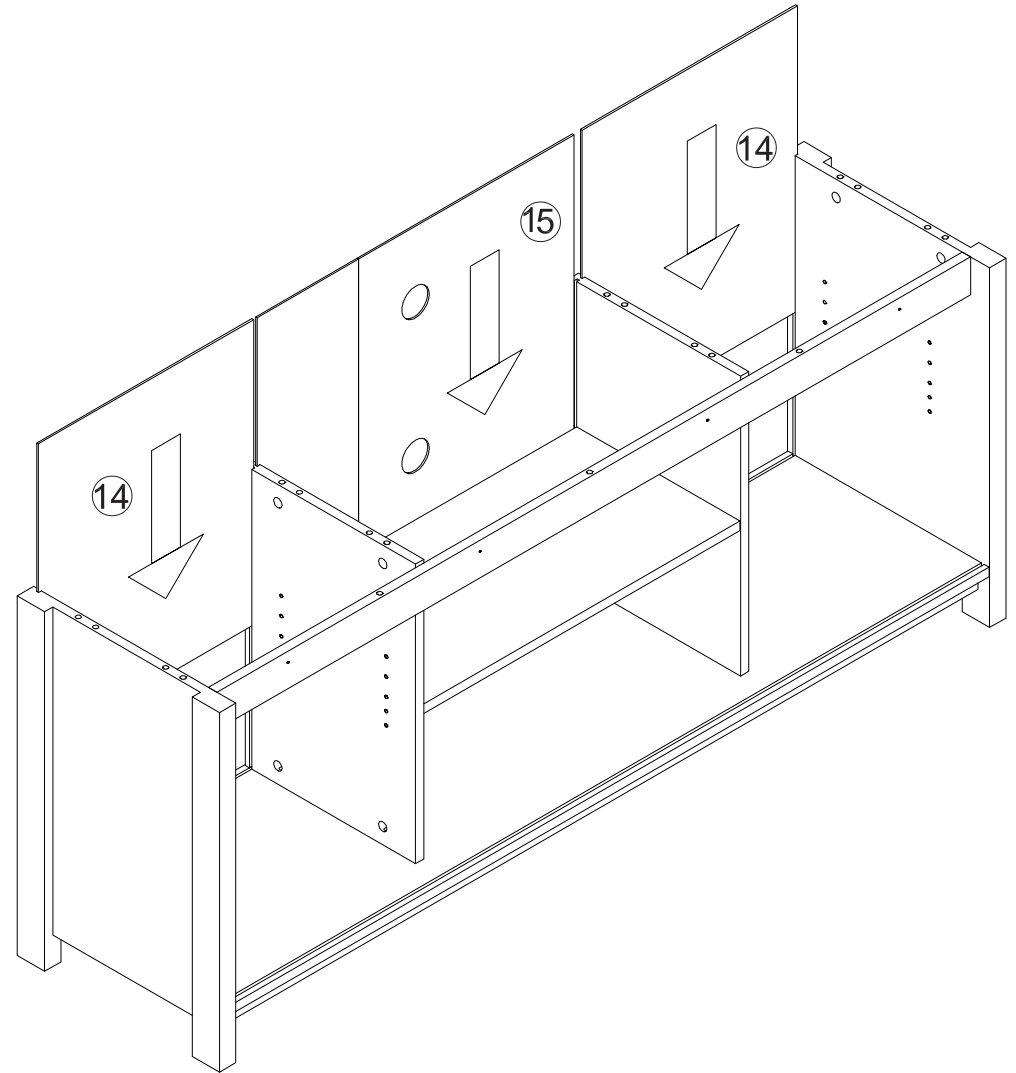
PRODUCT ASSEMBLY

STEP 7



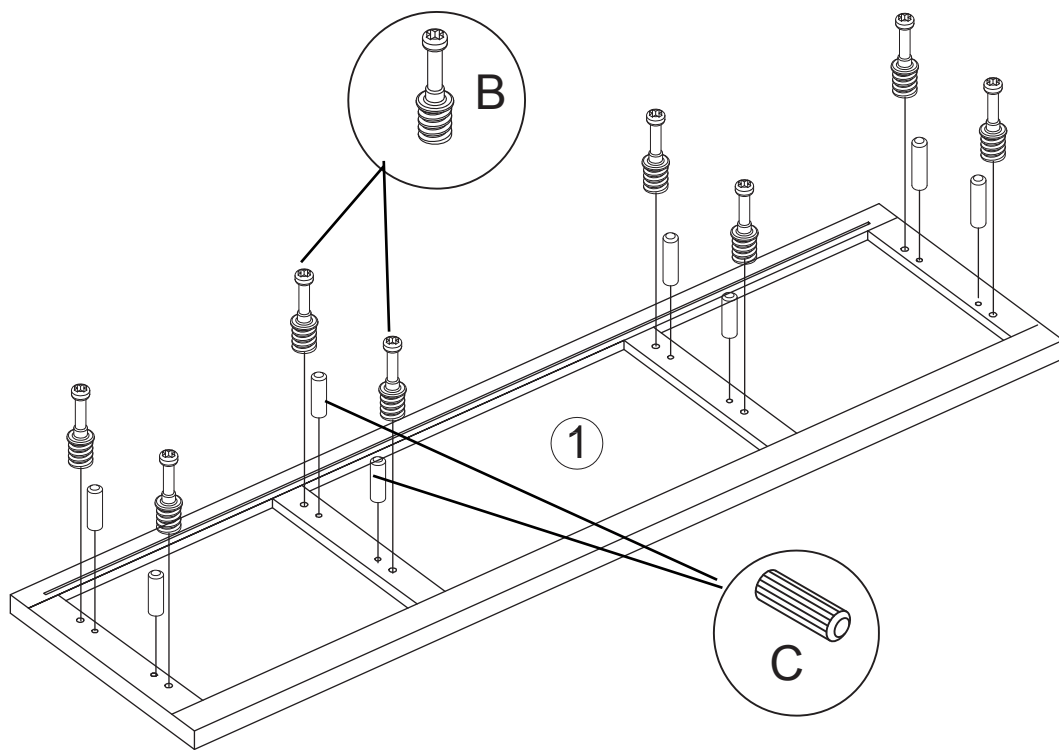
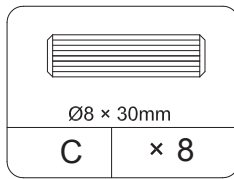
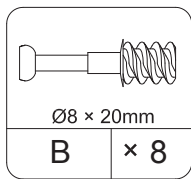
PRODUCT ASSEMBLY

STEP 8



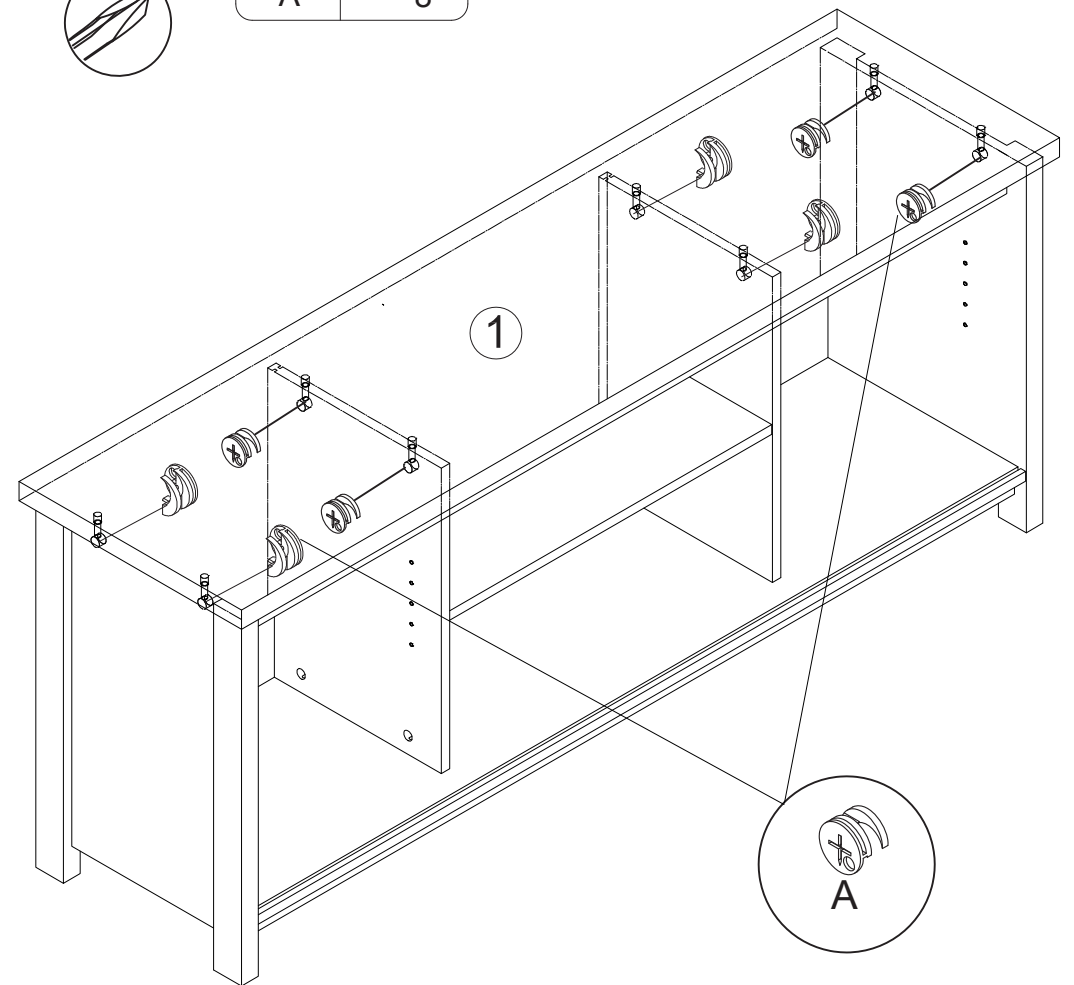
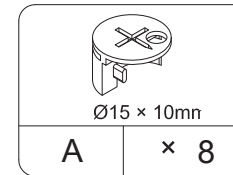
PRODUCT ASSEMBLY

STEP 9



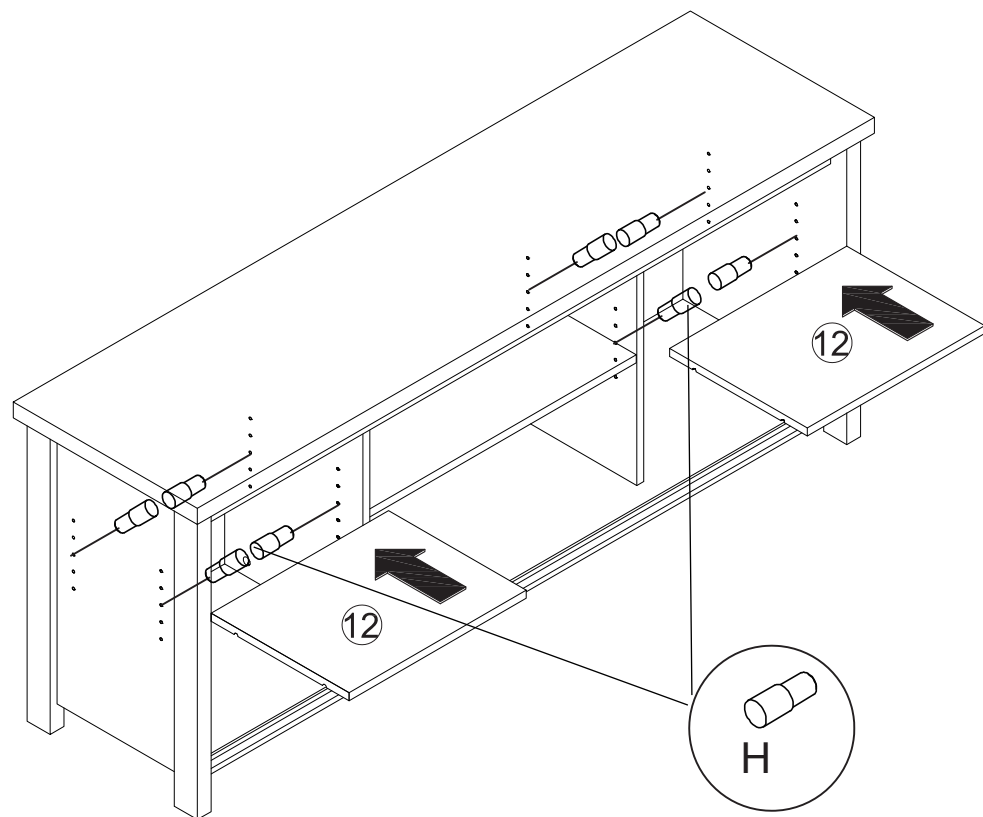
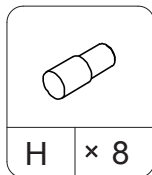
PRODUCT ASSEMBLY

STEP 10



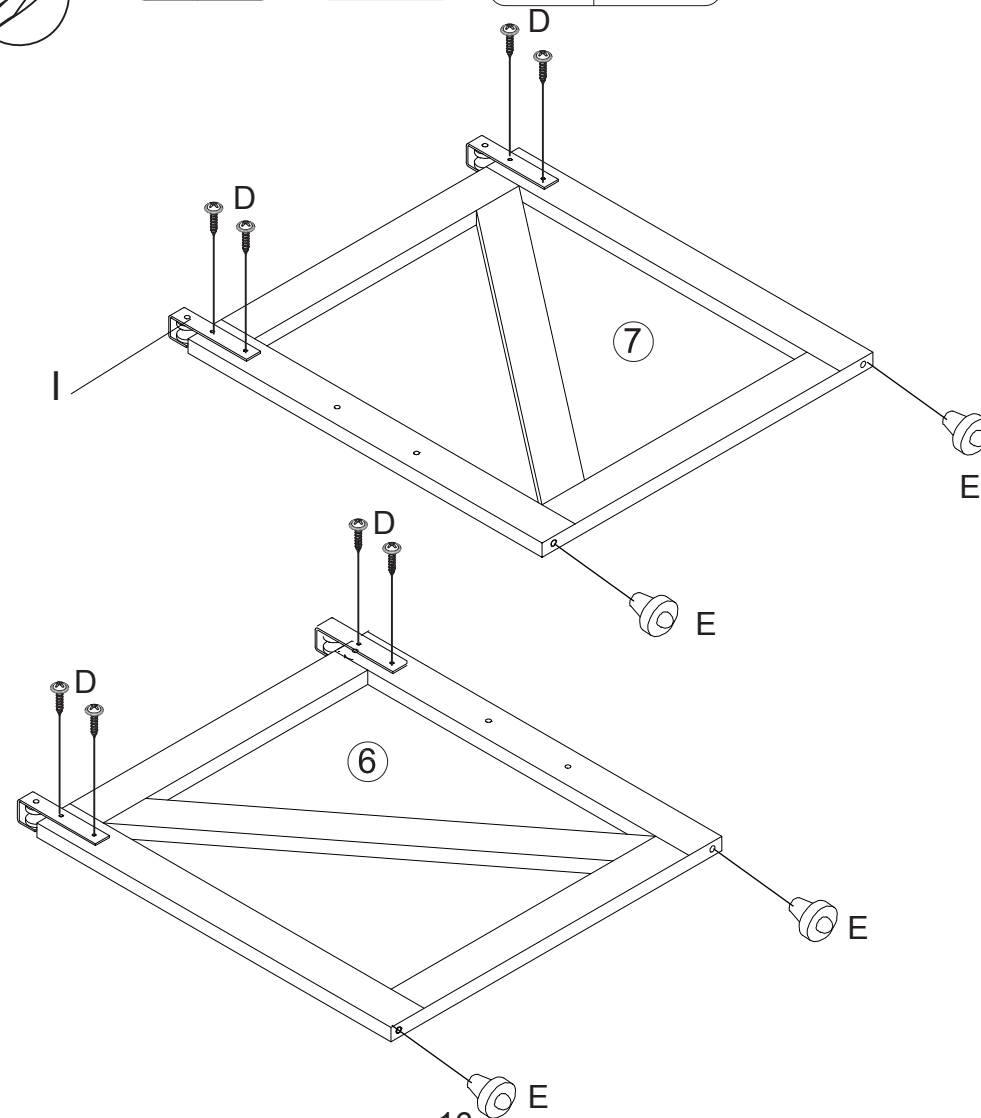
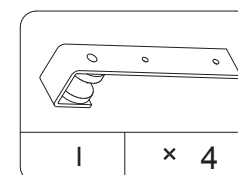
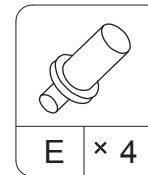
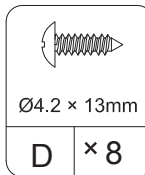
PRODUCT ASSEMBLY

STEP 11



PRODUCT ASSEMBLY

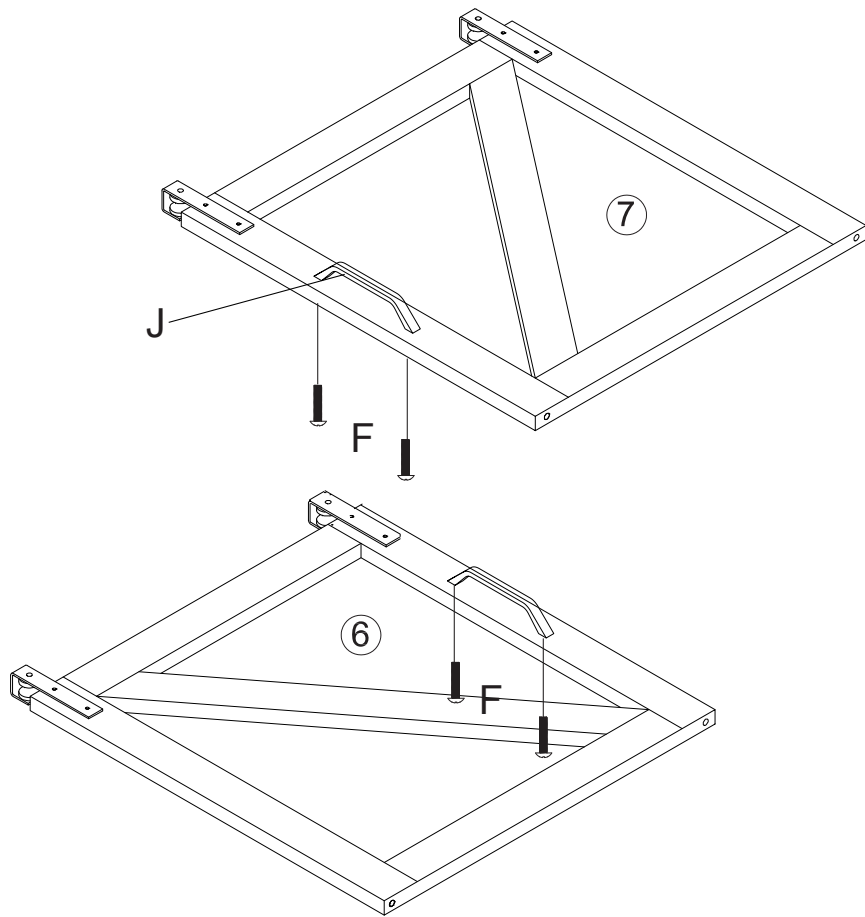
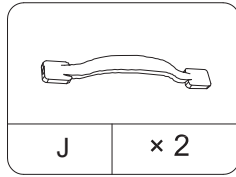
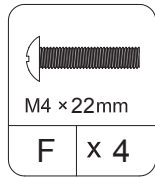
STEP 12





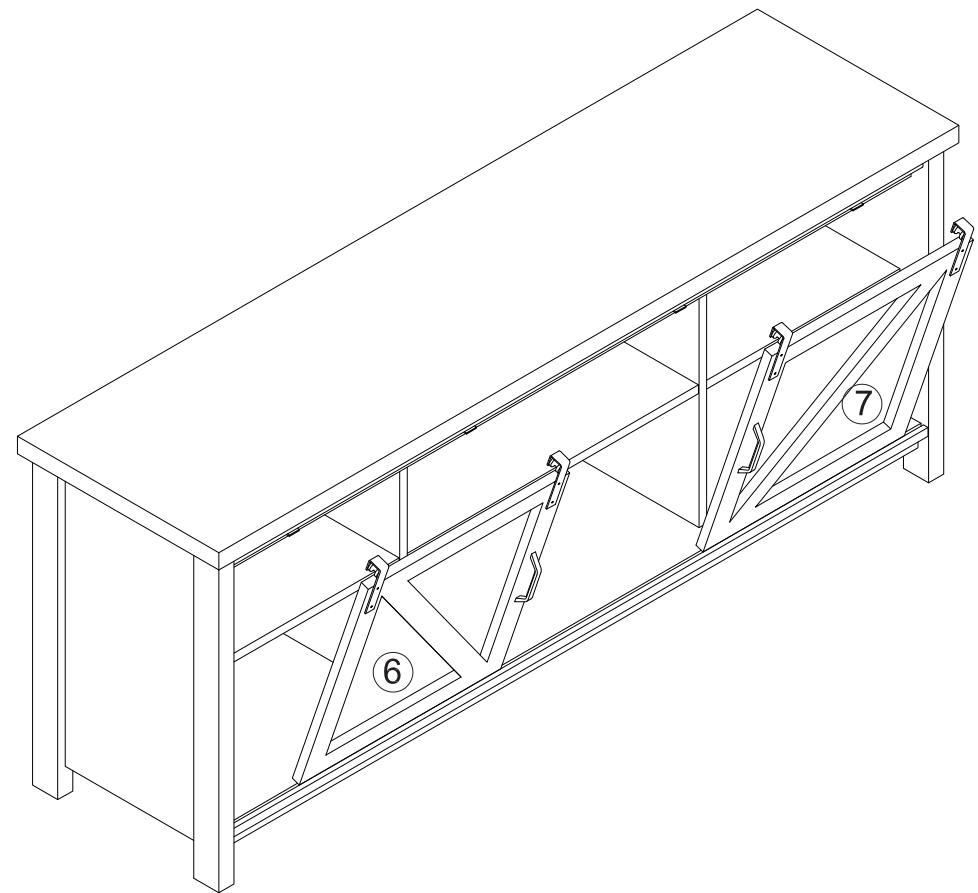
PRODUCT ASSEMBLY

STEP 13



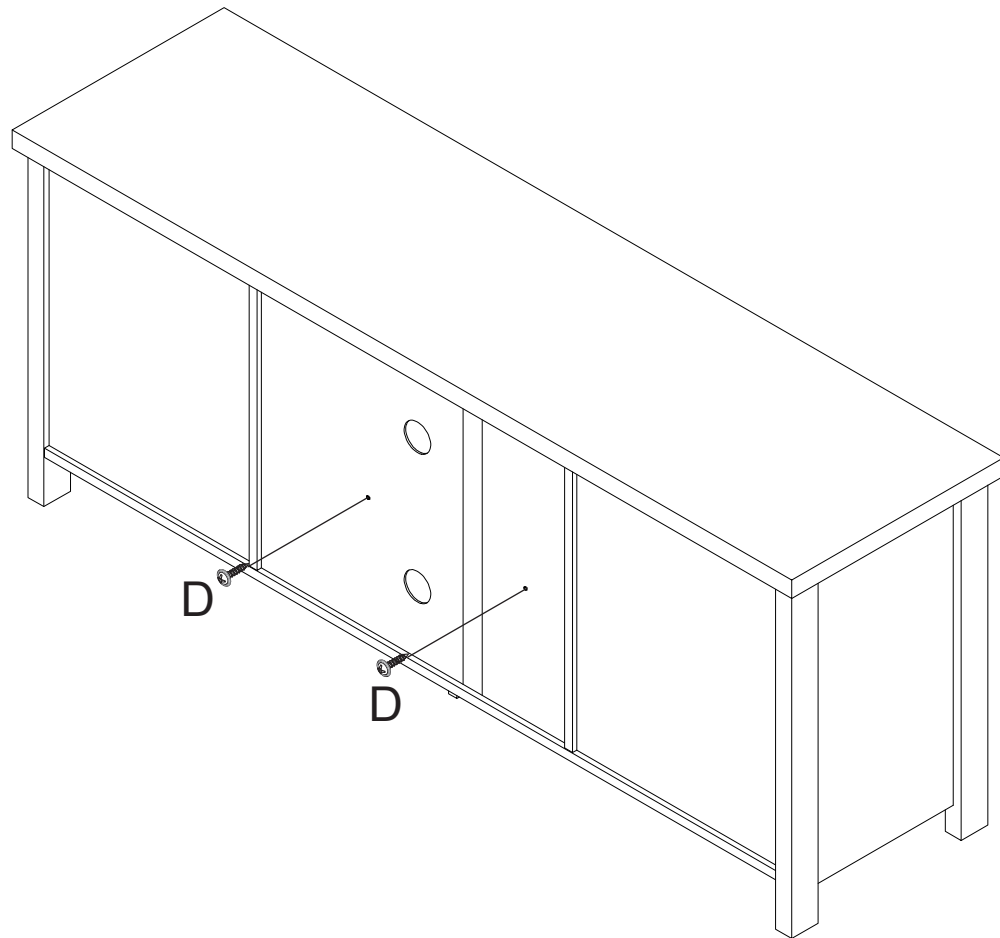
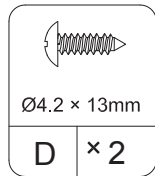
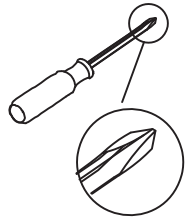
PRODUCT ASSEMBLY

STEP 14



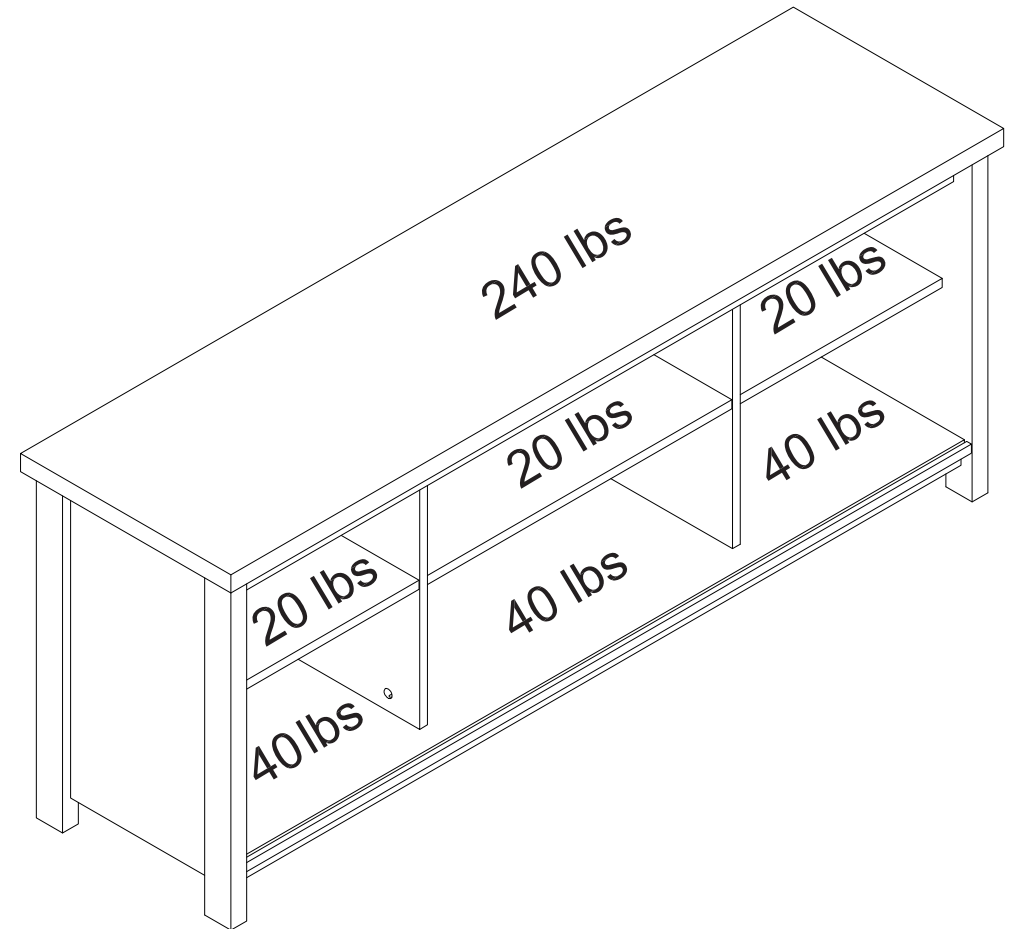
PRODUCT ASSEMBLY

STEP 15



PRODUCT ASSEMBLY

Maximum Loads



**⚠ WARNING**

This item is only suitable within the specified maximum load-bearing. Heavier loads than the indicated load capacity may cause instability, resulting in possible injuries.