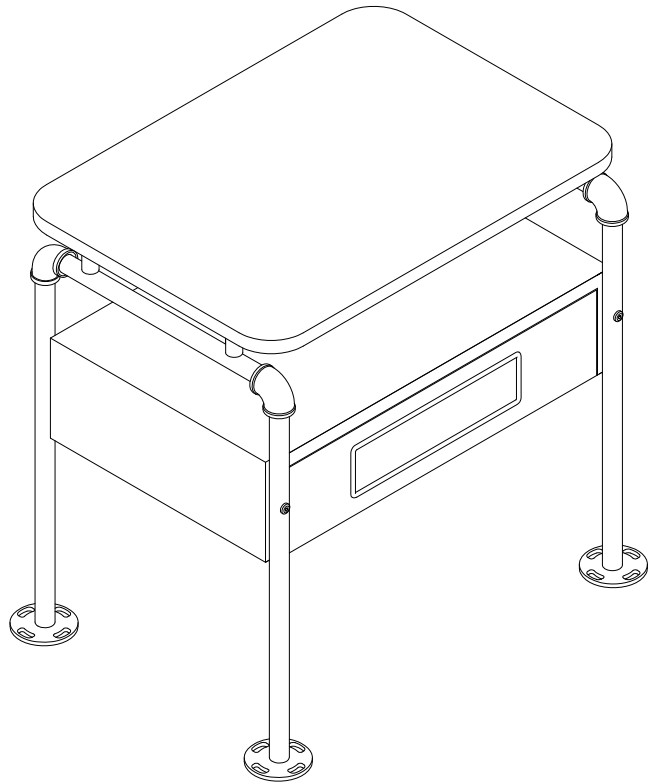


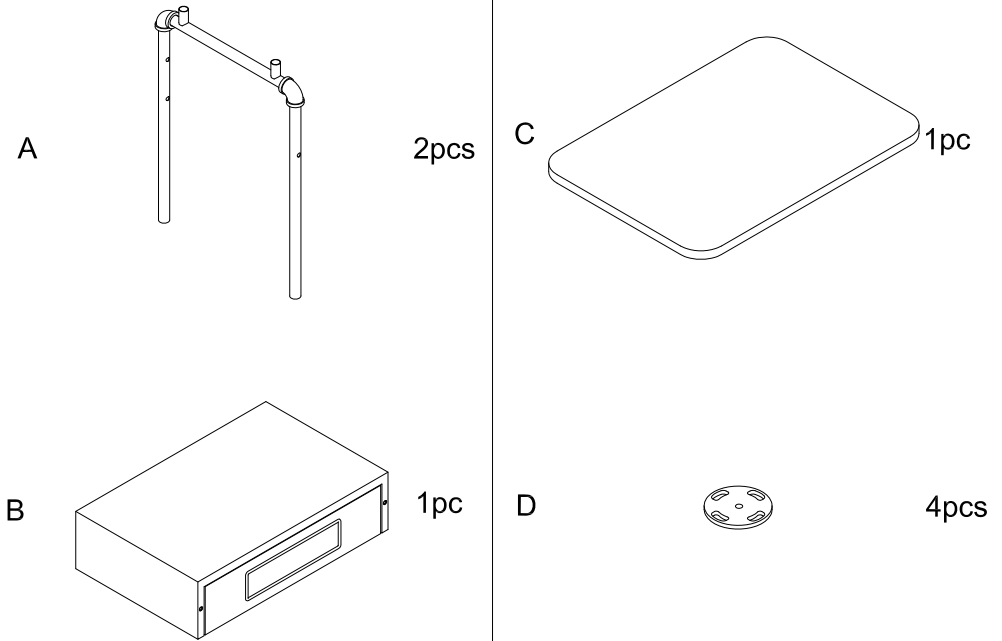
# ASSEMBLY INSTRUCTIONS

Item No.:30737










Do not tighten screws until completely assembled.

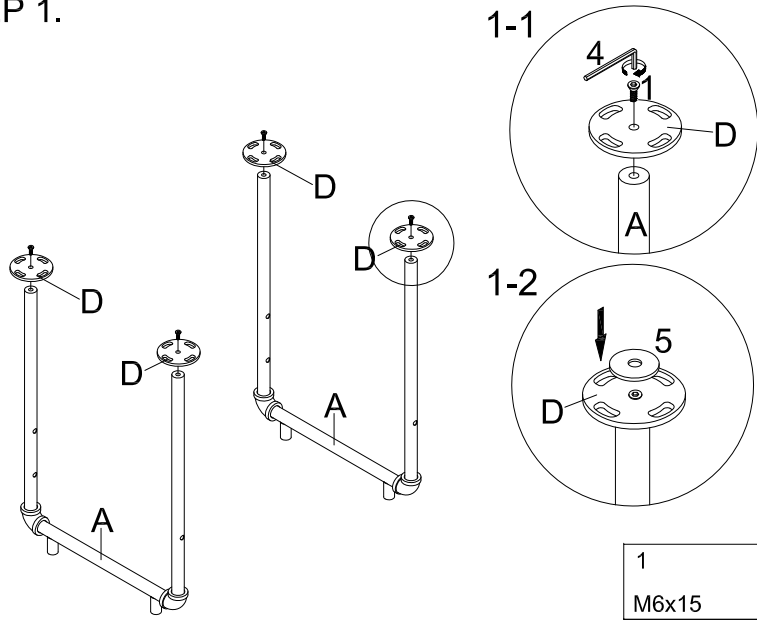
## PARTS IDENTIFICATION





## HARDWARE LIST

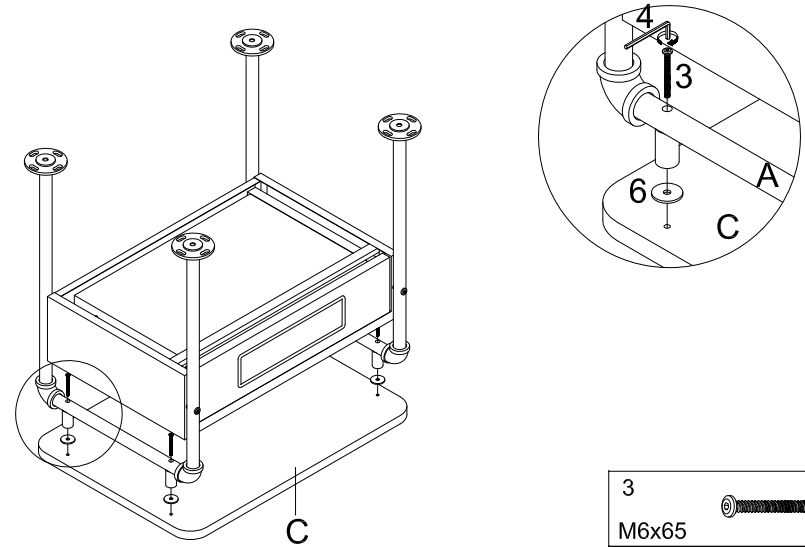
1		4pcs	2		6pcs	3		4pcs
M6x15			M6x35			M6x65		
4		1pc	5		4pcs	6		4pcs
4x4			Ø40			Ø25xØ6x2.0		
7		4pcs						
Ø18xØ8.5x2.0								



STEP 1.



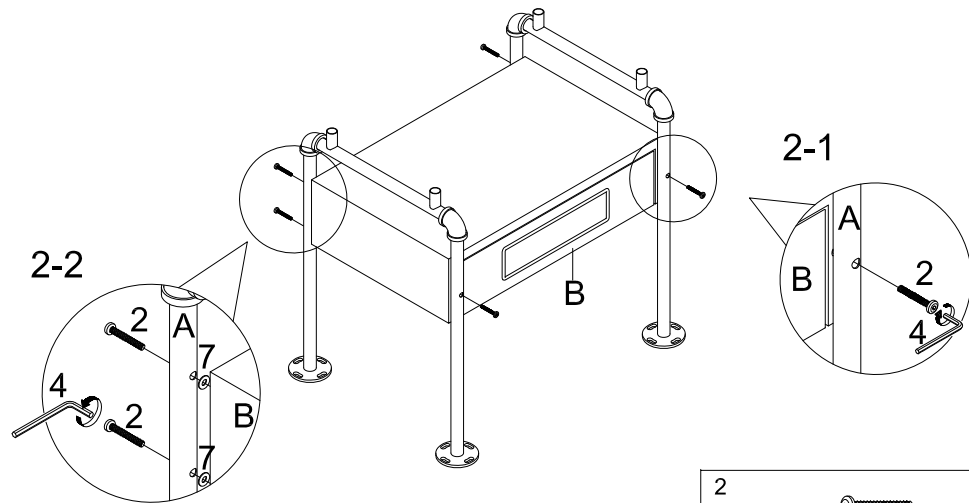
1		4pcs
M6x15		
5		4pcs
∅40		



STEP 3.



3		4pcs
M6x65		
6		4pcs
∅25x∅6x2.0		

STEP 2.



2		6pcs
M6x35		
7		4pcs
∅18x∅8.5x2.0		

STEP 4.

