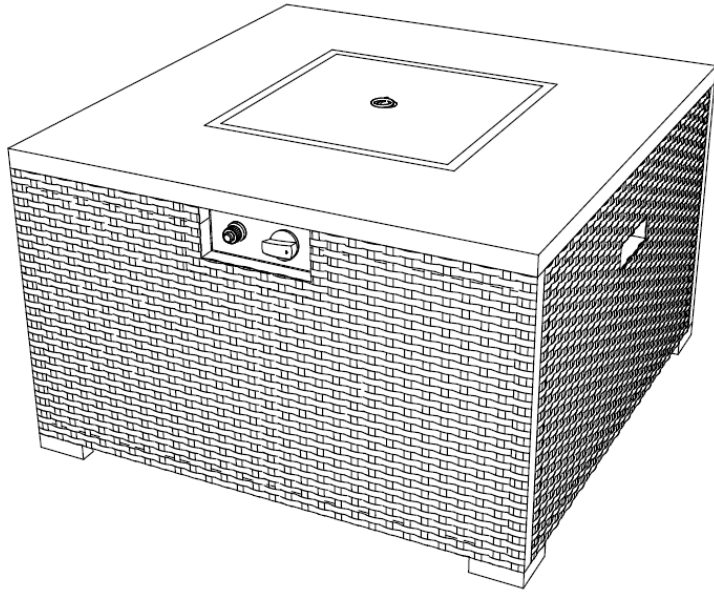


7 1/2" x 14" Fire Table



CONTENTS

- Warnings 1-3
- Diagram 4
- Assembly 5-7
- User's Instructions 8-9
- Operation 10-12
- Maintenance & Storage 13
- Trouble Shooting 14-15
- Warranty Information 16

Warnings

DANGER

CARBON MONOXIDE HAZARD

- This appliance can produce carbon monoxide which has no odor. Using it in an enclosed space can kill you.
- For outdoor use only.
- Never use in the unventilated or enclosed areas.

IF YOU SMELL GAS:

- Shut off gas to the appliance.
- Extinguish any open flame.
- If odor continues, keep away from the appliance and immediately call your gas supplier or fire department for help.

WARNING

- WARNING indicates an imminently hazardous situation which, if not avoided, will result in death or serious injury.
- Do not store or use gasoline or other flammable vapors and liquids in the vicinity of this or any other appliance. An LP-cylinder not connected for use shall not be stored in the vicinity of this or any other appliance.

WARNING

- If the propane gas tank is leaking gas, you may hear, see, or smell a hiss. Do the following:
 1. Disconnect the propane gas tank.
 2. Do not attempt to fix the problem by yourself.
 3. Contact your gas supplier or fire department for help.
- Do not use a flame to check for gas leaks.
- Keep gas tank at least 5 ft away from unit when lit. (if external tank)
- The maximum gas supply pressure is 250psi.

WARNING

- Improper installation, adjustment, alteration, service or maintenance can cause injury or property damage.
- Read the owners manual thoroughly before installing or servicing this equipment. If the information in this manual is not followed exactly, a fire or explosion may result causing property damage, personal injury, or loss of life.

Warnings

WARNING

- The installation of this unit must adhere to local codes or either the National Fuel Gas Code, ANSI Z223. 1/NFPA54, OR CAN/CGA- B149.1, National Gas and Propane Installation Code.
- This unit is to be used with propane gas only! (sold separately), is not intended for natural gas.
- Do not use any solid fuel or charcoal for this unit.
- Do not use any more than 1/4in depth lava rocks/ pumice stones/ Lava Glass above the burner holes. Doing so will suffocate the flame.

WARNING

- Applying too much propane may result in gas pooling and will not burn. Allow fresh air into the unit so that the remaining gas may escape.
- Use LP propane tanks with the following dimensions: diameter 12inch, height 18inch, capacity 20lbs.
- You must use a propane tank that has a collar to protect the gas valve.
- DO NOT fill tank over 80 Percent full.
- The LP gas tank must have a listed overfilling prevention device and a QCCI or Type I, (CGA810) LP gas tank connection.
- The gas supply tank should be constructed and marked with the specifications for the LP gas tanks of the U.S. Department of Transportation or the National Standard of Canada CAN/CSA-B339, LP gas tanks, spheres and tubes for Transportation of Dangerous Goods and Commission.
- Discontinue use if any part of the propane tank is damaged. Rust and dents may be hazardous and should be inspected by a gas supplier.

Warnings

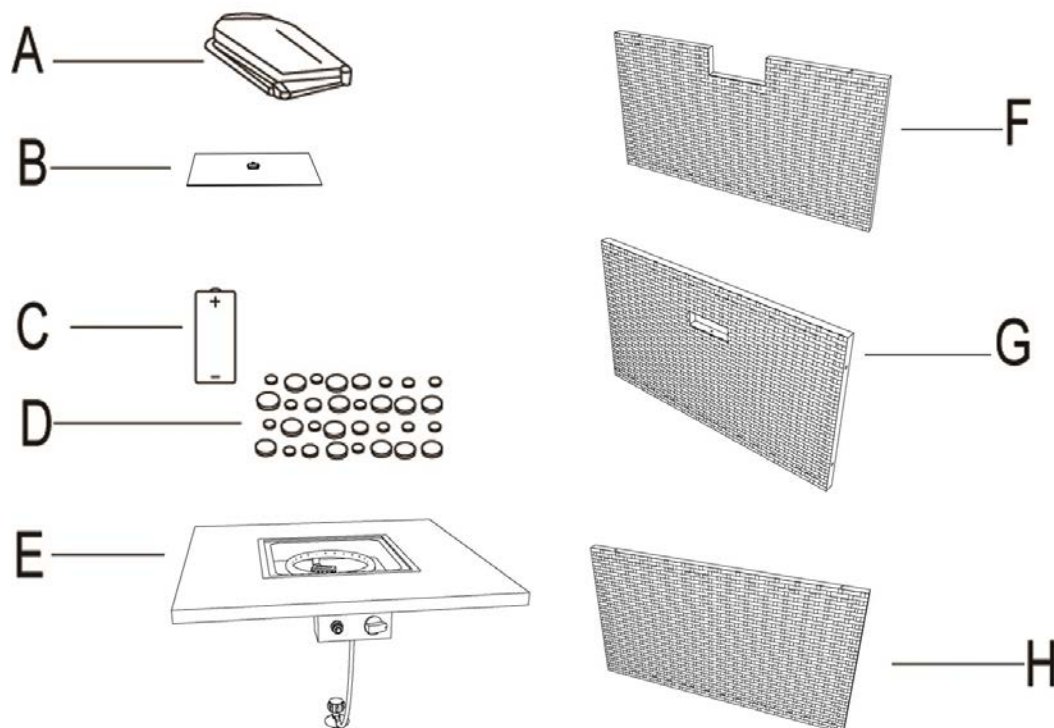
WARNING

- Do not operate unit until all parts are fully assembled.
- Do not attempt to move it while in use.
- This unit is not intended for cooking.
- Young children should be carefully supervised when they are in the area of the appliance.
- Keep away from the unit for the first 20 minutes after igniting for the first time, as lava rock /pumice stones could pop out and cause injury.
- Do not set the protective cover over the unit until it is turned off and completely cooled down.
- Combustible material should not be within 72 inches of the top of the unit, or within 48 inches around the entire unit.
- If the flame goes out while burning, turn the gas valve off. Wait 5 minutes before repeating the initial lighting procedure. Once you have a flame started, hold down the control knob for 1 minute.







WARNING

- Inspect all elements of this heating unit before each use. If there is damage, the burner must be replaced.
- Keep the hose out from any pathways to eliminate any accidental damage. (if external tank)
- Installation and repair should be done by a qualified service person. The appliance should be inspected before use and at least annually by a qualified service person. More frequent cleaning may be required as necessary.
- You must follow all steps to properly assemble this heating item. Make sure the gas valve is turned "OFF" before assembling. Do NOT attempt to assemble without proper tools.

Parts Diagram



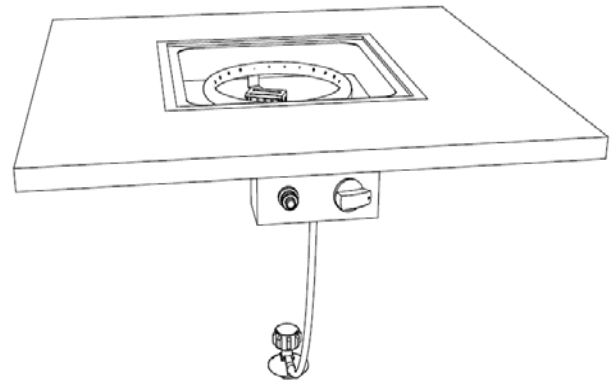
Parts List

A	Polyester Cover		1 pc
B	Table Lid		1 pc
C	Battery AA		1 pc
D	Lava Rock		1 box
E	Fire Table with Burner		1 pc
F	Panel F		1 pc
G	Panel G		2 pc
H	Panel H		1 pc
I	Foot Pad		4 pcs
S004	Bolt (M6*40MM)		8pcs
S003	Bolt (M6*35MM)		4 pcs
	(Please use these 4 bolt to assemble table top)		
W002	M6 Washer		12 pcs
T001	Hex Bolt Driver		1 pc
S001	Bolt (M6*15MM)		8pcs

Assembly Instructions

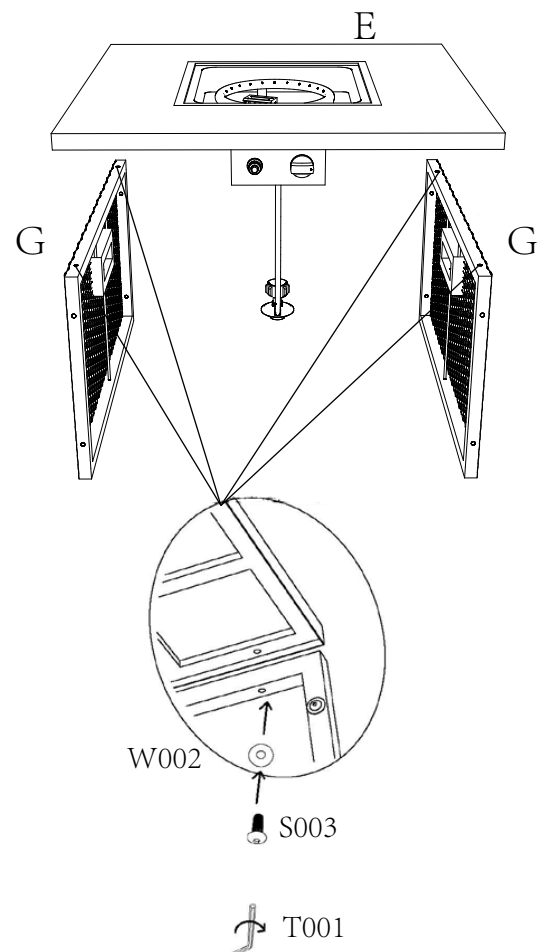
Step 1:

Check the control knob for gas supply system is turned to OFF position before starting your assembly.



Step 2:

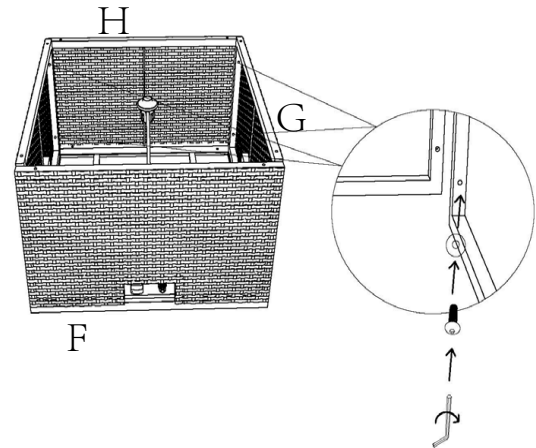
Attach panel (G) 2pc to the table top (E) by using 4pcs of Bolts(S003) and 4pcs M6 washer(W002) with Hex Bolt Driver(T001). Please do not fully tighten.



Assembly Instructions

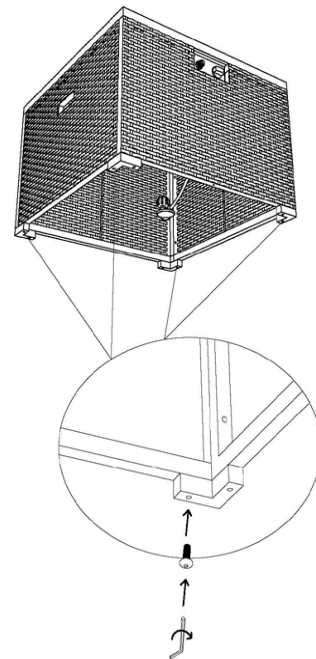
Step 3:

Attach panel (F) with Panel (G) and Panel (H) together by using 8pcs Bolts(S004) and 8pcs M6 washer(W002) with Hex Bolt Driver(T001). Please do not fully tighten.



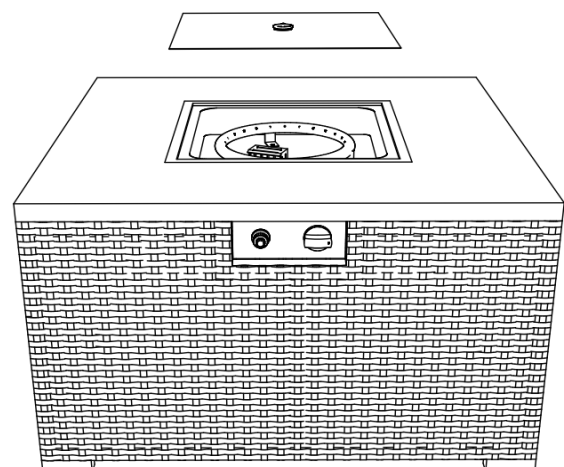
Step 4:

Attach foot pad (I) to the bottom of fire pit using 8pcs of Bolts (S001) with Hex Bolt Driver (T001). And tighten the Bolts.



Step 5:

Put the metal lid on the table top of fire pit. Then tighten all the bolts.



Assembly Instructions

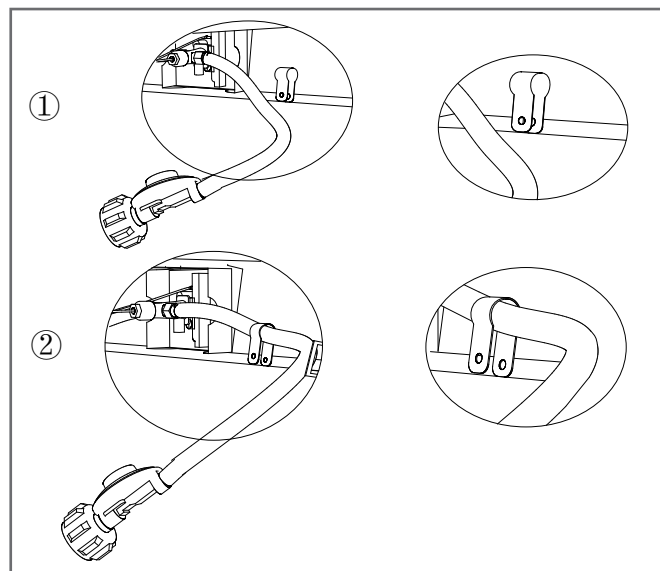
Step 6:

Attach the regulator hose to the bracket.



WARNING

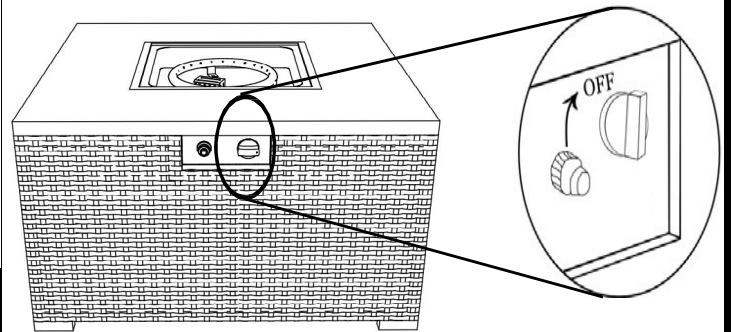
The hose must be fixed in the bracket, otherwise it may get melted and cause fire during usage.



User's Instructions

Step 1:

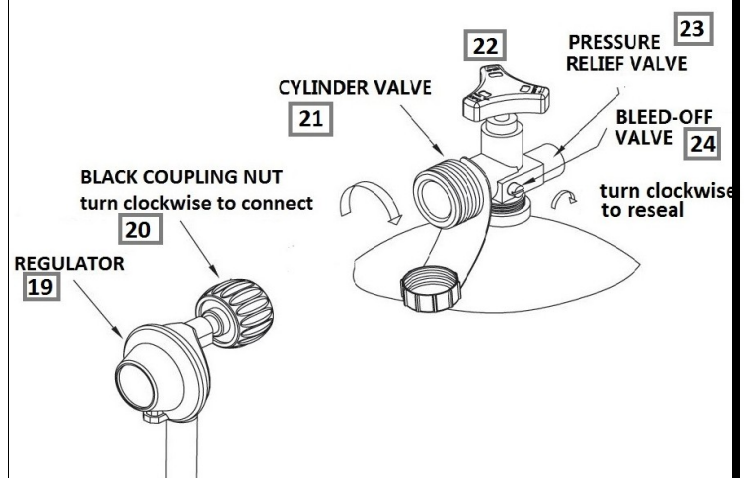
1. Check that the Control Knob for the gas supply system is turned to the OFF position before starting any assembly.
2. Place a 20 lb Propane Gas Tank (not included) into a secure position.



Step 2:

Turn the Cylinder Valve on the tank in a clockwise direction to TURN OFF SUPPLY of the LP Gas supply-Attach the preassembled Regulator (19) from the Fire Table to the Cylinder Valve (21) by turning the Black Regulator Coupling Nut clockwise.

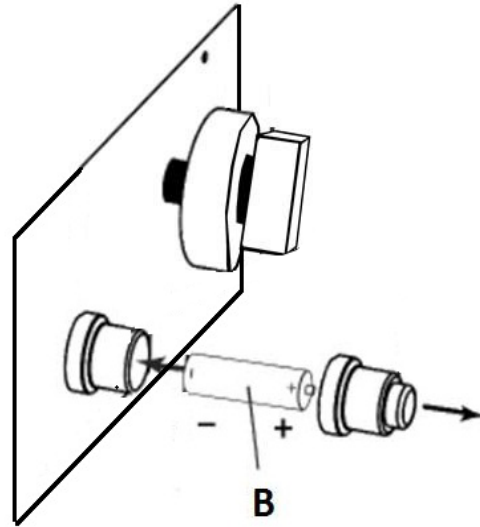
Make sure it is fastened securely and tighten connections-by HAND only.



User's Instructions

Step 3:

Remove the Electronic Igniter Cap on the Electronic Igniter by unsecuring and slide the Battery (B) into the battery slot. Make sure the positive side of the Battery faces outwards. Screw the Electronic Igniter Cap over the battery, tightly.

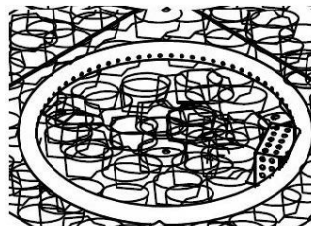
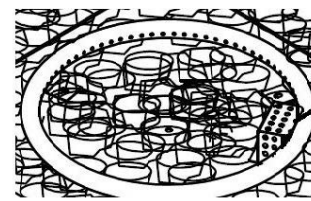
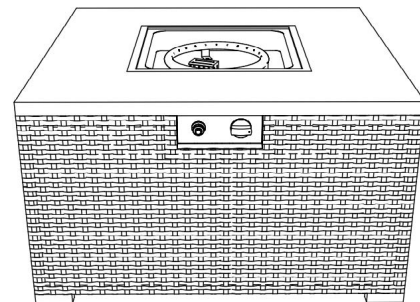
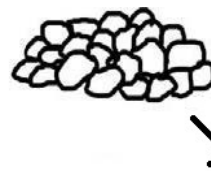


Step 4:

Put Lava rock over the Burner Ring.

Warning: DO NOT PLACE LAVA ROCK ON THE GUARD. KEEP GUARD CLEAN.

To ensure proper function, the Guard on the Burner should never have lava rock covered over it.



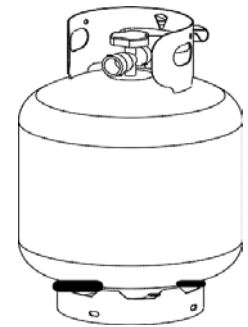
Guard
DO NOT PLACE FIRE GLASS ON THE
GUARD. KEEP GUARD CLEAN.

CORRECT

INCORRECT

Operation

- Connect hose and regulator to cylinder
- The propane gas and cylinder are sold separately. Use a standard 20 lb. propane cylinder only.
- Use this heater only with a propane vapor withdrawal supply system.
- Storage of an appliance indoors is permissible only if the cylinder is disconnected and removed from the Standard 20 lb. tank appliance.
- A cylinder must be stored outdoors in a well-ventilated area out of the reach of children. A disconnected cylinder must have dust caps tightly installed and must not be stored in a building, garage or any other enclosed area.
- The cylinder must have a listed overfilling prevention device. The cylinder must have a connection device compatible with the connection for the appliance.
- Place the dust cap on the cylinder valve outlet whenever the cylinder is not in use.
- Only install the type of dust cap on the cylinder valve that is provided with the cylinder valve. Other type of caps or plugs may result in leakage of propane.
- The cylinder used must include a collar to protect the cylinder valve. Never connect an unregulated propane cylinder to the heater. Attach regulator to cylinder. Complete attachment. Fasten cylinder with strap, install cylinder.
- **ATTENTION: THIS PRODUCT IS NOT FOR COMMERCIAL USE INTENDED FOR RESIDENTIAL USE ONLY.**



Standard 20 lb. tank

Operation

LEAK CHECK

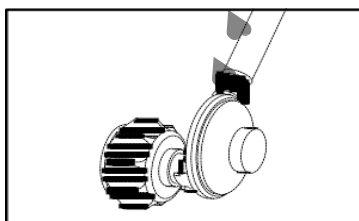
1. NEVER USE A LIGHTER/FLAME TO CHECK FOR GAS LEAKS.
 2. Make 2-3 oz. of leak check solution (one part liquid dishwashing detergent and three parts water).
 3. Apply several drops of solution where hose attaches to regulator.
 4. Apply several drops of solution where regulator connects to cylinder.
 5. Make sure all fire pit and light valves are OFF. And turn cylinder valve ON
- If bubbles appear at any connection, there is a leak.

- 1). Turn cylinder valve OFF.

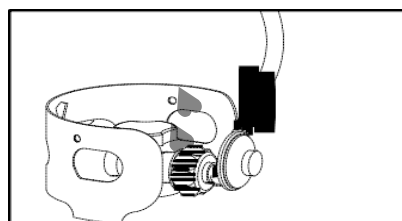
If leak is at hose/regulator connection: tighten connection and perform another leak test. If bubbles continue appearing, the hose should be returned to the place of purchase.

- 2). If leak is at regulator/cylinder valve connection: disconnect, reconnect, and perform another leak check. If you continue to see bubbles after several attempts, cylinder valve is defective and should be returned to cylinder's place of purchase.

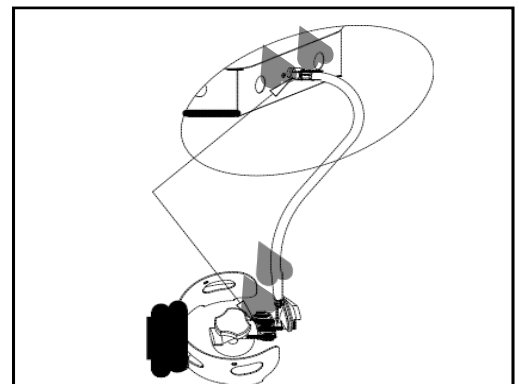
If NO bubbles appear at any connection, the connections are secure.



Hose / Regulator
connection



Regulator / Cylinder
connection



NOTE: Whenever gas connections are loosened or removed, you must perform a complete leak test. Complete installation.

Operation

LIGHTING INSTRUCTIONS

1. Turn the control knob to the "OFF" position.
2. Fully open LP cylinder valve.
3. Push in gas control knob and turn counterclockwise to "LOW", press the Igniter button repeatedly to light the burner.
4. If ignition does not occur within a few seconds release the control to the "HIGH", then release control knob. If you want a lower temperature, push in the control knob and turn counterclockwise to the "LOW" (Figure c).

Note: Improper operation, can cause injury or property damage. If burner fails to remain lit, all valves should be closed and a waiting period of at least 5 minutes should pass before attempting to light.

Be careful when attempting to manually ignite this fire pit. Holding in the control knob for more than 10 seconds before igniting the gas will cause a ball of flame upon ignition.

HOW TO EXTINGUISH ?

- Turn control knob clockwise to the "low" position; let the knob pop up and continue turning the control knob to the "off" position.
- Wait 5 minutes after extinguishing flame prior to placing a lid (if applicable) or protective cover on heating item.
- Close the cylinder valve on the propane gas tank if you don't intend to use it for a long time.

Maintenance & Storage

To enjoy years of outstanding performance from your heater, make sure you perform the following maintenance activities on a regular basis:

- Before performing any maintenance always disconnect propane gas tank.
- Use warm soapy water for cleaning. Never use flammable or corrosive cleaning agents.
- Use high-quality automobile wax to help maintain the appearance of your fire pit. Apply to exterior surfaces only, do not apply to burner.
- Spiders and insects can nest in burner or orifices. This dangerous condition can damage fire pit and render it unsafe for use. Clean burner holes by using a heavy-duty pipe cleaner. Compressed air may help clear away smaller particles.
- Carbon deposits may create a fire hazard. Clean dome and burner screen with warm soapy water if any carbon deposits develop.
- If storing this unit inside, disconnect the propane gas tank from the gas valve.
- Always place lid (if applicable) or protective cover on heating item when not in use. Turn control knob OFF.
- Use high-quality automobile wax to help maintain the appearance of your fire pit. Apply to exterior surfaces only.

Caution: Always allow fire pit to cool before attempting service.

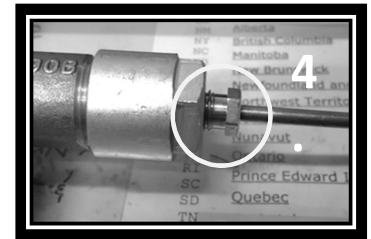
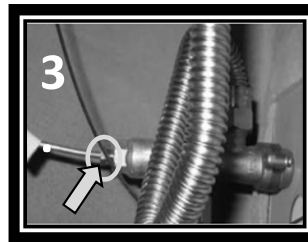
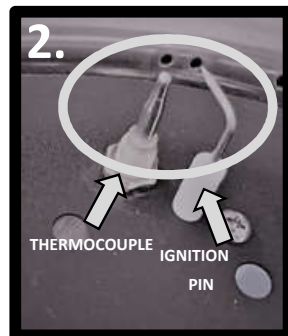
NOTE: In a salt-air environment (such as near to ocean), corrosion occurs more quickly than normal. Frequently check for corroded areas and repair them promptly.

Trouble Shooting

PROBLEM	CAUSE	SOLUTION
Burner will not light using igniter	Electrode and burners are wet	Wipe dry with cloth.
	Igniter battery is dead or backwards	Check that the battery is inserted correctly in the igniter or replace the battery. Make sure the plastic wrap on the battery has been removed.
	Igniter Pin cracked or broken - sparks a crack	Contact us. for a replacement part
	Residue on Igniter Pin	Check for residue on the igniter pin or Thermocouple. If dirty,thoroughly clean the area. Check that the electronic Ignitor Cap is tightly fitted to the spring.If loose,please adjust the spring accordingly.
Burner will not light with match	No Gas Flow	Check if the LP gas tank is empty. If empty, replace and refill. If the propane tank is not empty, refer to Problem: Sudden drop in gas flow on the following page.
	Coupling nut and regulator not fully connected	Turn the coupling nut about one half to three fourths a turn, until you feel a solid stop. Do not use tools, tighten by hand only.
	Obstruction of gas flow	Check for bent or kinked hose.
	Spider webs or insect nest in the venturi	Clean the venturi.
	Burner ports clogged or blocked	Reference Problem: Irregular flame pattern on the following page. Clean the burner ports as described there.
The fire table emits a lot of black smoke when in use	Hose from gas fire table is pinched	Make sure the hose is not pinched between the fire table and the source of the gas.
	Flame is being obstructed at burner ports or mixing chamber of the burn tube is blocked or obstructed	Make sure that the gas ports on the burner are free of any lava rocks/fire glass so that the flame can flow naturally.Clear out the mixing chamber located before the Venturi.
Sudden drop in gas flow, or a reduced flame height	Out of Gas	Check for gas in the LP gas tank.
	Excess flow safety device may have been activated	Turn control knob to OFF, wait 30 seconds and light outdoor fire table.if flames are still too low, reset the excessive flow safety device by turning off the control knob and LP gas tank valve. Disconnect regulator. Turn burner control knob to HIGH. Wait at least 5 minutes. Turn burner control knob off. Reconnect regulator and perform a leak check at tank connection. Turn LP gas tank valve on slowly, wait 30 seconds and then light outdoor fire table.
Irregular flame pattern, flame does not run the full length of the burner	Burner ports are clogged or blocked	Clean burner ports.Do this by inserting a paperclip into each of the burner ports to ensure they are not clogged. WARNING: Make sure burner is not on, and has had sufficient time to cool before touching it.
Flame blow out	High or gusting winds	Increase flame to HIGH setting.
	Low on LP gas	Replace or refill LP gas tank.
	Excess flow valve tripped	Refer to Problem: Sudden drop in gas flow.
Flame seems to lose heat when burning in cold weather - temperature below 50°F	Ice has built up on the outside of the LP gas tank because the vaporization process is too low	Turn the control knob and the LP gas tank to OFF. Replace with a spare LP gas tank and resume burning. Store the spare LP gas tank in a well ventilated area, away from children.

Trouble Shooting

Problem: Burner JUST LIGHT UP FOR SECOND AND WILL AUTOMATICALLY TURN OFF



1. The thermocouple will be under the Pilot Guard on the top of the unit. Please remove the Pilot guard by unscrewing it from the metal bowl with a screw driver.
2. Once the Pilot Guard has been removed, you will have two components exposed; the copper one is your thermocouple. Please unscrew the nut holding the thermocouple in place.
3. Inside the unit, you will notice that the end of the thermocouple line is directly screwed to the gas valve. Please unscrew the thermocouple from the back end of the gas valve. Do not take off the valve's silver backing, only unscrew the small nut as shown above.
4. Screw the end of the thermocouple to the back end of the gas valve with the silver backing.

Once this has been done, please test the unit. You may have to reset the gas valve once again as the safety mechanism may have been set off by the new components introduced:

Resetting Your Gas Valve

Completely detach the propane tank from the table. Do not forget to turn the propane tank valve down. Turn the heat knob to high and leave it on that setting for about two to three minutes.

Once you have done this, please turn the knob back to off. Hook up the propane tank and turn the propane tank's valve a quarter of a turn at a time.

NOTE: When reattaching the propane tank, please turn the valve to release the gas back in to the unit VERY SLOWLY. We want the unit to register gas coming through but not too much at once, this will flood the unit and you will have to start all over!

This is so that the gas valve can register the gas coming through a little at a time. Once you have turned the gas on all the way please go ahead and try to light the table again. This should reset your fire table's safety mechanism

Warranty Information

This product has been manufactured under the highest standards of quality and workmanship.

We warrant to the original consumer that all aspects of this product will be free of defects in material and workmanship for one year from the date of purchase. A replacement for any defective part will be supplied free of charge for installation by the consumer. Defects or damage caused by the use of other than genuine parts are not covered under this warranty.

This warranty shall be effective from the date of purchase as shown in the purchase receipt.