
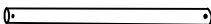



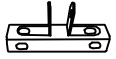
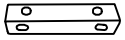




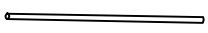







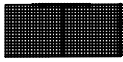
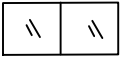


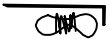

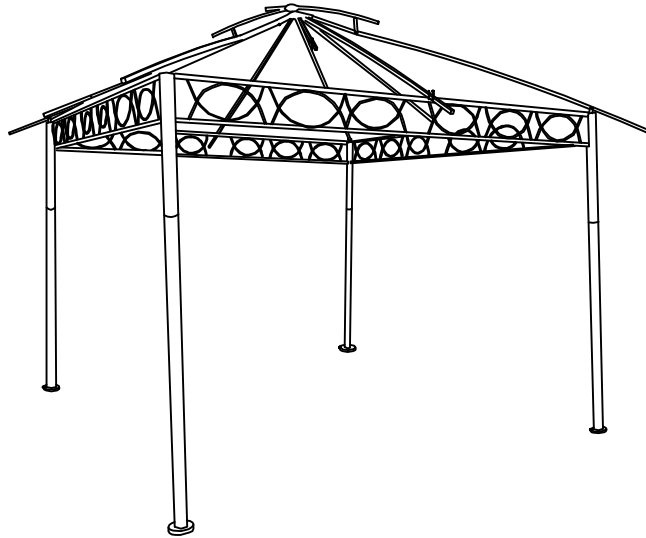


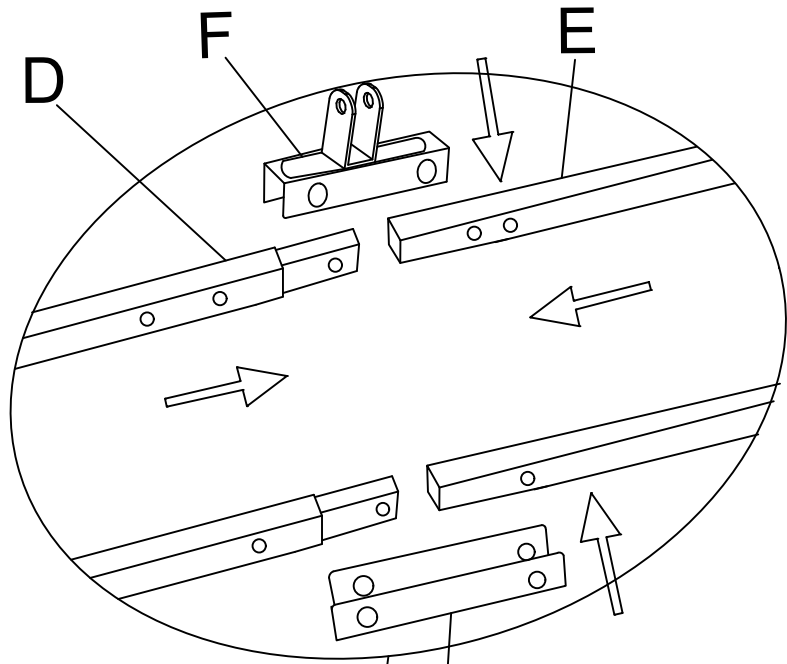
MX212743

3x3

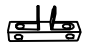
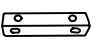




A		4pcs
B		4pcs
C		4pcs
D		4pcs
E		4pcs
F		4pcs
G		4pcs
H		4pcs
I		4pcs
J		4pcs
K		4pcs
L		16pcs
M		1pc
N		32pcs
O	 M6*60	16pcs
P	 M6*30	32pcs
Q	 M6*15	28pcs
R		1pc
S		1pc
T		1pc
U		1pc
X		48
Z		1/1
Z1		8pcs
Z2		4pcs

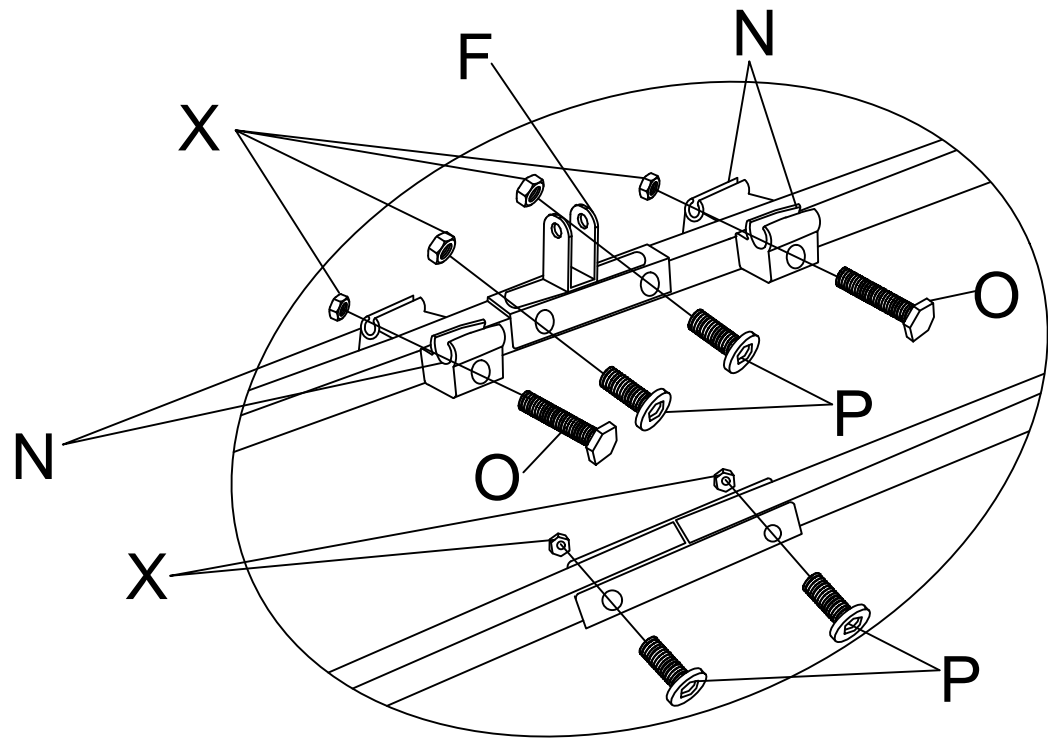
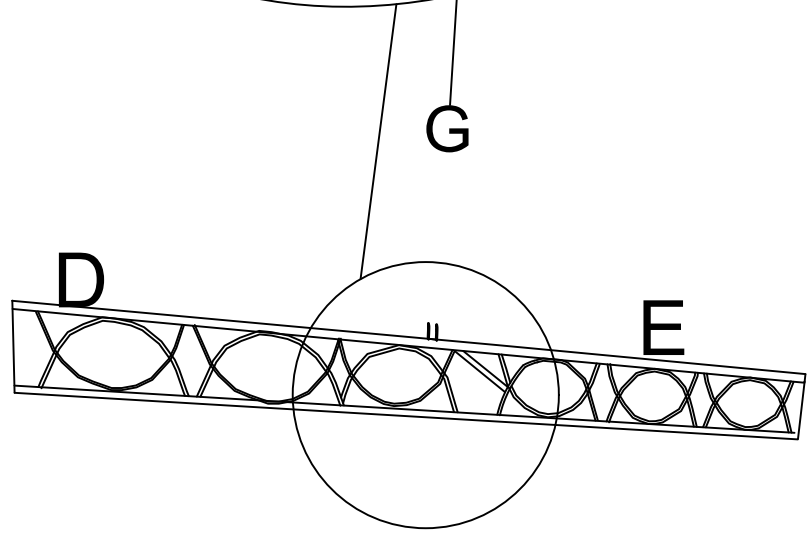


①



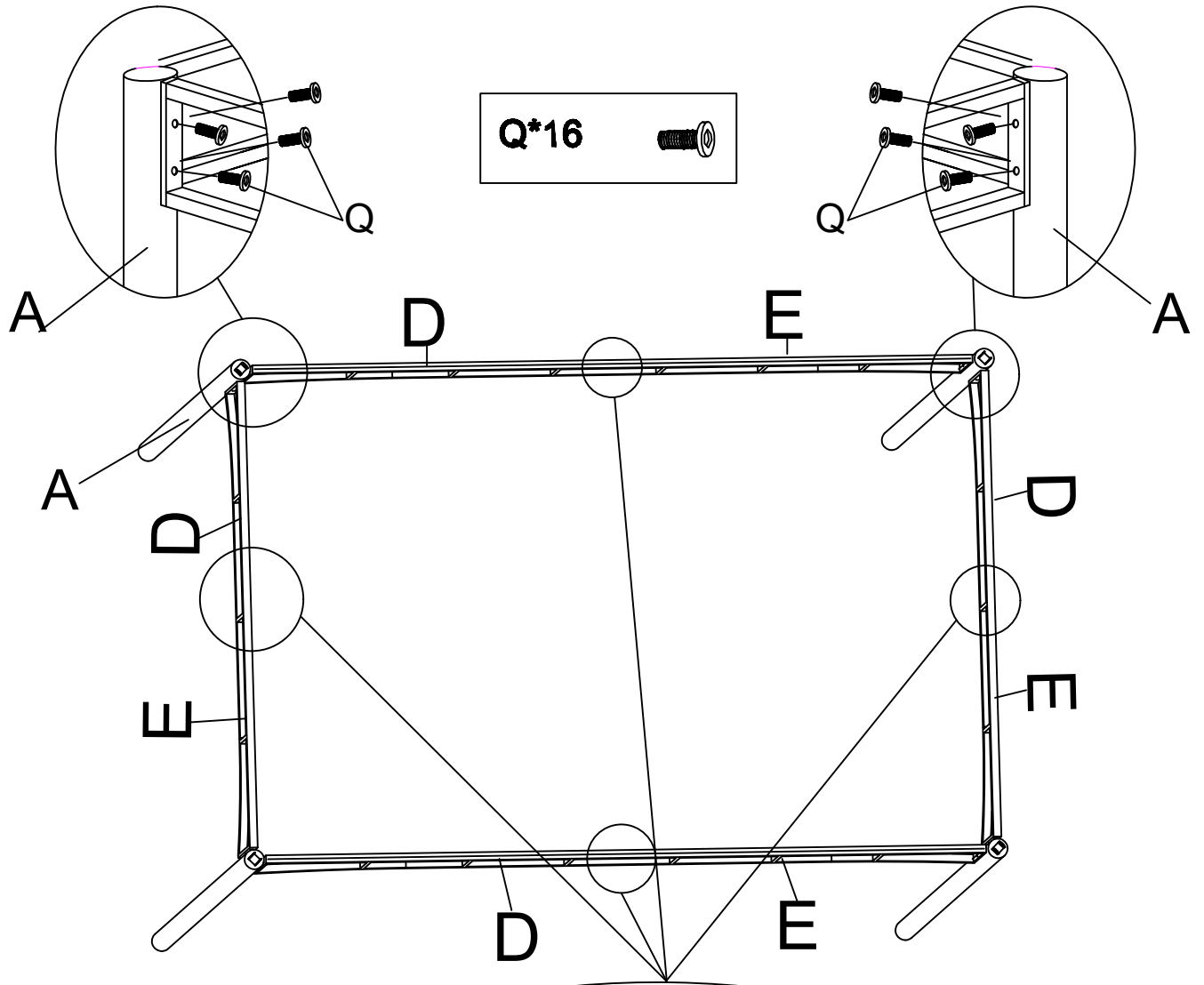
①

- F\*4** 
- G\*4** 
- N\*32** 
- O\*16** 
- P\*16** 
- X\*32** 

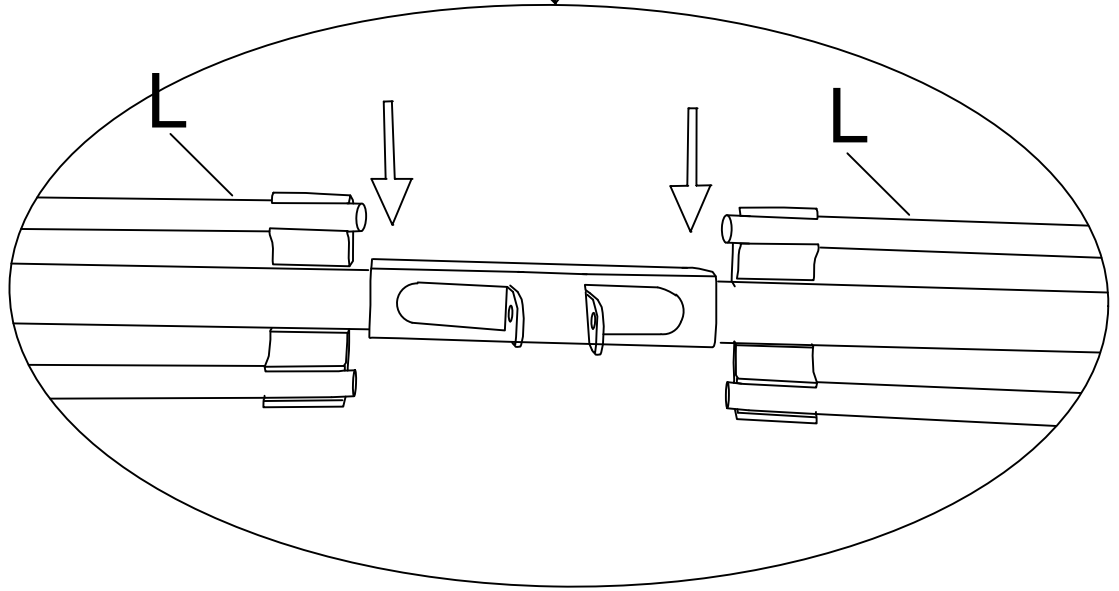


②

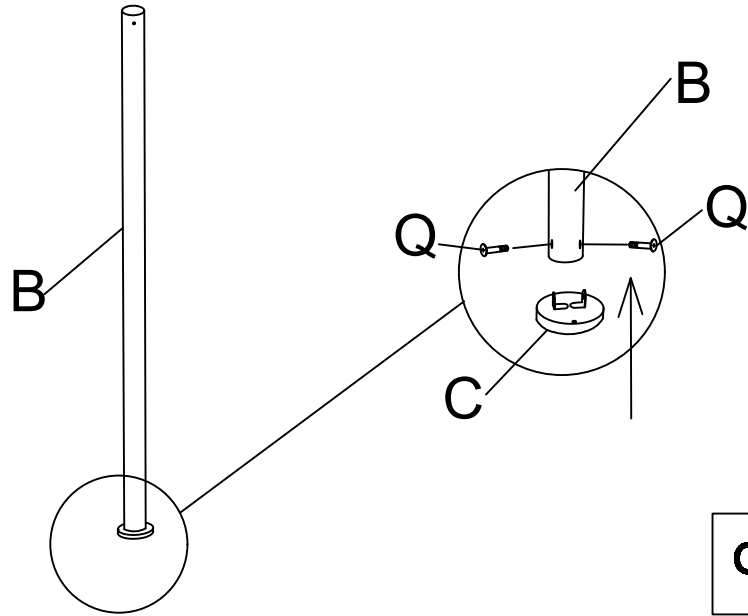
2



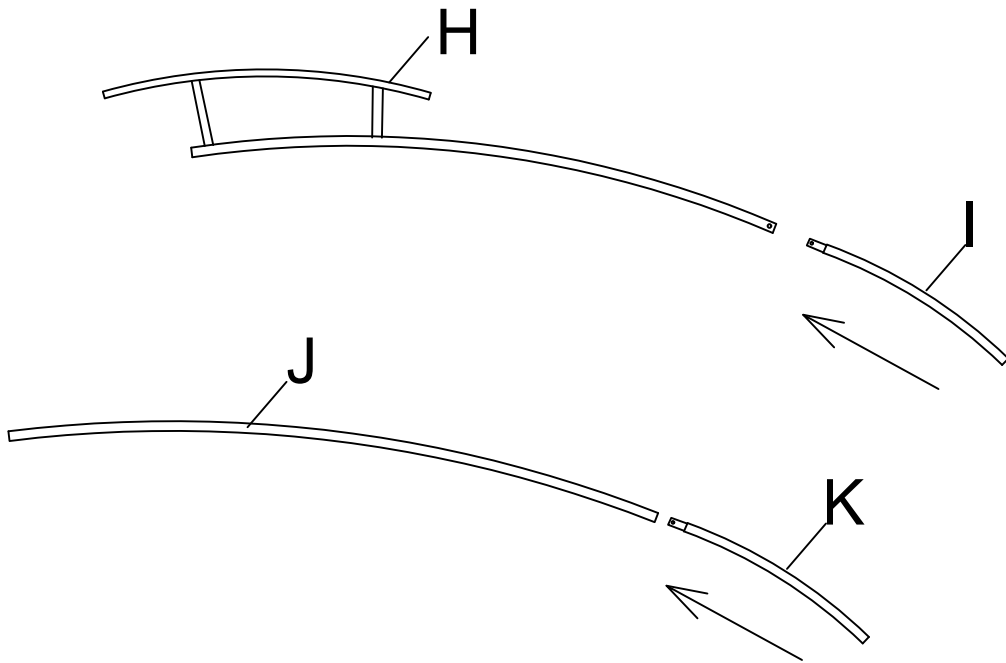
Q\*16



3



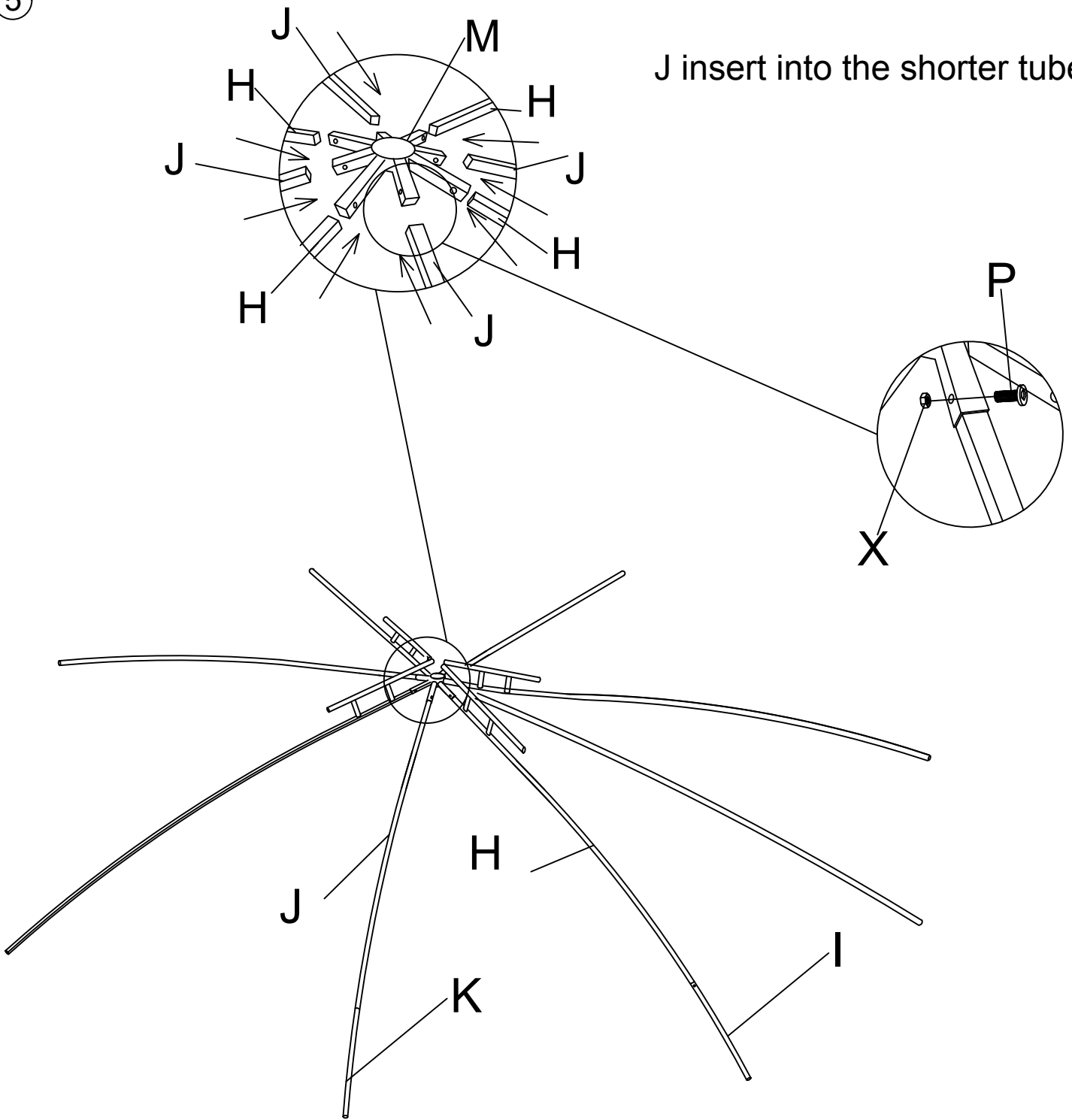
4





5

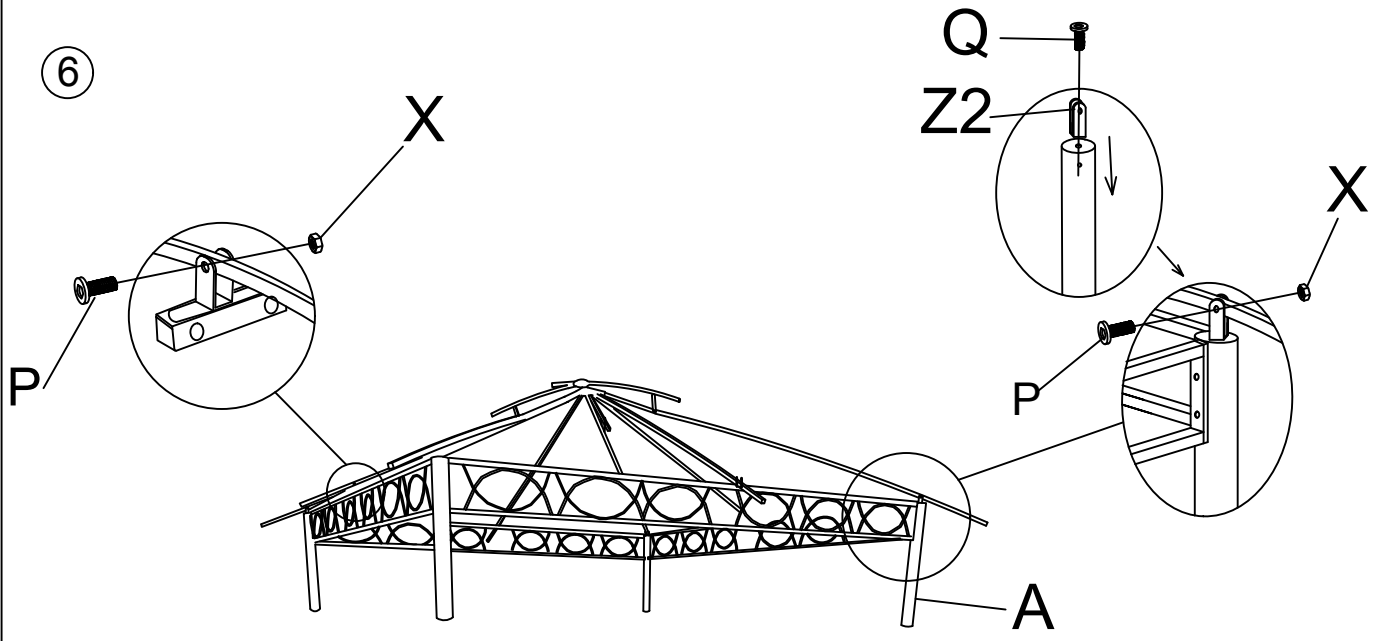
H insert into the longer tube




J insert into the shorter tube



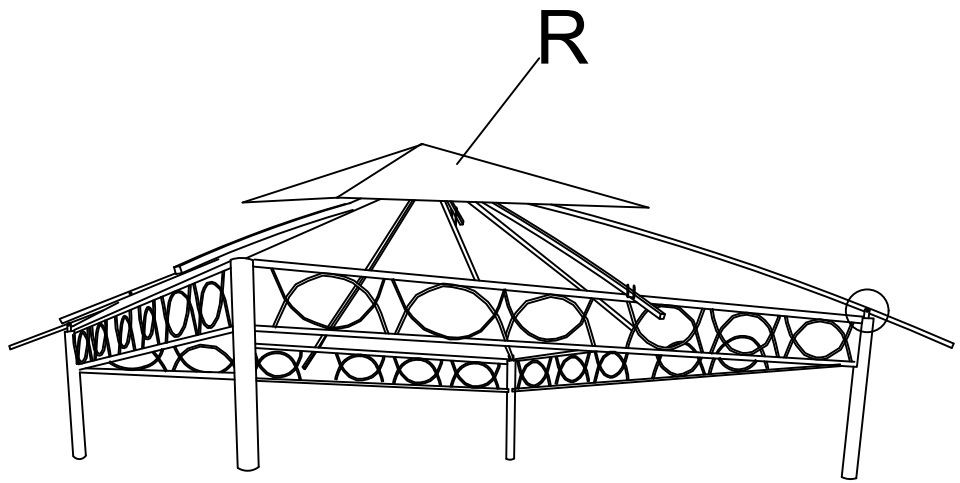
<b>P*8</b>	
<b>X*8</b>	

6

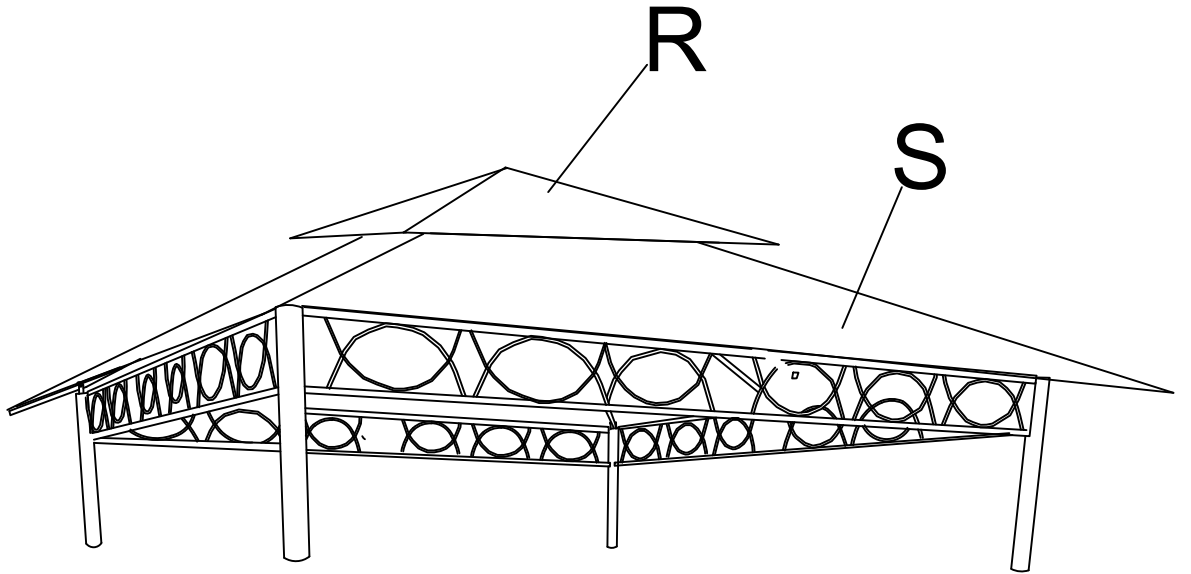


- |            |   |
|------------|---|
| <b>Q*4</b> |    |
| <b>P*8</b> |   |
| <b>X*8</b> |  |

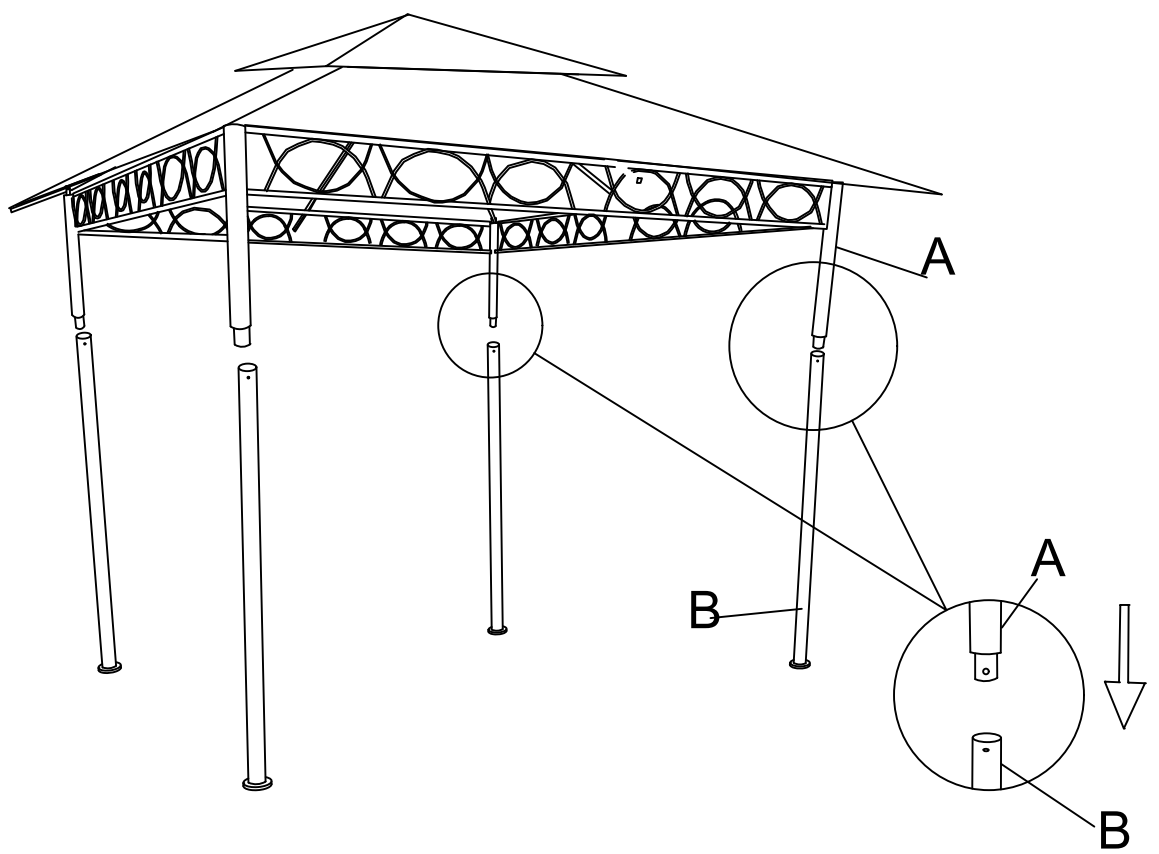
7



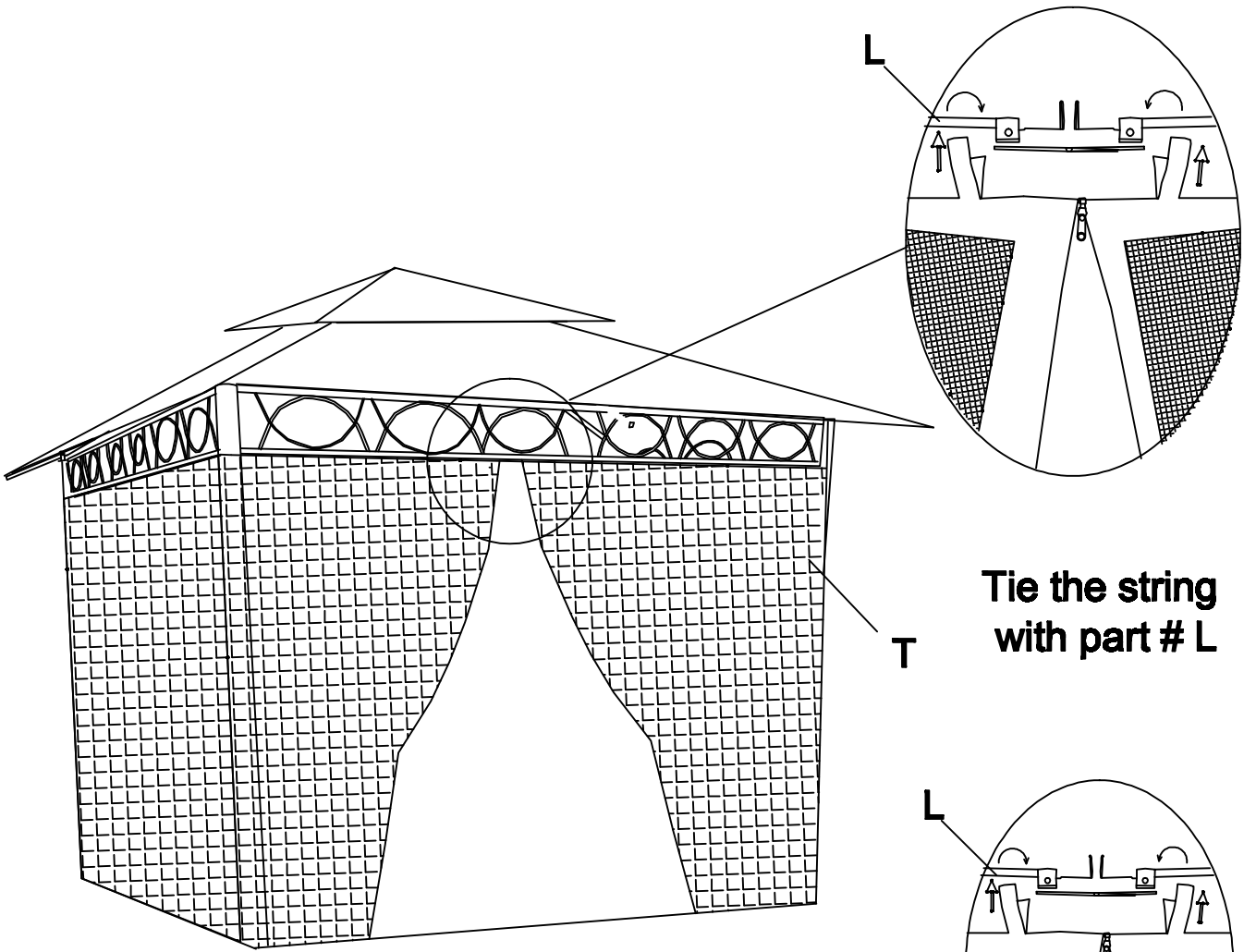
8



9



10



**Tie the string  
with part # L**

11

