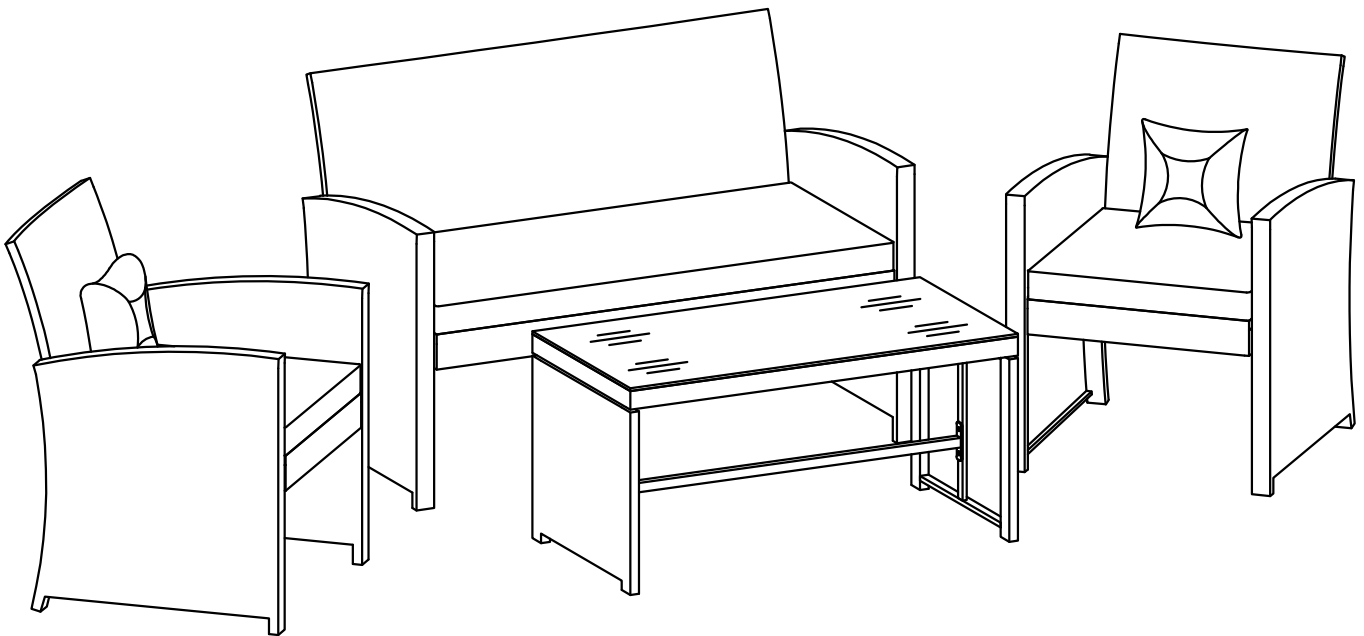


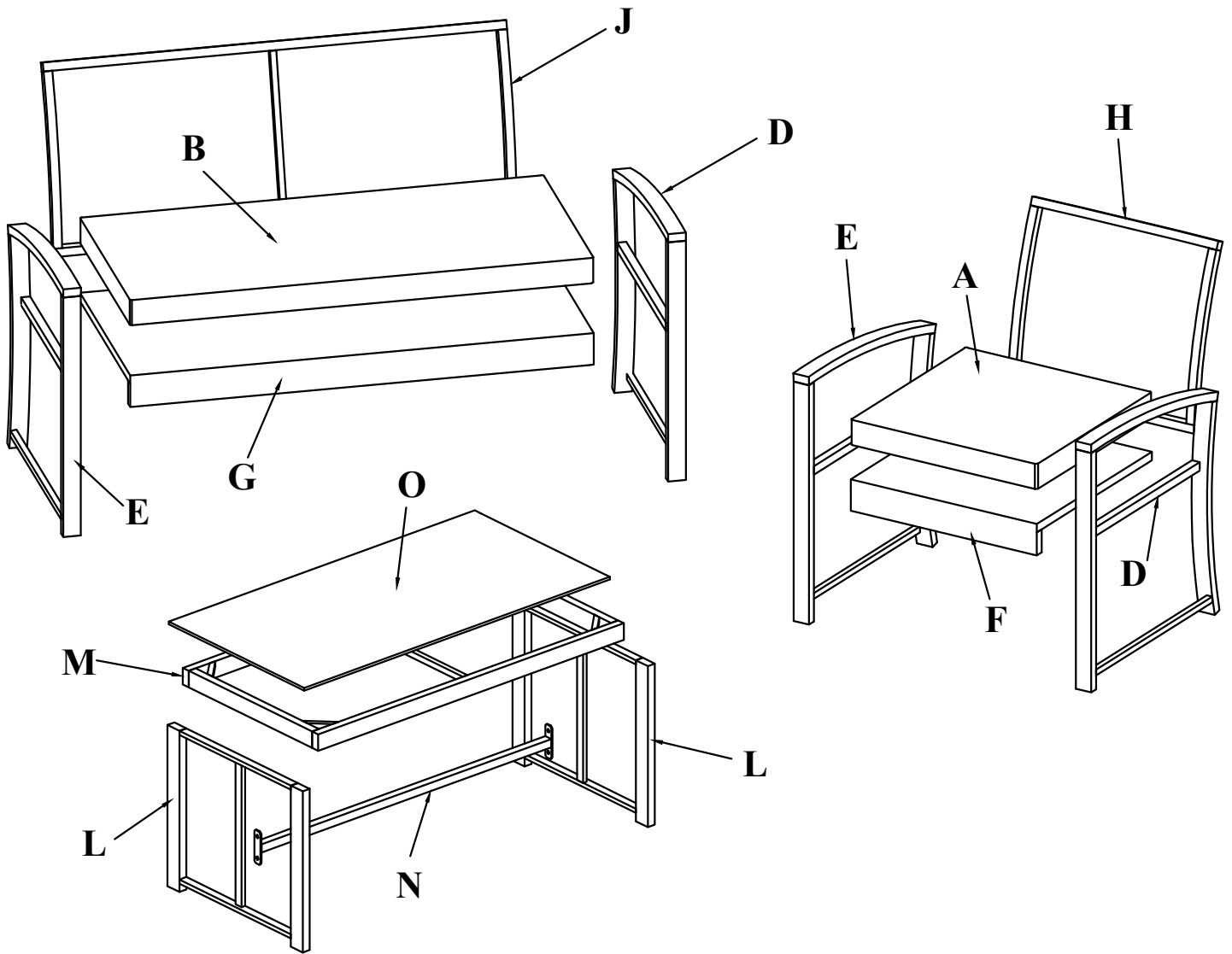
# ASSEMBLY INSTRUCTION

---

## RATTAN SOFA SET



**WF191805**

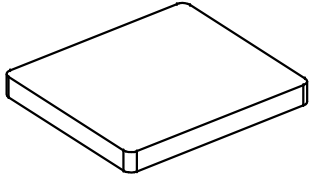


### Notice:

1. **50% Tighten before fixing all screws, Allen wrench is recommended instead of an electric drill.**
2. **Place the item on a flat ground to adjust and make sure it remains stable.**
3. **Tighten up all screws with tools gradually.**
4. **If the screws are not aligned with holes during assembly, please loosen all the other screws to 50% and continue the assembly process.**
5. **If the item is not stable, please loosen all the screws, adjust it on a flat ground and tighten up all screws again.**
6. **Note: If one or some screws are fully tightened during assembly, chances are the others will not be aligned with holes. In addition, all the holes are designed to be relatively larger to provide more space for the adjustment of the screws.**

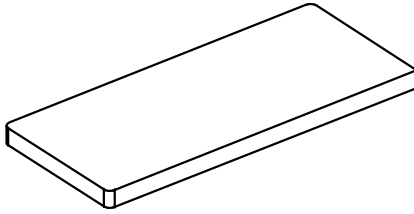
**Part list**

**A**



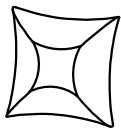
**Chair seat cushion (2 pcs)**

**B**



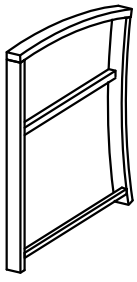
**Bench seat cushion (1 pc)**

**C**



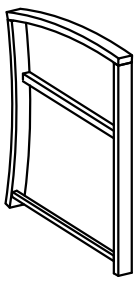
**Pillow (2 pcs)**

**D**



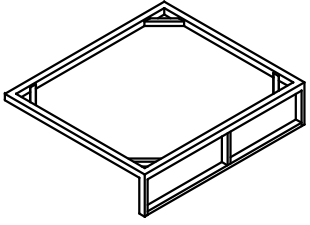
**Left frame (3 pcs)**

**E**



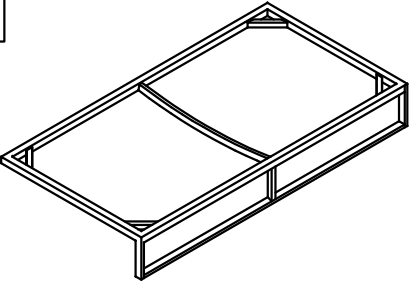
**Right frame (3 pcs)**

**F**



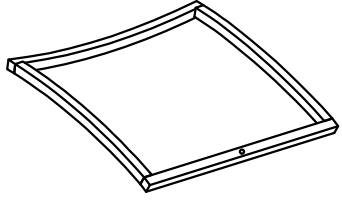
**Chair seat frame (2 pcs)**

**G**



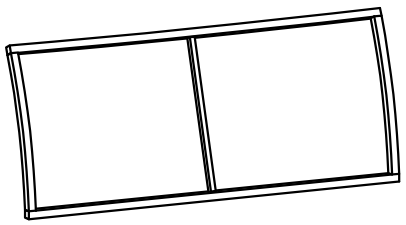
**Bench seat frame (1 pc)**

**H**



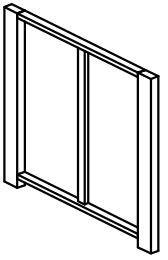
**Chair back frame (2 pcs)**

**J**



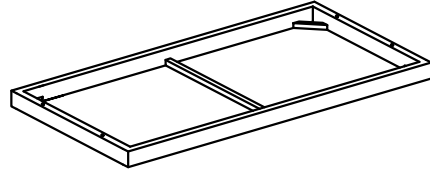
**Bench back frame (1 pc)**

**L**



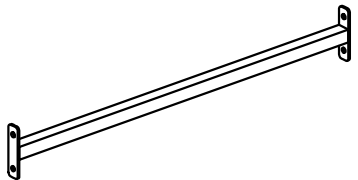
**Leg table (2 pcs)**

**M**



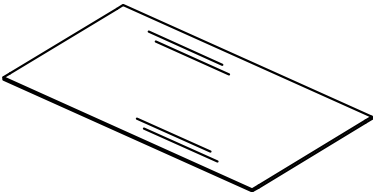
**Table top frame (1 pc)**

**N**



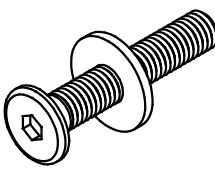
**Bracing table (1 pc)**

**O**



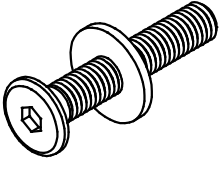
**Glass table (1 pc)**

**1**



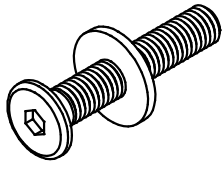
**Bolt M6 x 15 mm (4 pcs)**

**2**



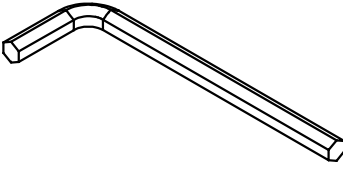
**Bolt M6 x 30 mm (10 pcs)**

**3**



**Bolt M6 x 40 mm (30 pcs)**

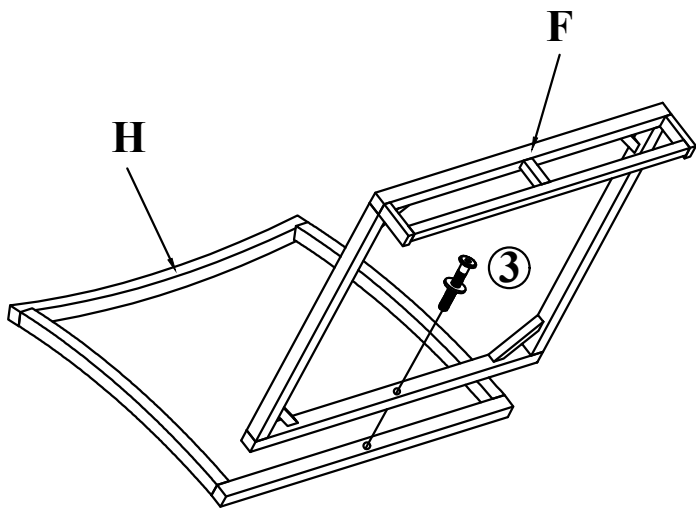
**4**



**Allen key M4 (1 pc)**

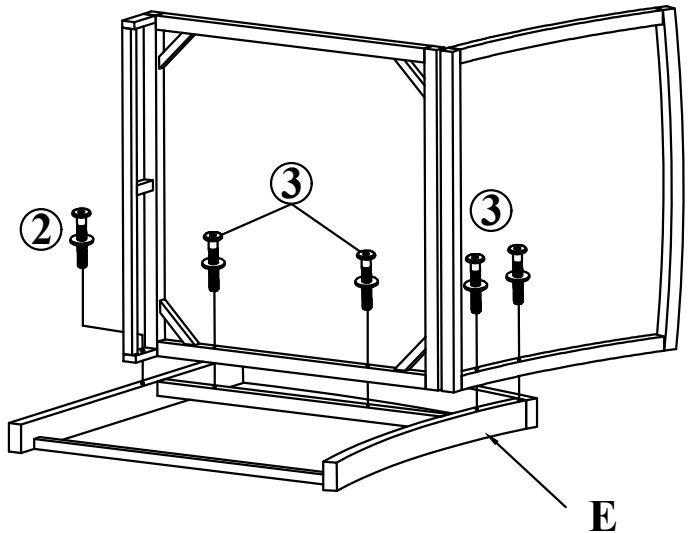
### STEP 1 (Chair assembly)

Connect Chair back frame (H) & Chair seat frame (F) with Bolt (3)



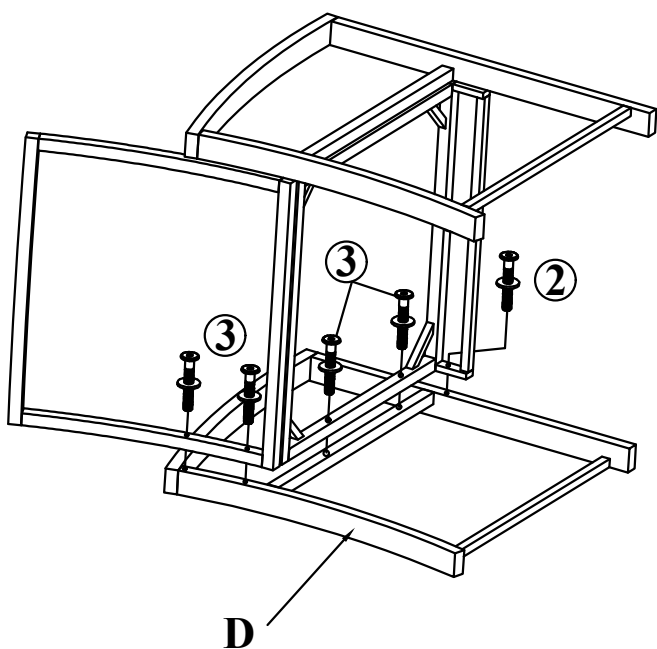
### STEP 2

Connect part from Step 1 & Right frame (E) with Bolt (2) & Bolt (3)



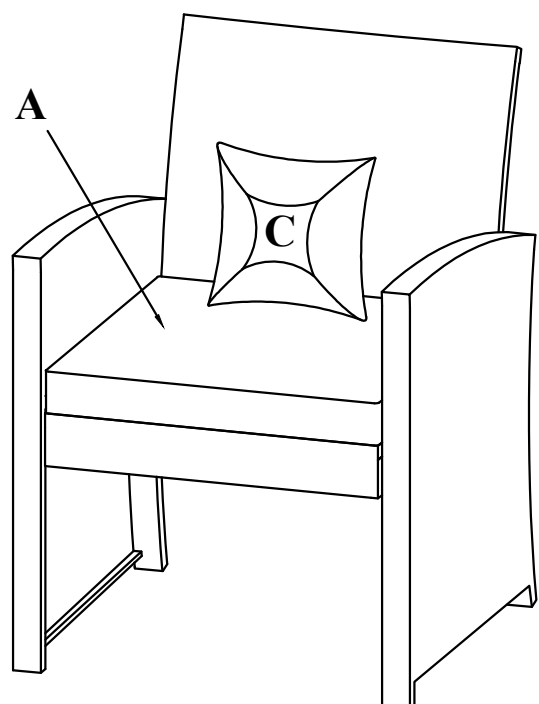
### STEP 3

Connect part from Step 2 & Left frame (D) with Bolt (2) & Bolt (3)



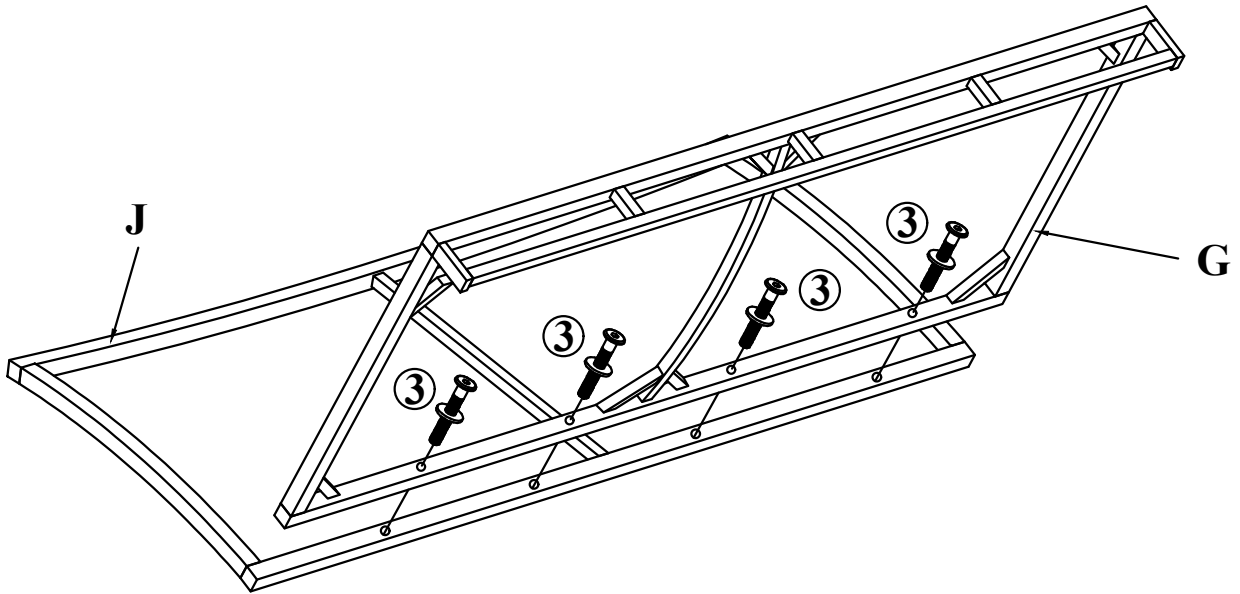
### STEP 4

Put on Chair cushion (A), Pillow (C) to complete Chair



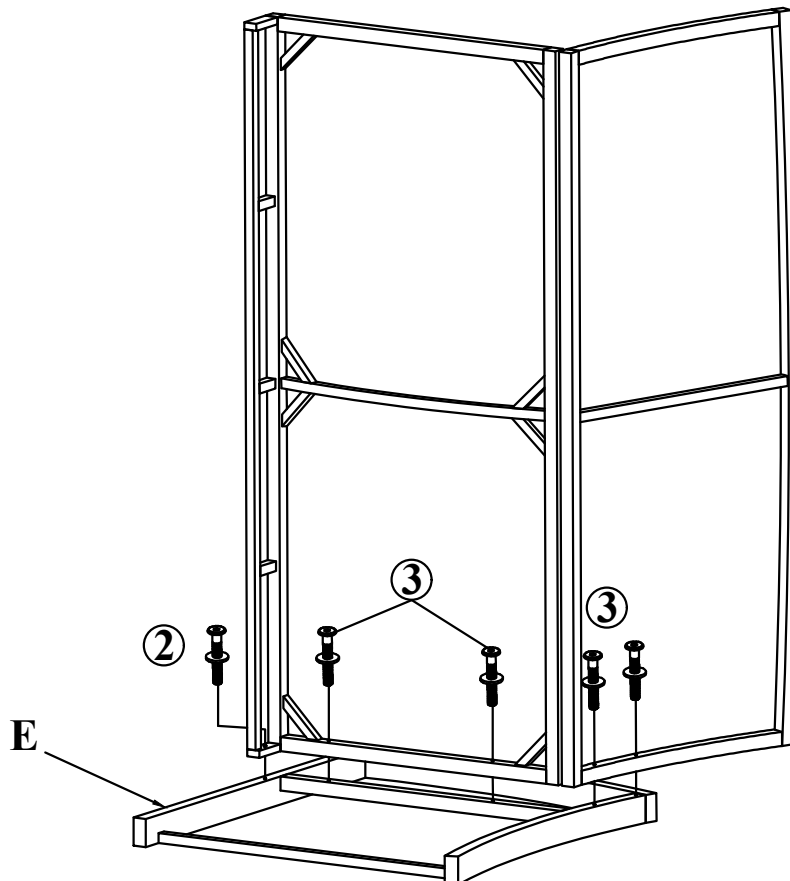
## STEP 5 (Bench assembly)

Connect Bench back frame (J) & Bench seat frame (G) with Bolt (3)



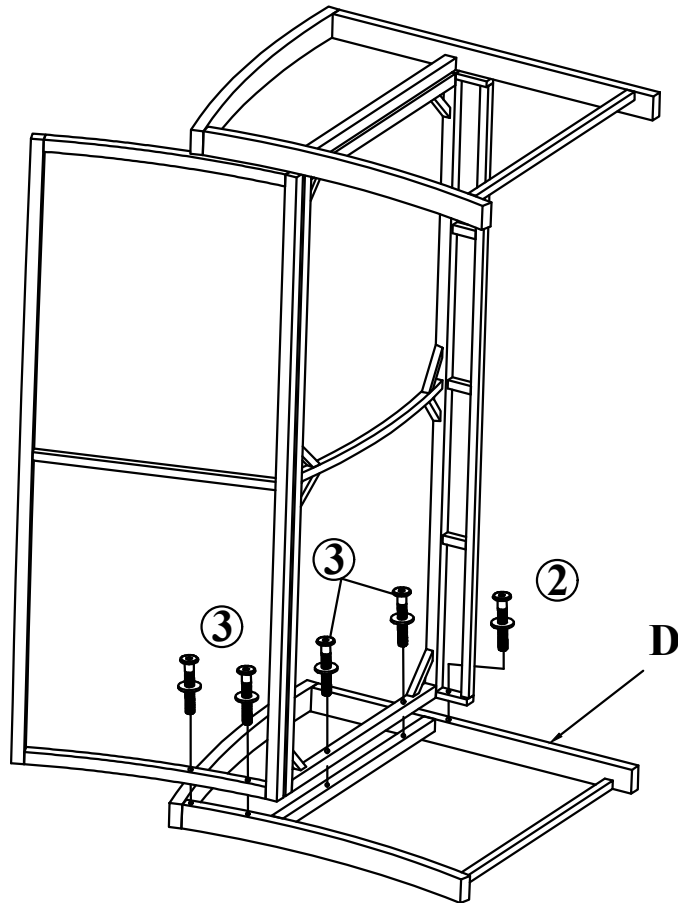
## STEP 6

Connect part from Step 5 & Right frame (E) with Bolt (2) & Bolt (3)



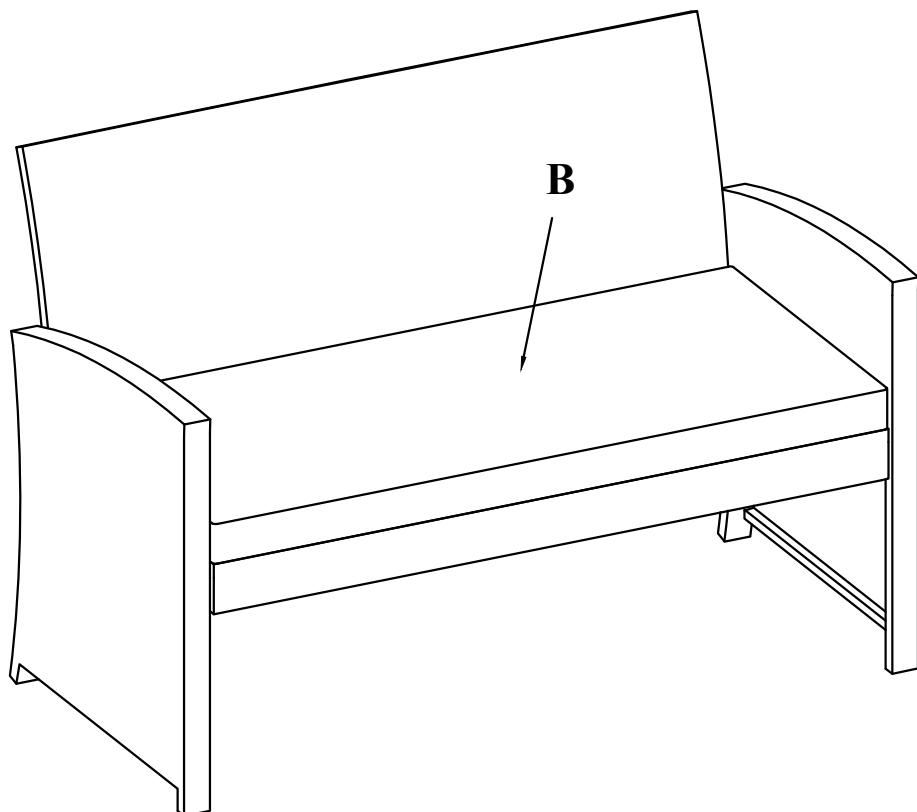
## STEP 7

Connect part from Step 6 & Left frame (D) with Bolt (2) & Bolt (3)



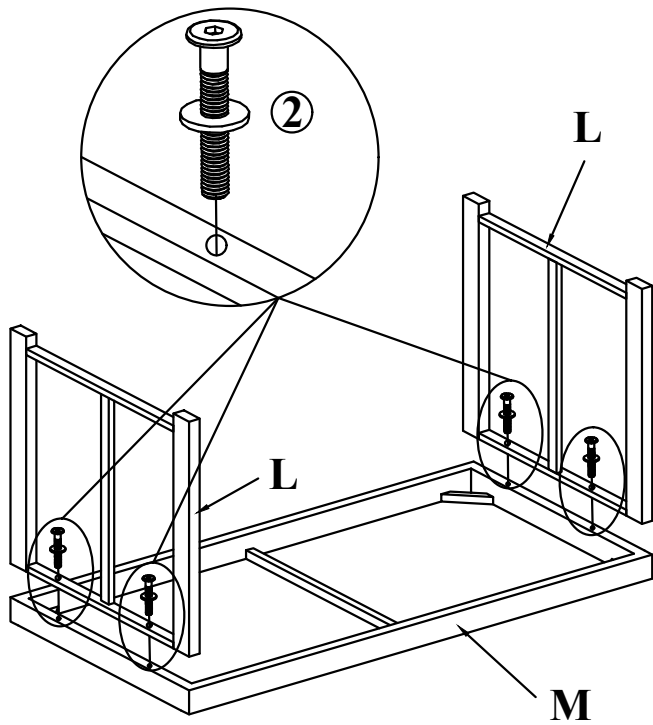
## STEP 8

Put on Bench cushion (B) to complete Bench



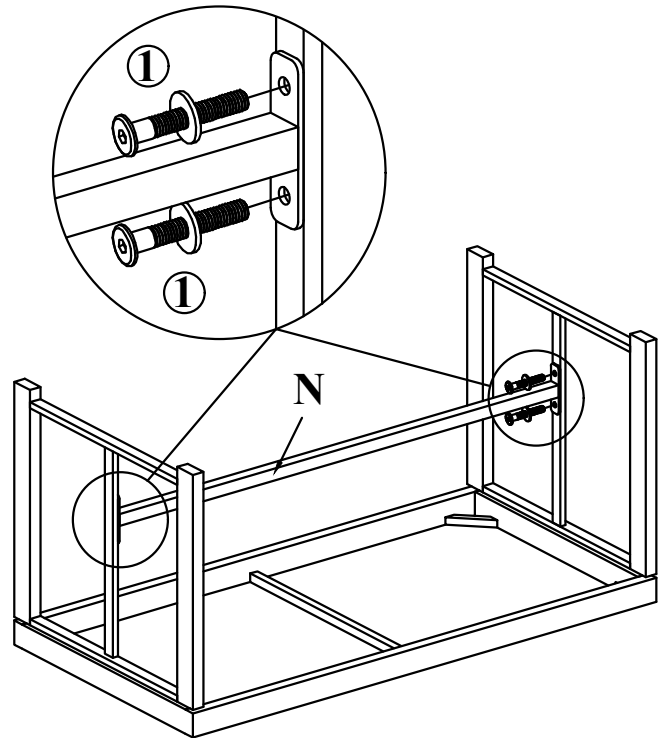
### STEP 9 (Table assembly)

Connect Leg table (L) & Table top frame (M) with Bolt (2)



### STEP 10

Connect part from Step 10 & Bracing table (N) with Bolt (1)



### STEP 11

Put on Table glass (O) to complete Table

