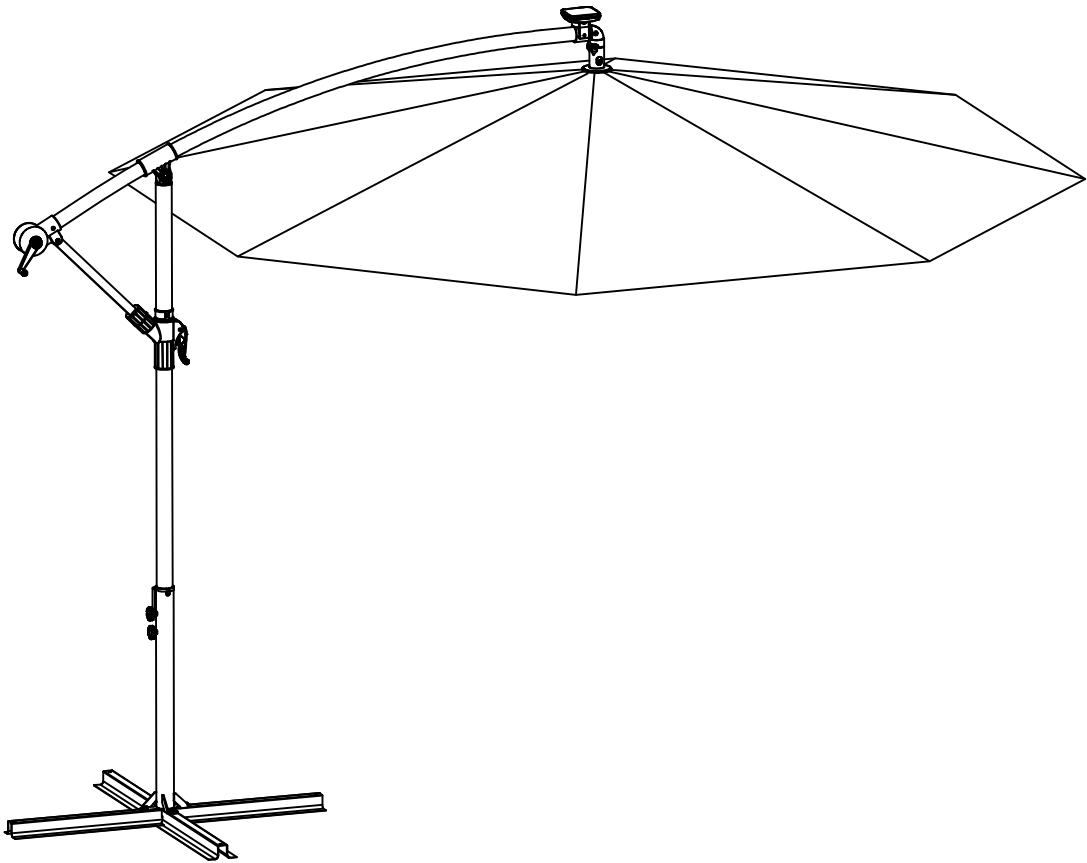


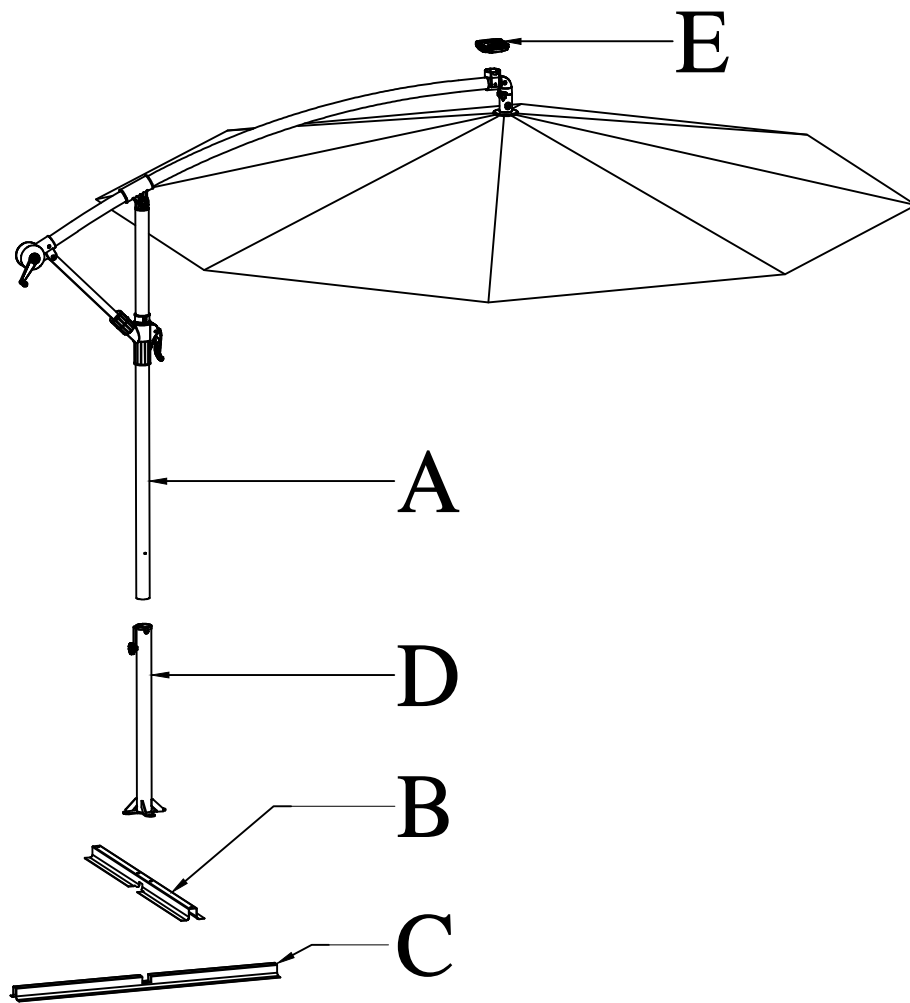
# ASSEMBLY INSTRUCTION

---

## PATIO UMBRELLA WITH LED LIGHTS



WF212530



## Notice:

Umbrella base weights are not included. Do not use this umbrella without umbrella base weights

Place umbrella on a stable and level surface

Umbrella is suitable for rain showers and light wind

Do not use umbrella in inclement weather, such as snow, heavy rain, thunderstorms, or strong wind

Firmly secure all bolts, screws, and knobs before use

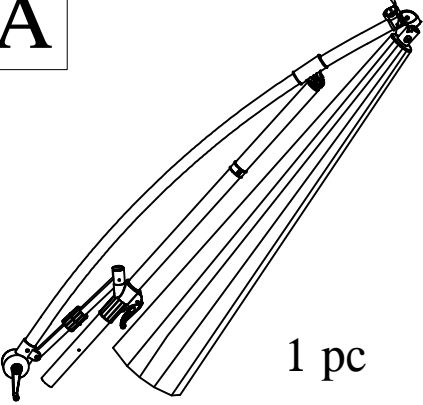
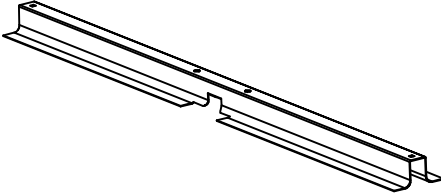
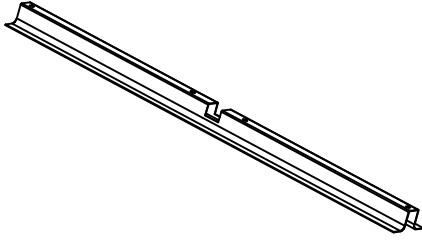
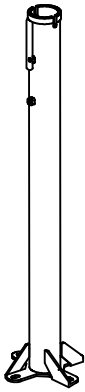
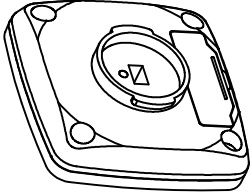
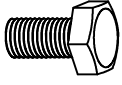

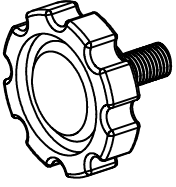
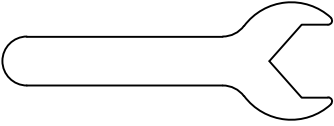
Reconfirm that all bolts, screws and knobs are secure every 90 days

Fasten screws loosely during initial assembly. Do not firmly tighten the screws until the item is completely assembled

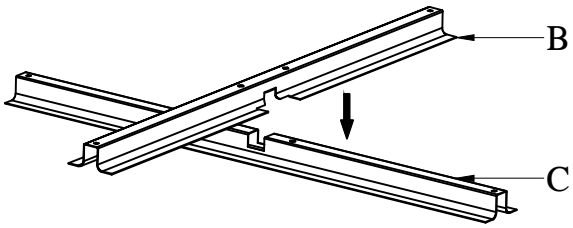
Be aware that some parts are heavy and have sharp edges.

Do not use this item in a way inconsistent with the instructions as this could void the product warranty.

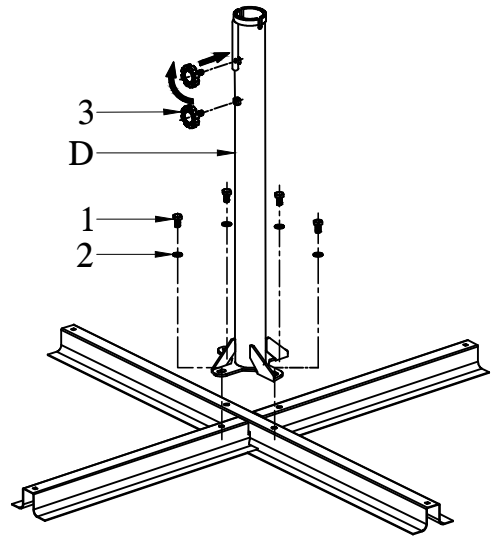
# Part list & Hardware

<b>A</b>  1 pc	<b>B</b>  1 pc	<b>C</b>  1 pc
<b>D</b>  1 pc	<b>E</b>  1 pcs	<b>1</b>  4 pcs
<b>2</b>  4 pc	<b>3</b>  2 pc	<b>4</b>  1 pc

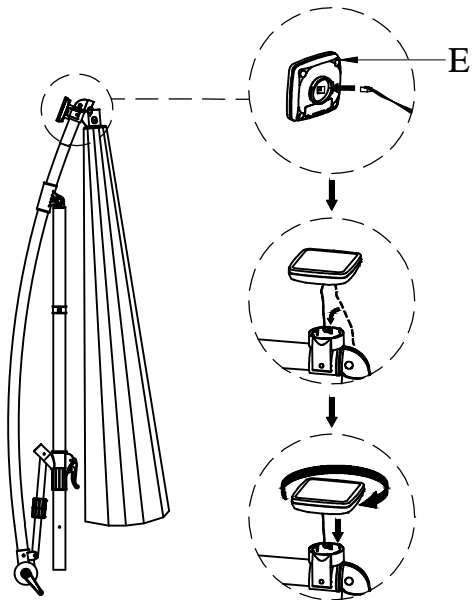
Step 1.



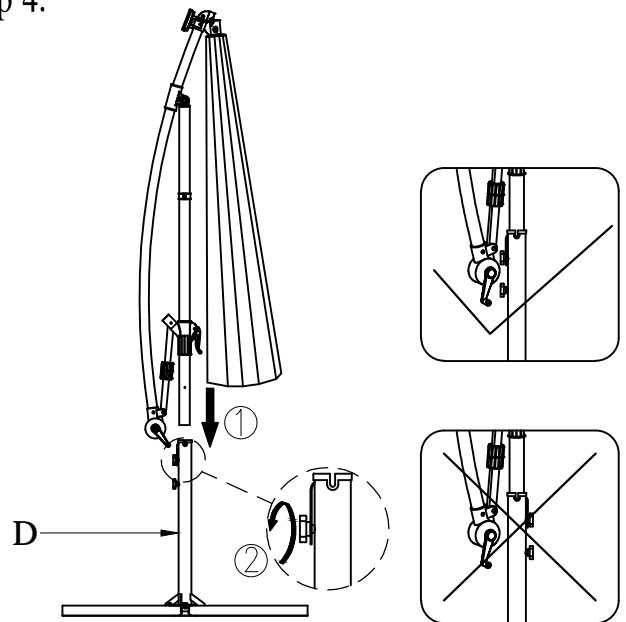
Step 2.



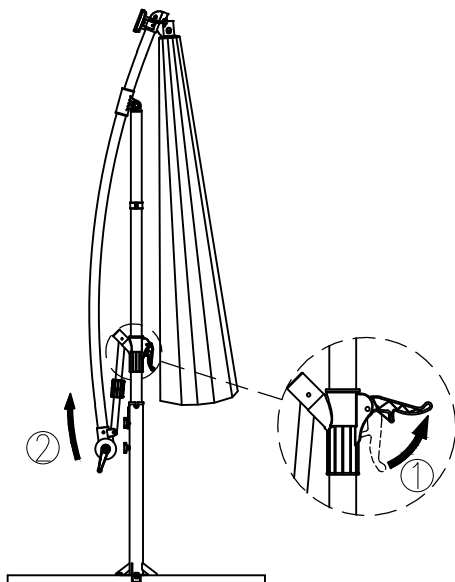
Step 3.



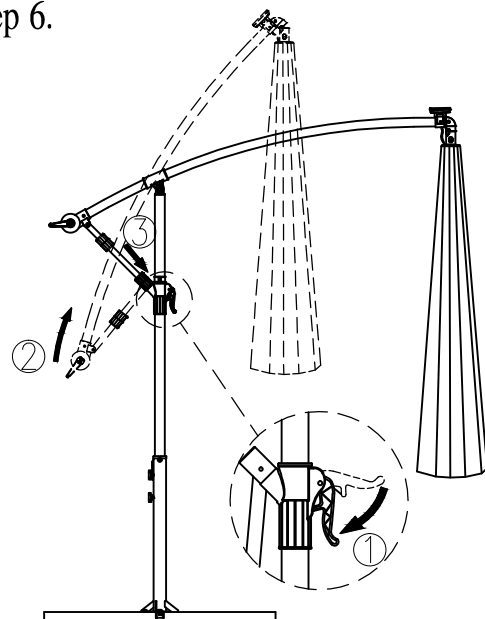
Step 4.



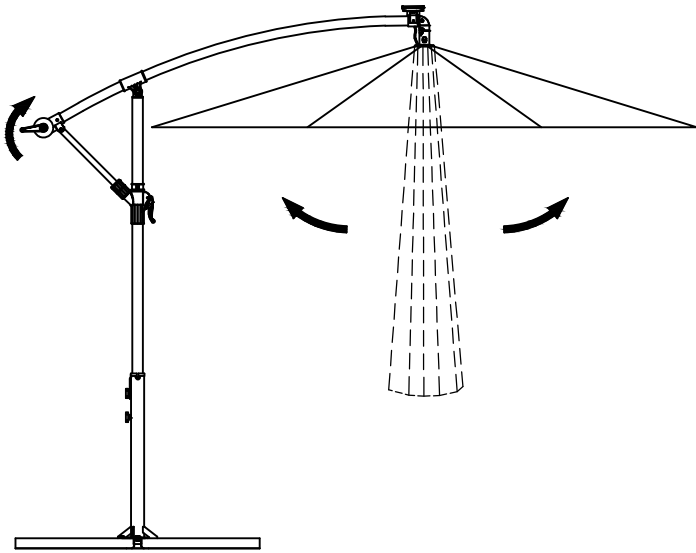
Step 5.



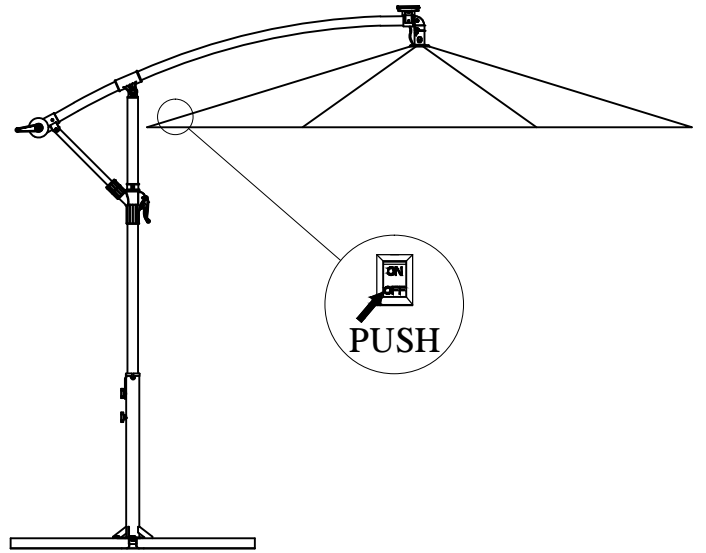
Step 6.



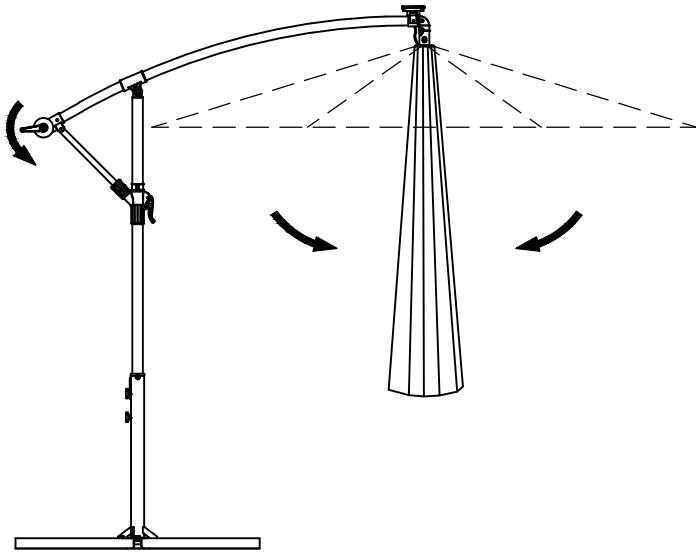
Step 7.



Step 8.



Step 9.



Step 10.

