

ASSEMBLY INSTRUCTION

L SHAPE SOFA SET

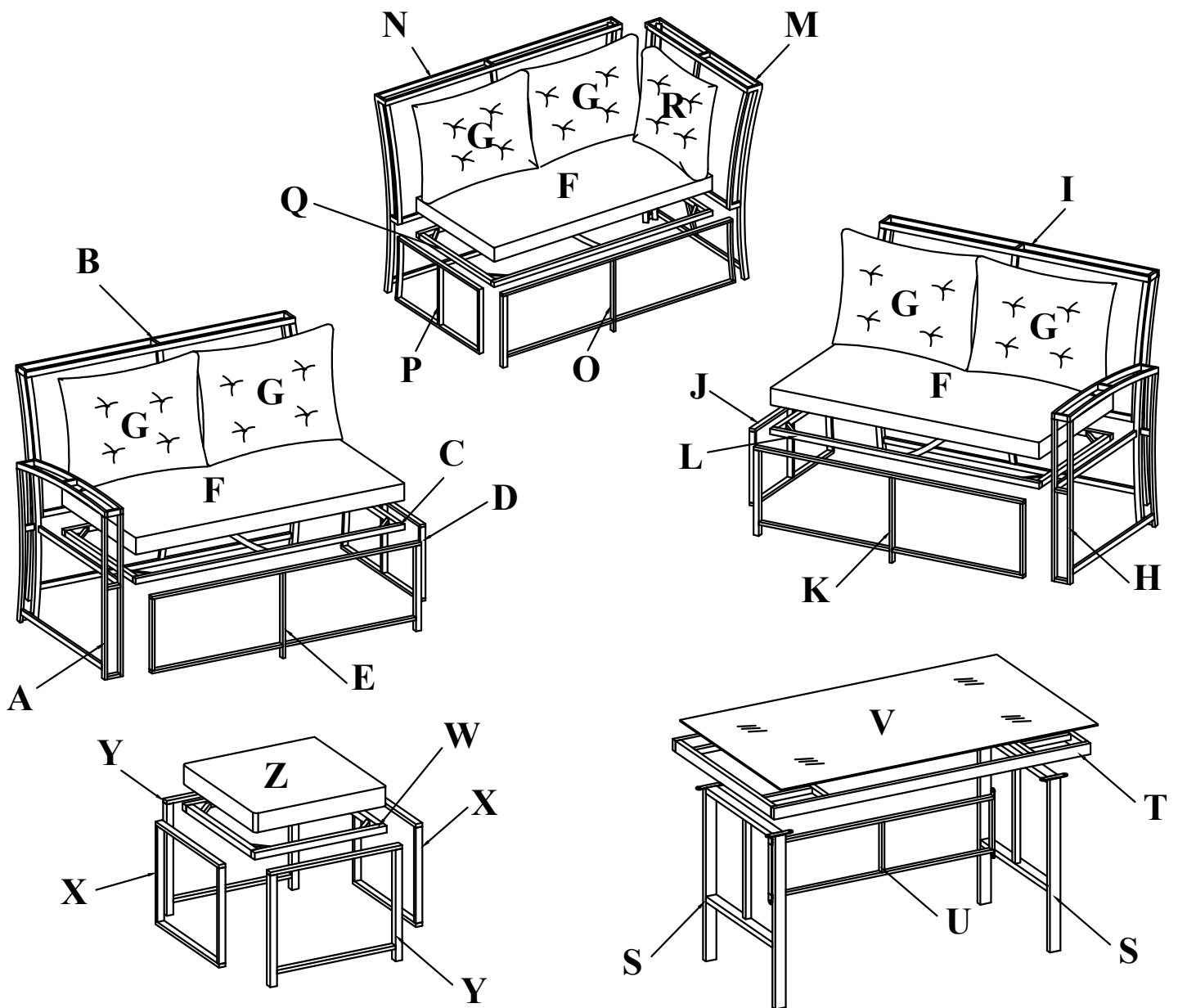


WF191807

WF191808

WF191809

WF191810

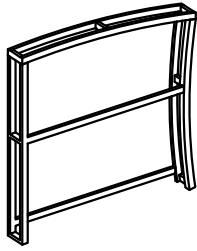


Notice:

1. **50% Tighten before fixing all screws, Allen wrench is recommended instead of an electric drill.**
2. **Place the item on a flat ground to adjust and make sure it remains stable.**
3. **Tighten up all screws with tools gradually.**
4. **If the screws are not aligned with holes during assembly, please loosen all the other screws to 50% and continue the assembly process.**
5. **If the item is not stable, please loosen all the screws, adjust it on a flat ground and tighten up all screws again.**
6. **Note: If one or some screws are fully tightened during assembly, chances are the others will not be aligned with holes. In addition, all the holes are designed to be relatively larger to provide more space for the adjustment of the screws.**

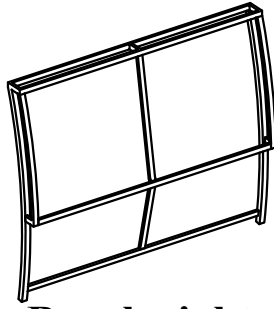
Part list

A



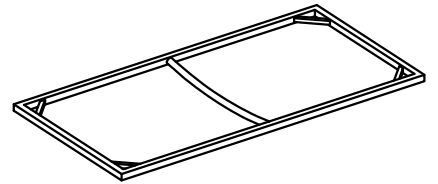
Bench right frame (1 pc)

B



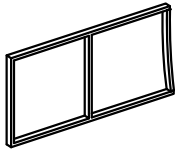
Bench right back frame (1 pc)

C



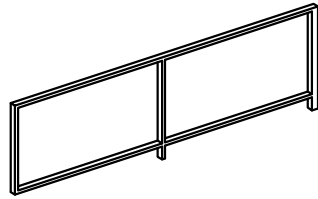
Bench right seat frame (1 pc)

D



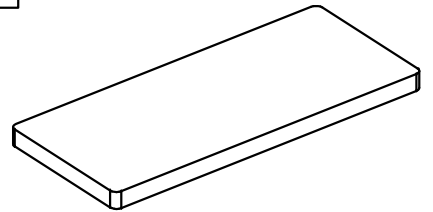
Bench right side frame (1 pc)

E



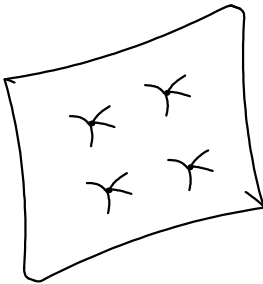
Bench right front frame (1 pc)

F



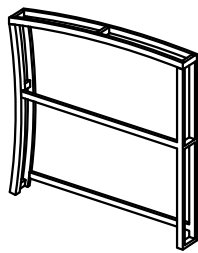
Bench/Corner seat cushion (3 pcs)

G



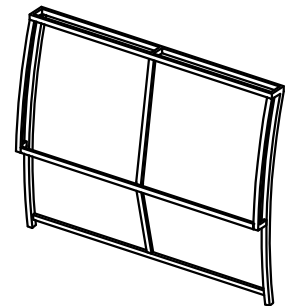
Pillow long (6 pcs)

H



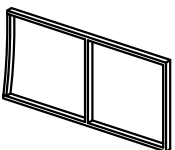
Bench left frame (1 pc)

I



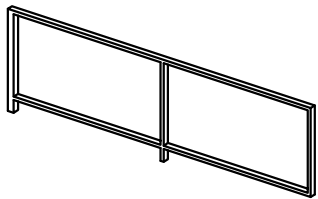
Bench left back frame (1 pc)

J



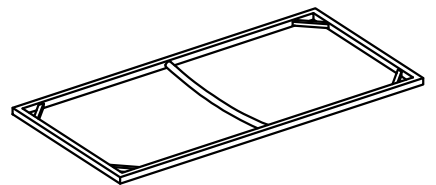
Bench left side frame (1 pc)

K



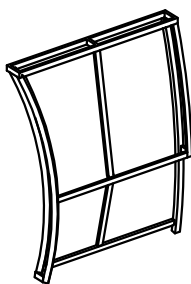
Bench left front frame (1 pc)

L



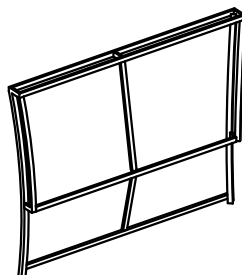
Bench left seat frame (1 pc)

M



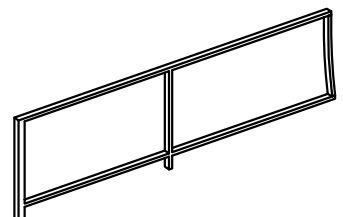
Corner short back frame (1 pc)

N



Corner long back frame (1 pc)

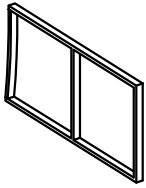
O



Corner front frame (1 pc)

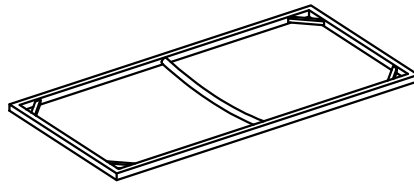
Part list

P



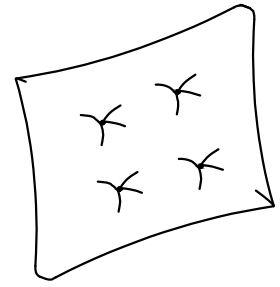
**Corner
side frame (1 pc)**

Q



**Corner
seat frame (1 pc)**

R



Pillow short (1 pc)

S

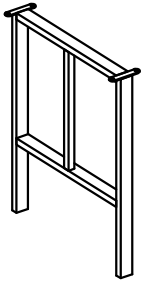


Table leg (2 pcs)

T

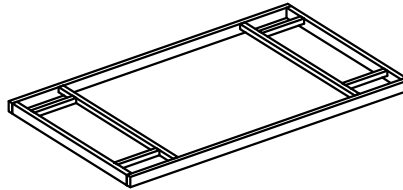
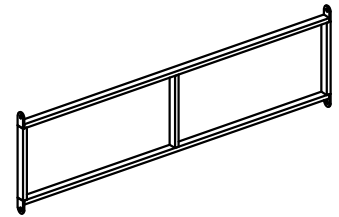


Table top frame (1 pc)

U



Bracing table (1 pc)

V

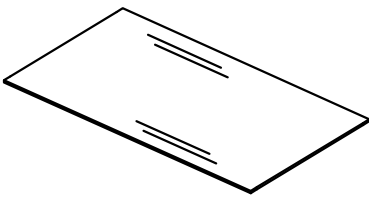
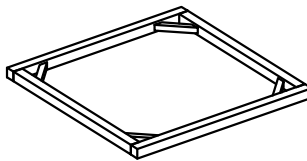


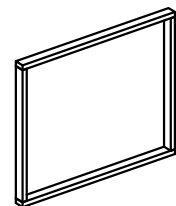
Table glass (1 pc)

W



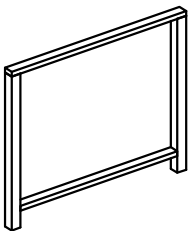
Stool seat frame (2 pcs)

X



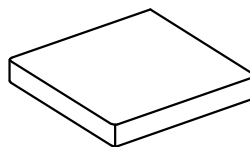
Stool side frame (4 pcs)

Y



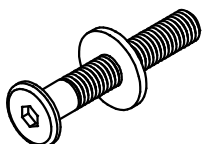
Stool front frame (4 pcs)

Z



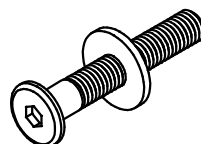
Stool seat cushion (2 pcs)

1



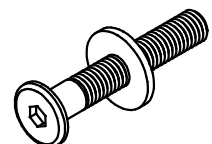
Bolt M6 x 55 mm (18 pcs)

2



Bolt M6 x 45 mm (2 pcs)

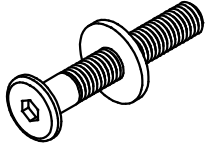
3



Bolt M6 x 30 mm (46 pcs)

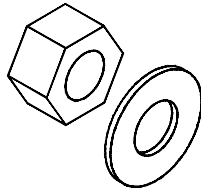
Part list

4



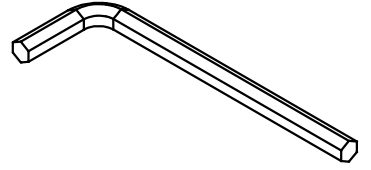
Bolt M6 x 20 mm (12 pcs)

5



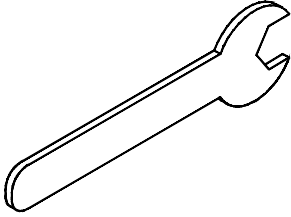
Nut M6 (20 pcs)

6



Allen key M4 (1 pc)

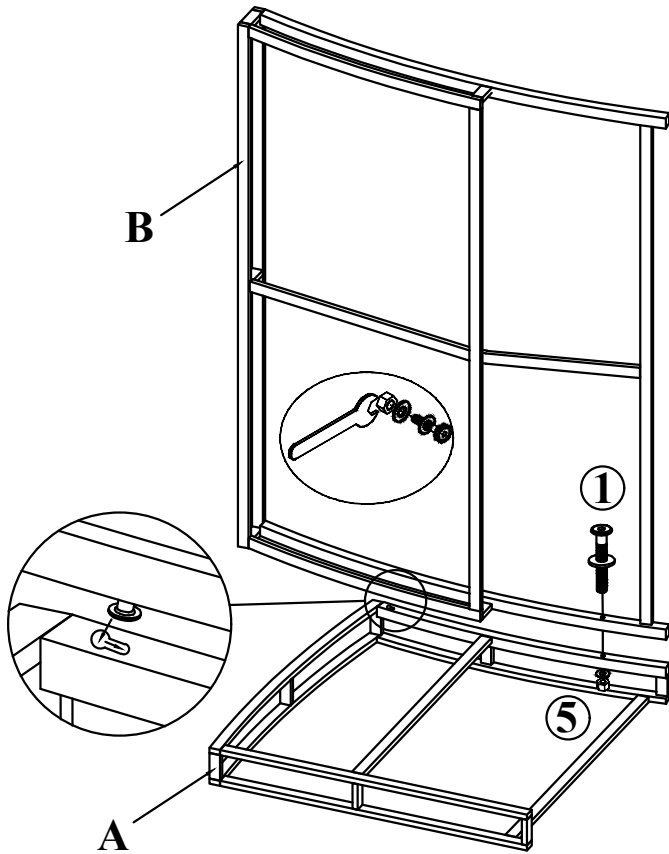
7



Spanner (1 pc)

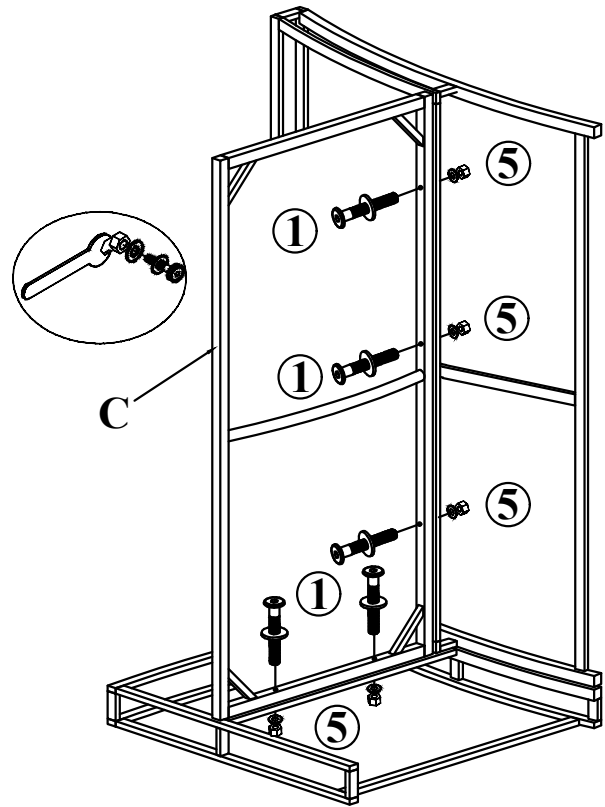
STEP 1 (Bench right assembly)

Connect Bench Right Back Frame (B) & Bench Right Frame (A) with Bolt (1), Nut (5)



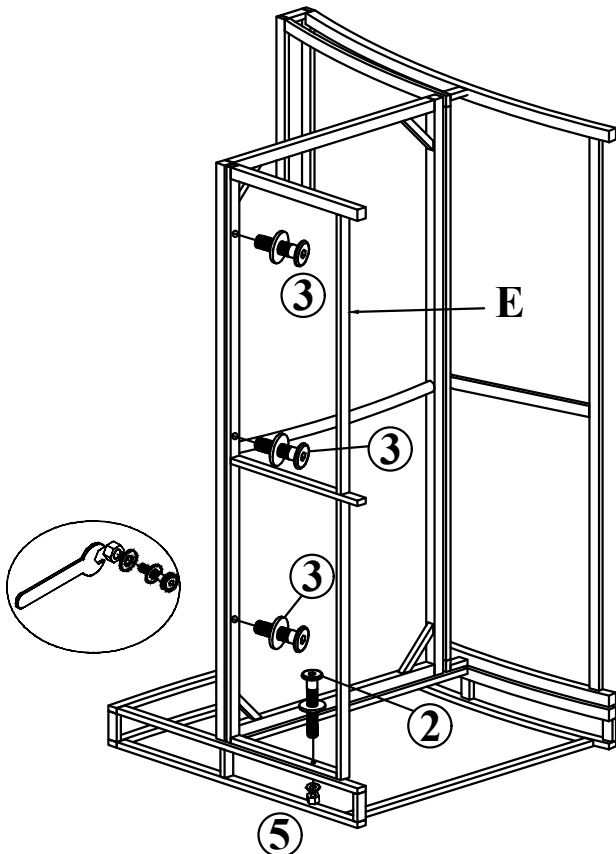
STEP 2

Connect part from Step 1 & Bench Right Seat Frame (C) with Bolt (1), Nut (5)



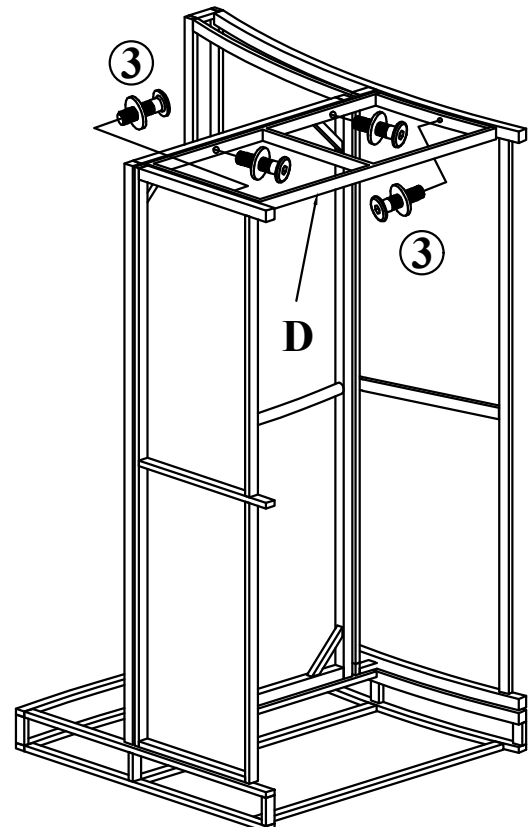
STEP 3

Connect part from Step 2 & Bench Right Front Frame (E) with Bolt (2), Bolt (3), Nut (5)



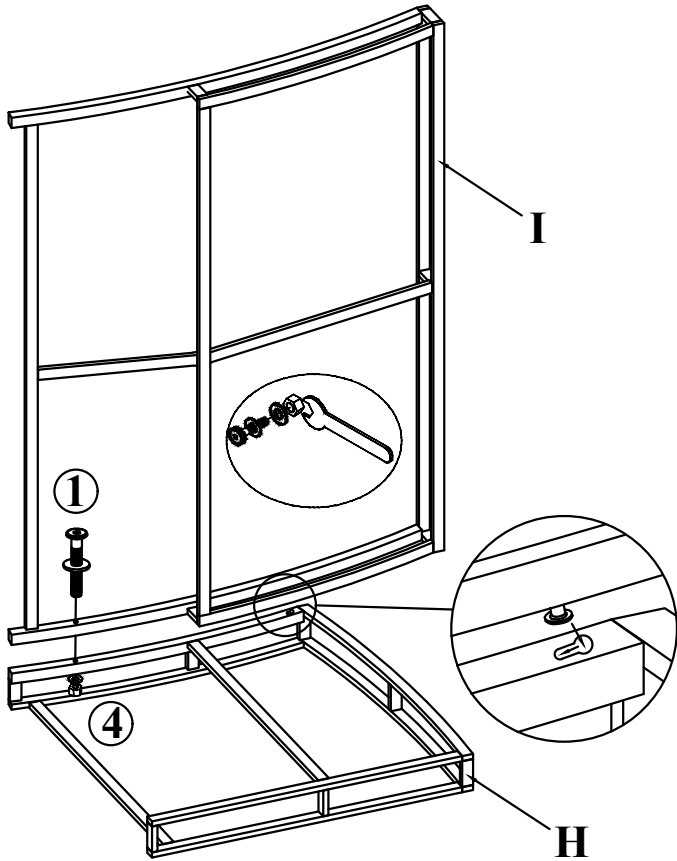
STEP 4

Connect part from Step 3 & Bench Right Side Frame (D) with Bolt (3)



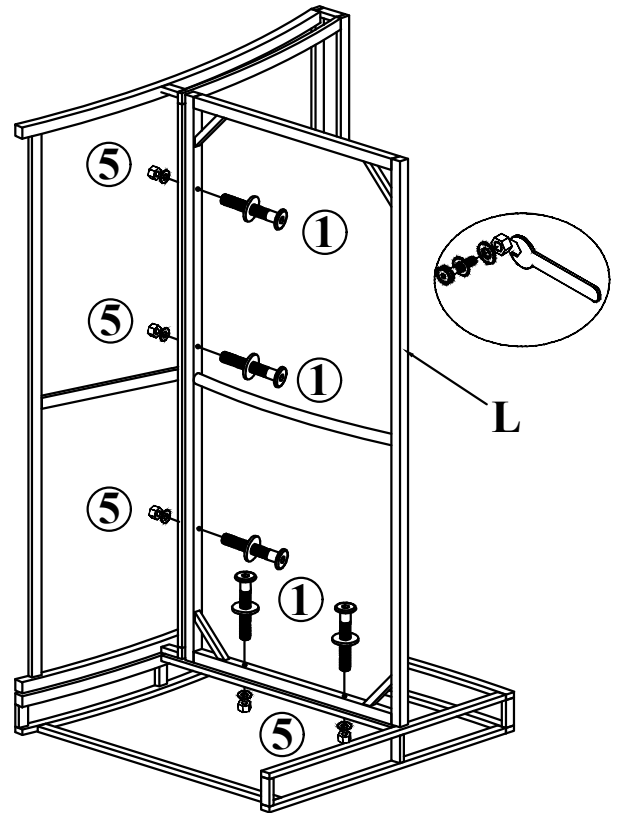
STEP 5 (Bench left assembly)

Connect Bench Left Back Frame (I) & Bench Left Frame (H) with Bolt (1), Nut (5)



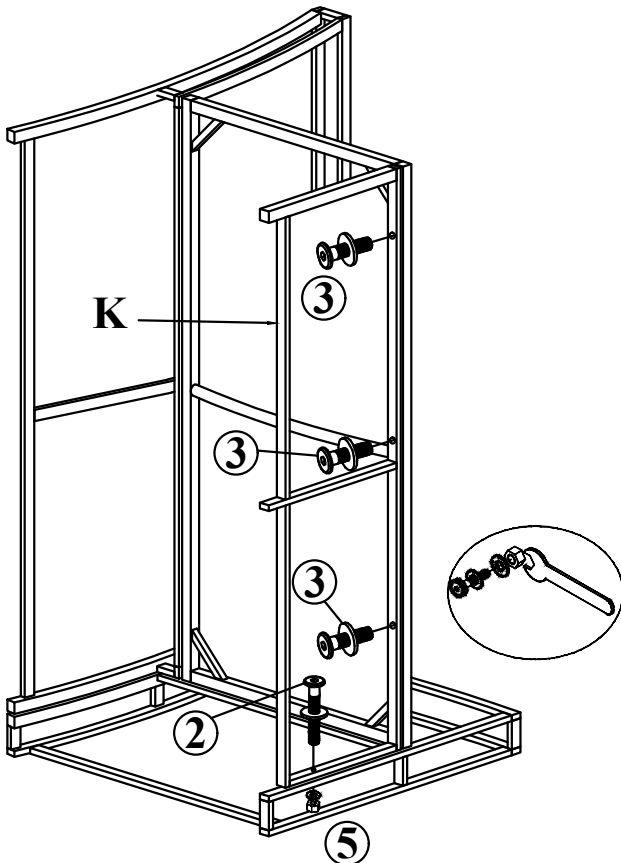
STEP 6

Connect part from Step 5 & Bench Left Seat Frame (L) with Bolt (1), Nut (5)



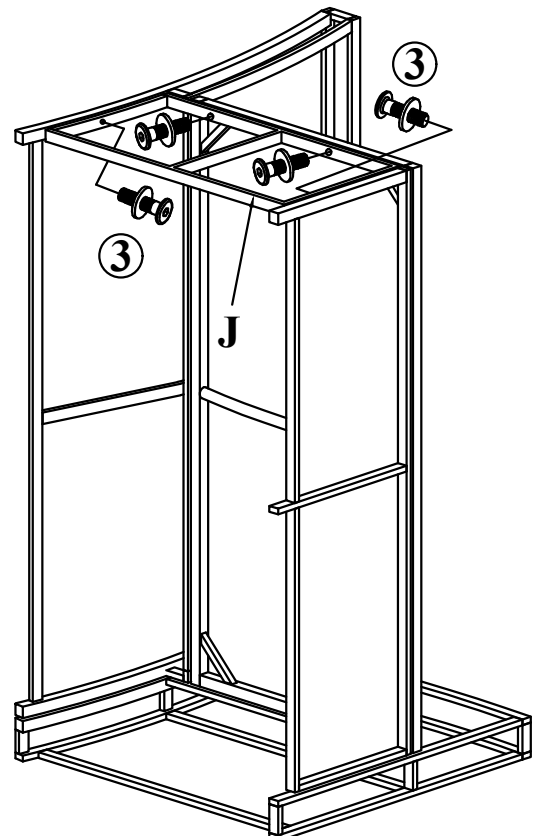
STEP 7

Connect part from Step 6 & Bench Left Front Frame (K) with Bolt (2), Bolt (3), Nut (5)



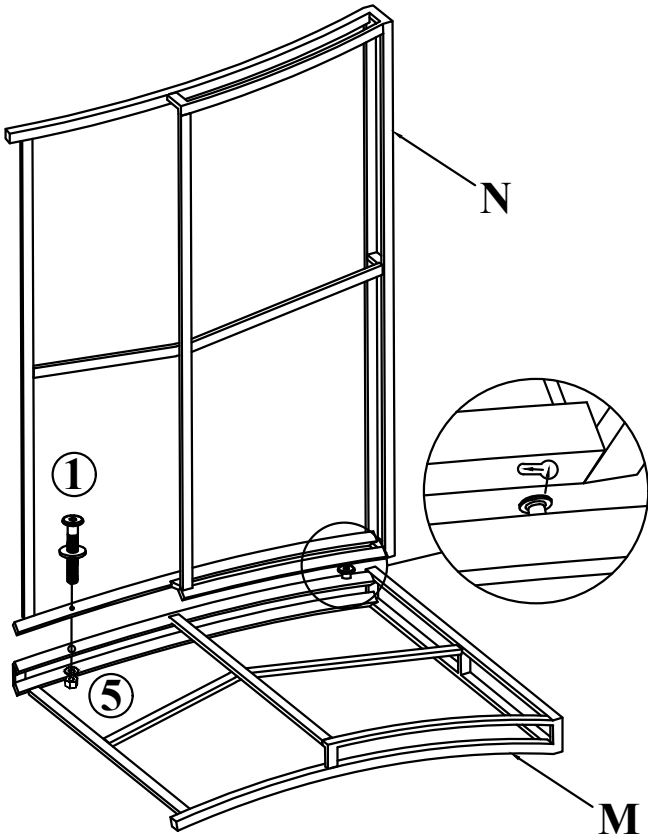
STEP 8

Connect part from Step 7 & Bench Left Side Frame (J) with Bolt (3)



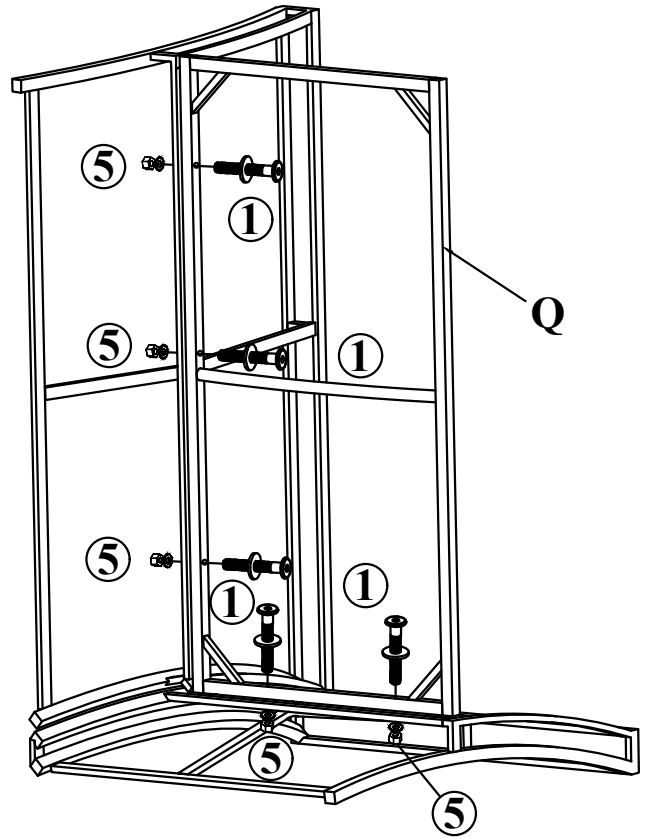
STEP 9 (Corner assembly)

Connect Corner Long Back Frame (N) & Corner Short Back Frame (M) with Bolt (1), Nut (5)



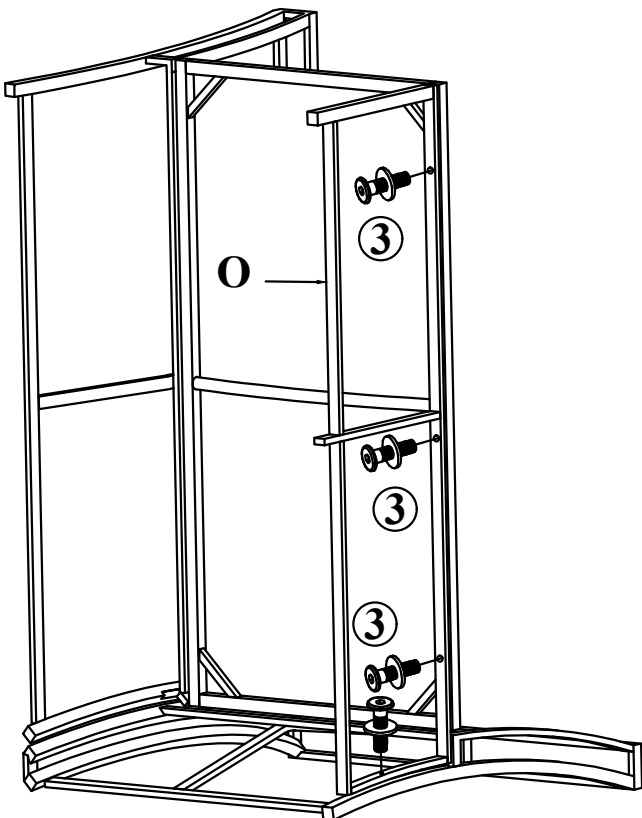
STEP 10

Connect part from Step 9 & Corner Seat Frame (Q) with Bolt (1), Nut (5)



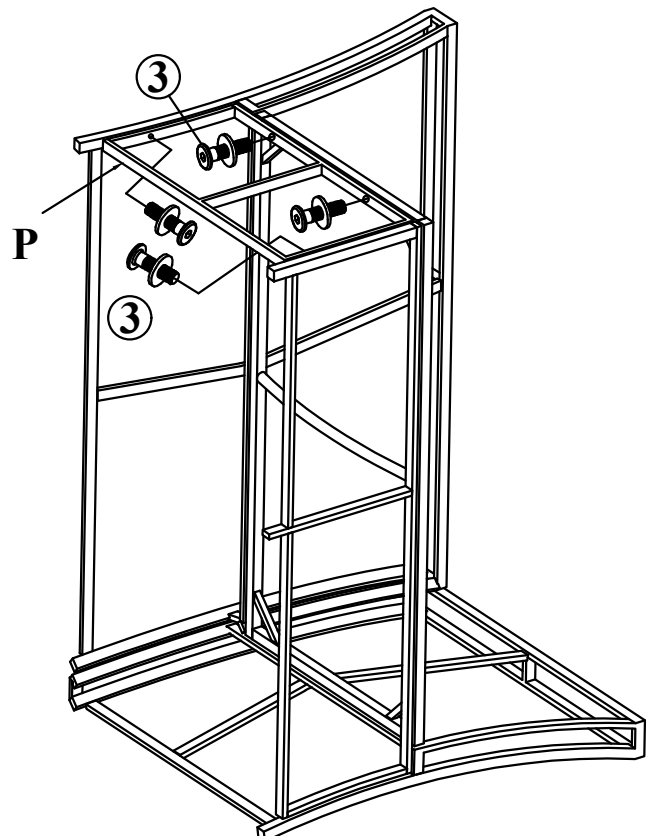
STEP 11

Connect part from Step 10 & Corner Front Frame (O) with Bolt (3)



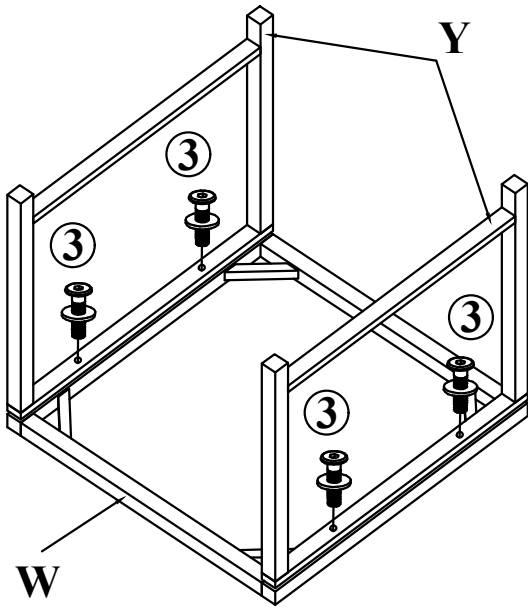
STEP 12

Connect part from Step 11 & Corner Side Frame (P) with Bolt (3)



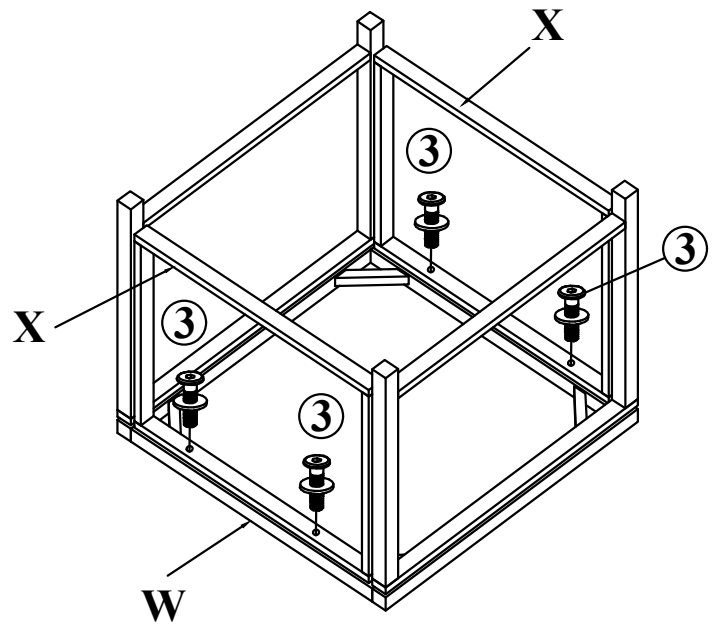
STEP 13 (Stool assembly)

Connect Stool Front Frame (Y) & Stool Seat Frame (W) with Bolt (3)



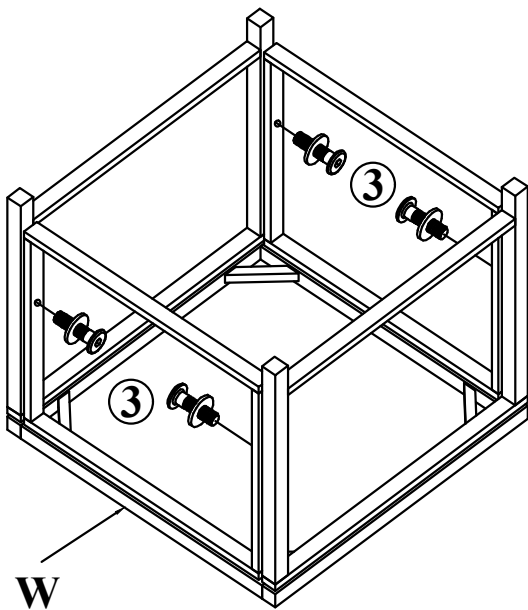
STEP 14

Connect part from Step 13 & Stool Side Frame (X) with Bolt (3)



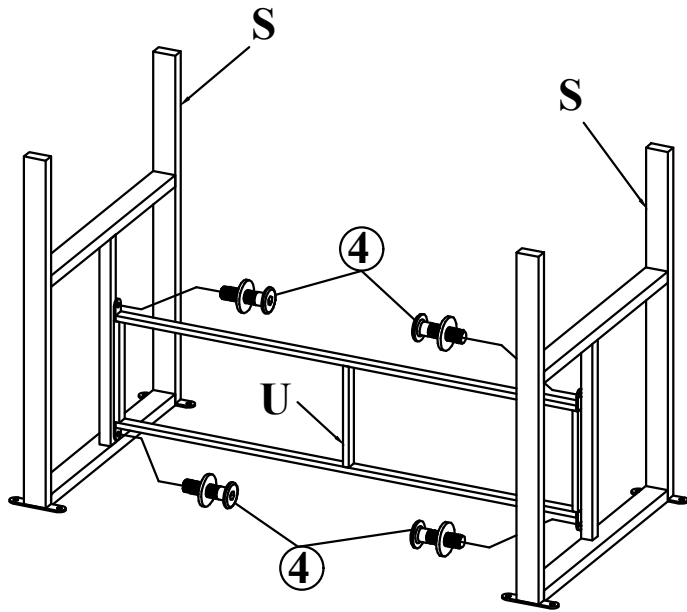
STEP 15

Connect part from Step 14 & Stool Side Frame (X) with Bolt (3)



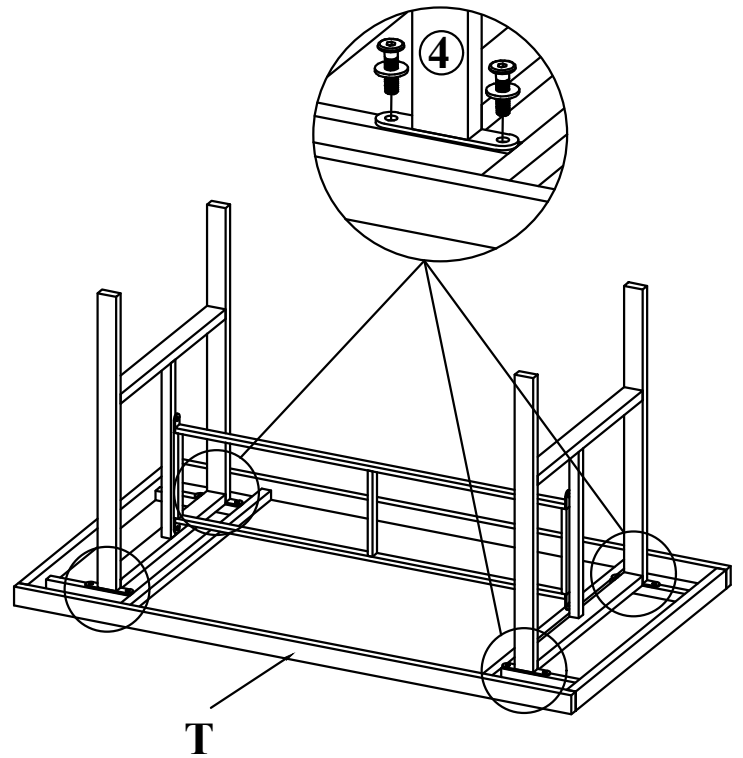
STEP 16 (Table assembly)

Connect Table Leg (S) & Bracing Table (U) with Bolt (4)



STEP 17

Connect part from Step 16 & Table Top Frame (T) with Bolt (4)



STEP 18

Put on Bench/Corner Seat Cushion (F), Pillow (G), Pillow (R), Stool Seat Cushion (Z) & Glass Table (V) to complete sofa

