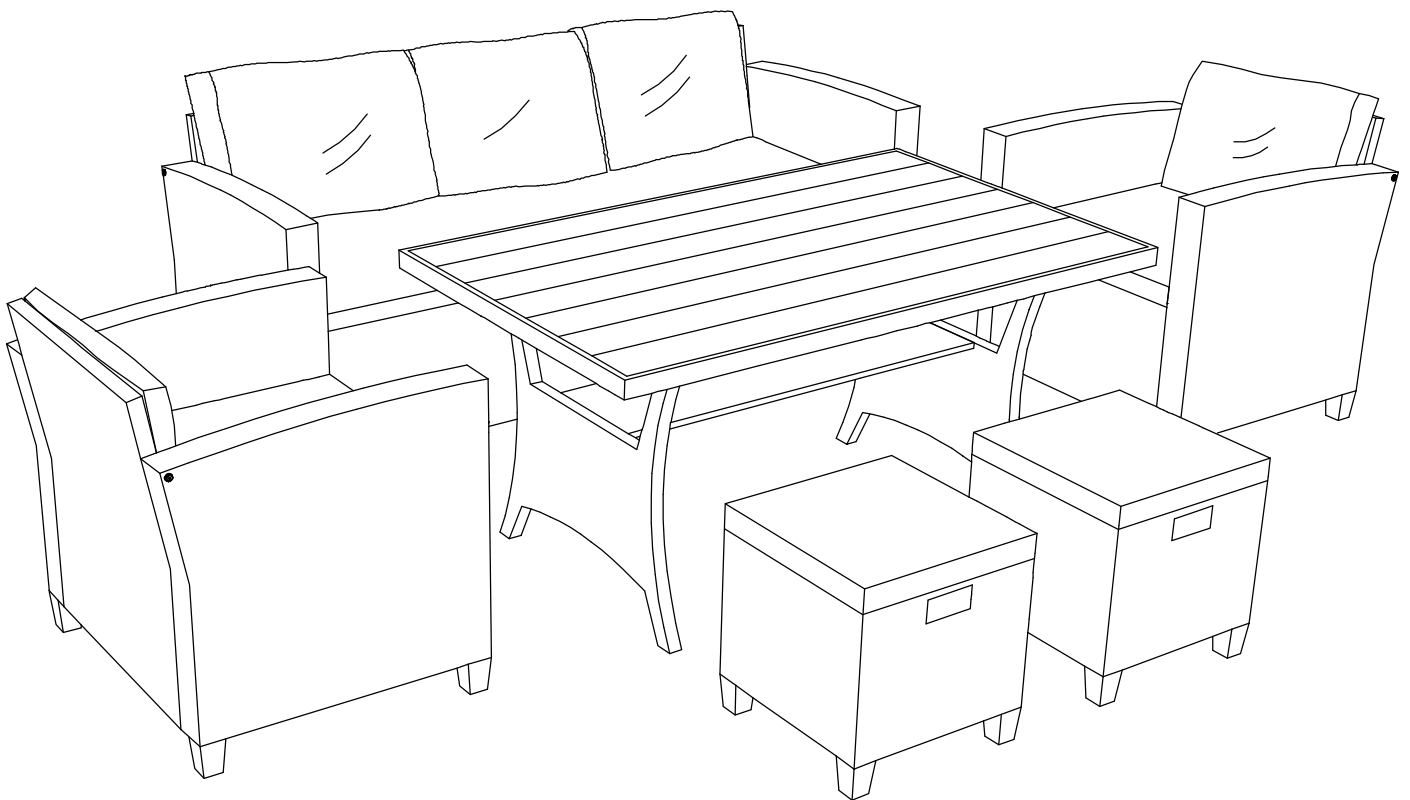


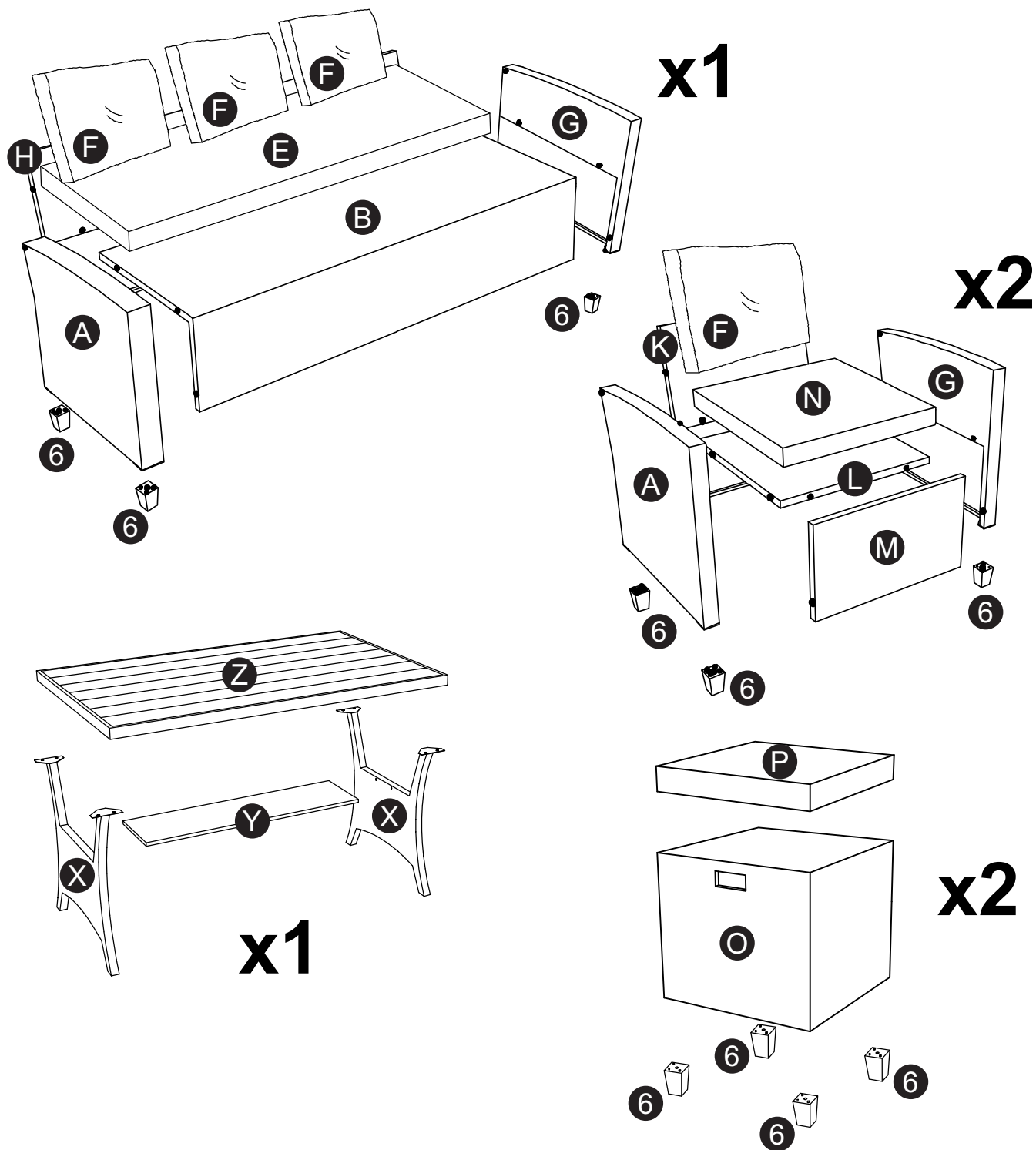
ASSEMBLY INSTRUCTION

6PCS RATTAN SOFA SET



WF193407; WF193408; WF193409

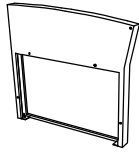
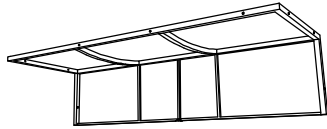
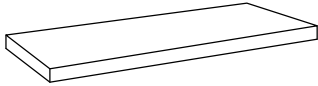

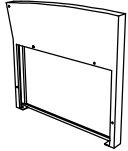
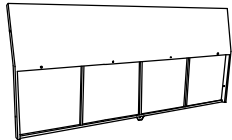
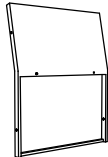


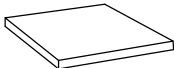
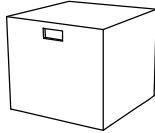
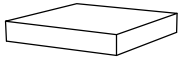

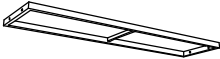
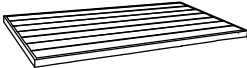
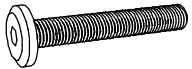

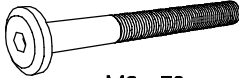
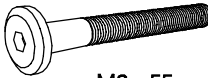

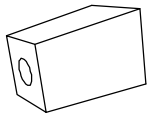

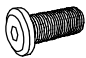

Exploded View



Notice:

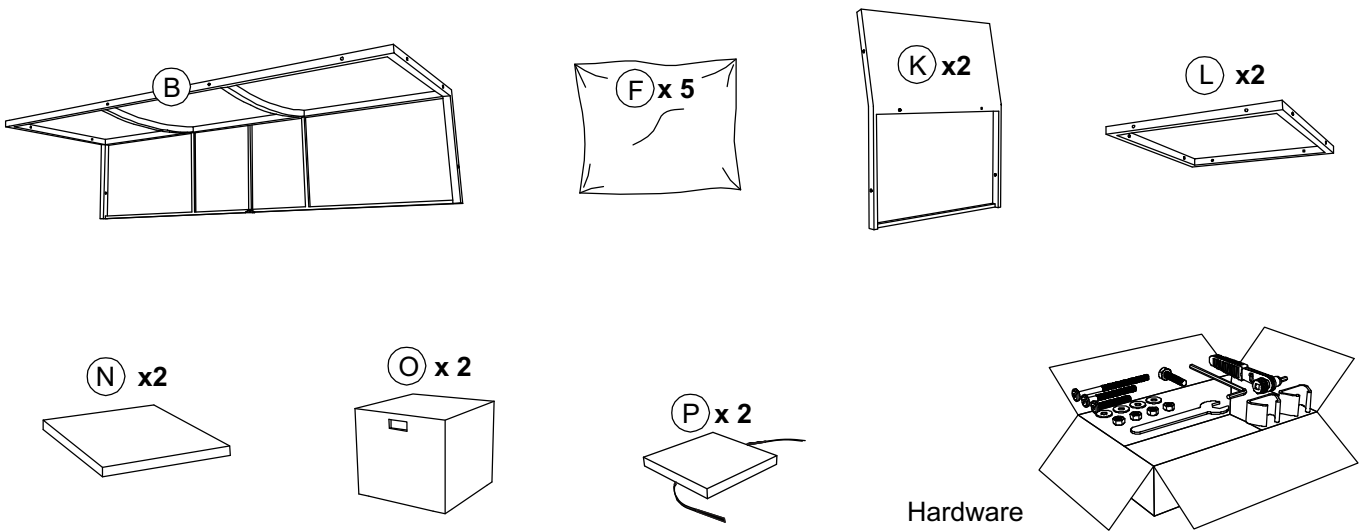
1. 50% Tighten before fixing all screws, Allen wrench is recommended instead of an electric drill.
2. Place the item on a flat ground to adjust and make sure it remains stable.
3. Tighten up all screws with tools gradually.
4. If the screws are not aligned with holes during assembly, please loosen all the other screws to 50% and continue the assembly process.
5. If the item is not stable, please loosen all the screws, adjust it on a flat ground and tighten up all screws again.
6. Note : If one or some screws are fully tightened during assembly, chances are the others will not be aligned with holes. In addition, all the holes are designed to be relatively larger to provide more space for the adjustment of the screws.

Part List & Hardware

<p>A</p>  <p>(3pcs)</p>	<p>B</p>  <p>(1pc)</p>	<p>E</p>  <p>(1pc)</p>	<p>F</p>  <p>(5pcs)</p>
<p>G</p>  <p>(3pcs)</p>	<p>H</p>  <p>(1pc)</p>	<p>K</p>  <p>(2pcs)</p>	<p>L</p>  <p>(2pcs)</p>
<p>M</p>  <p>(2pcs)</p>	<p>N</p>  <p>(2pcs)</p>	<p>O</p>  <p>(2pcs)</p>	<p>P</p>  <p>(2pcs)</p>
<p>X</p>  <p>(2pcs)</p>	<p>Y</p>  <p>(1pc)</p>	<p>Z</p>  <p>(1pc)</p>	<p>1</p>  <p>M6 x 40</p> <p>(24pcs)</p>
<p>2</p>  <p>M6 x 35</p> <p>(16pcs)</p>	<p>3</p>  <p>M6 x 70</p> <p>(6pcs)</p>	<p>4</p>  <p>M6 x 55</p> <p>(22pcs)</p>	<p>5</p>  <p>Ø6 x 14</p> <p>(46pcs)</p>
<p>6</p>  <p>(22pcs)</p>	<p>7</p>  <p>Allenkey 4x60</p> <p>(4pcs)</p>	<p>8</p>  <p>M8x20 mm</p> <p>(8pcs)</p>	<p>9</p>  <p>Ø8 x 16 mm</p> <p>(8pcs)</p>

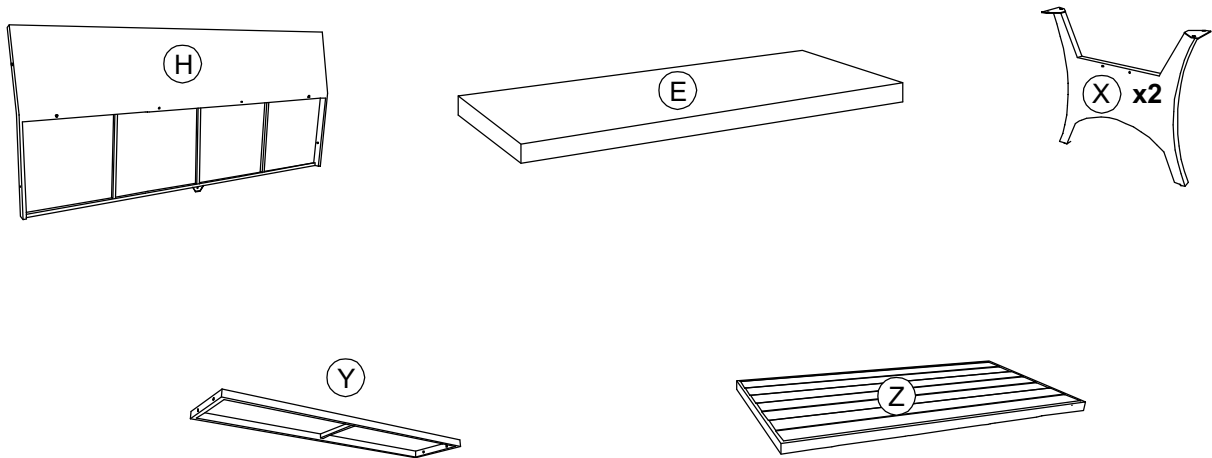
CARTON CONTENT:

WF193407:

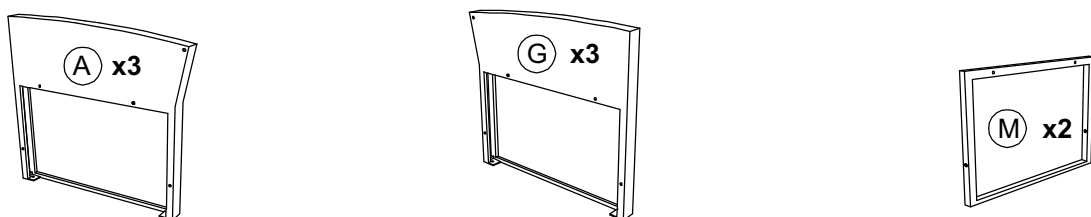


AI INCLUDED BOX-WF193407

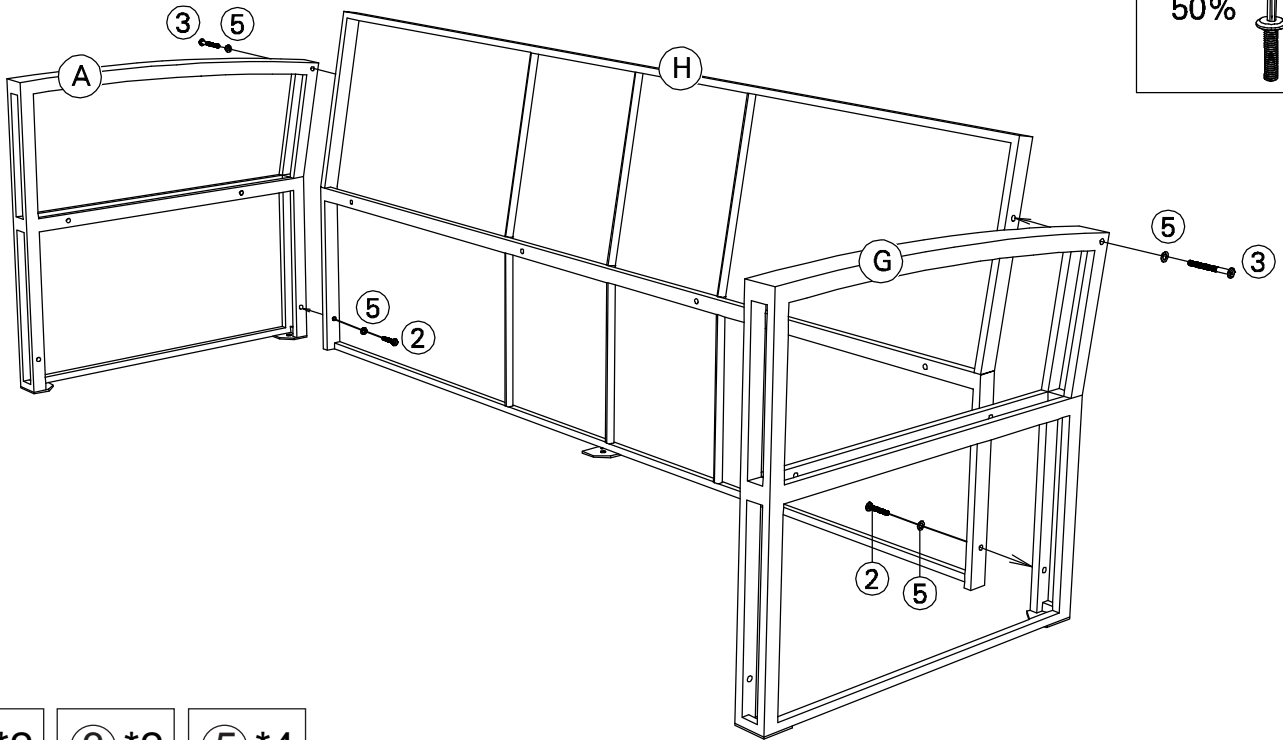
WF193408:



WF193409:



Step 1:

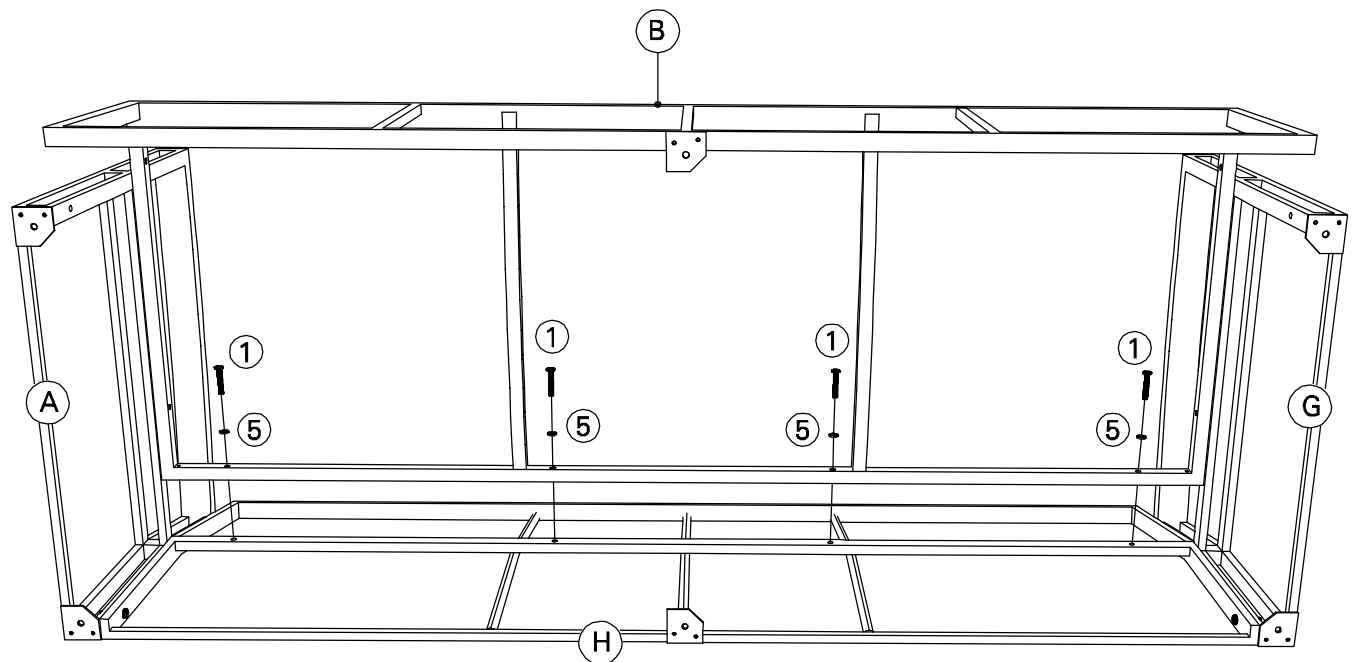


② * 2

③ * 2

⑤ * 4

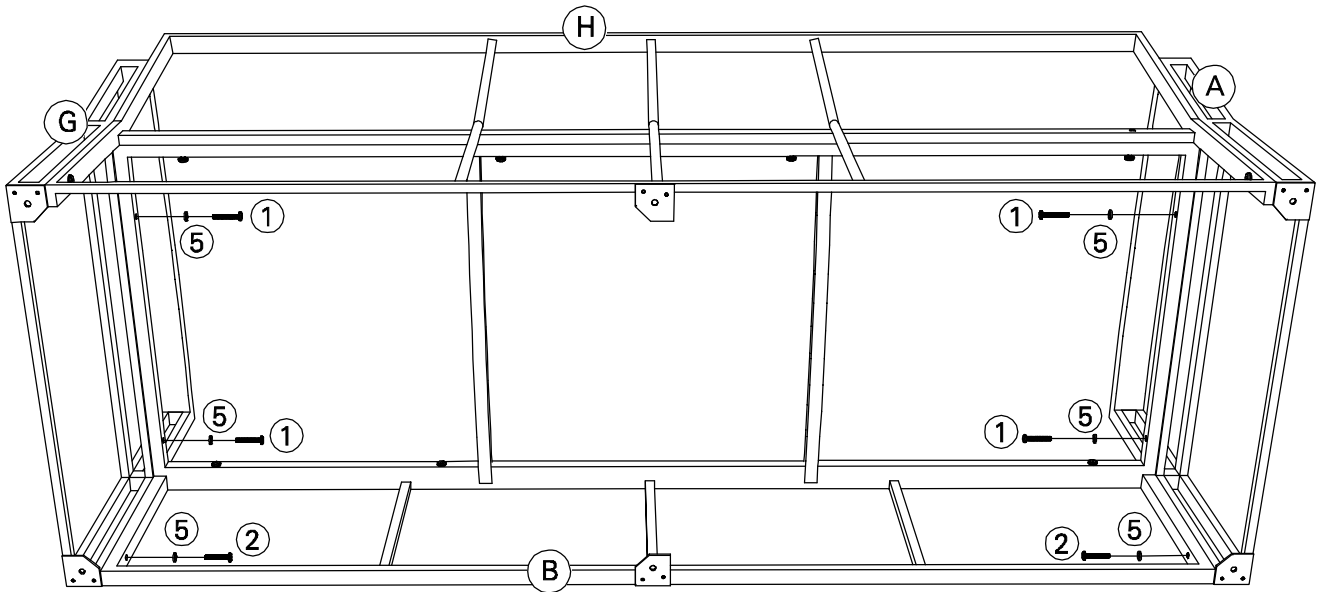
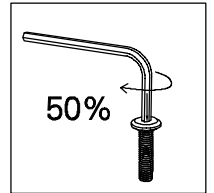
Step 2:



① * 4

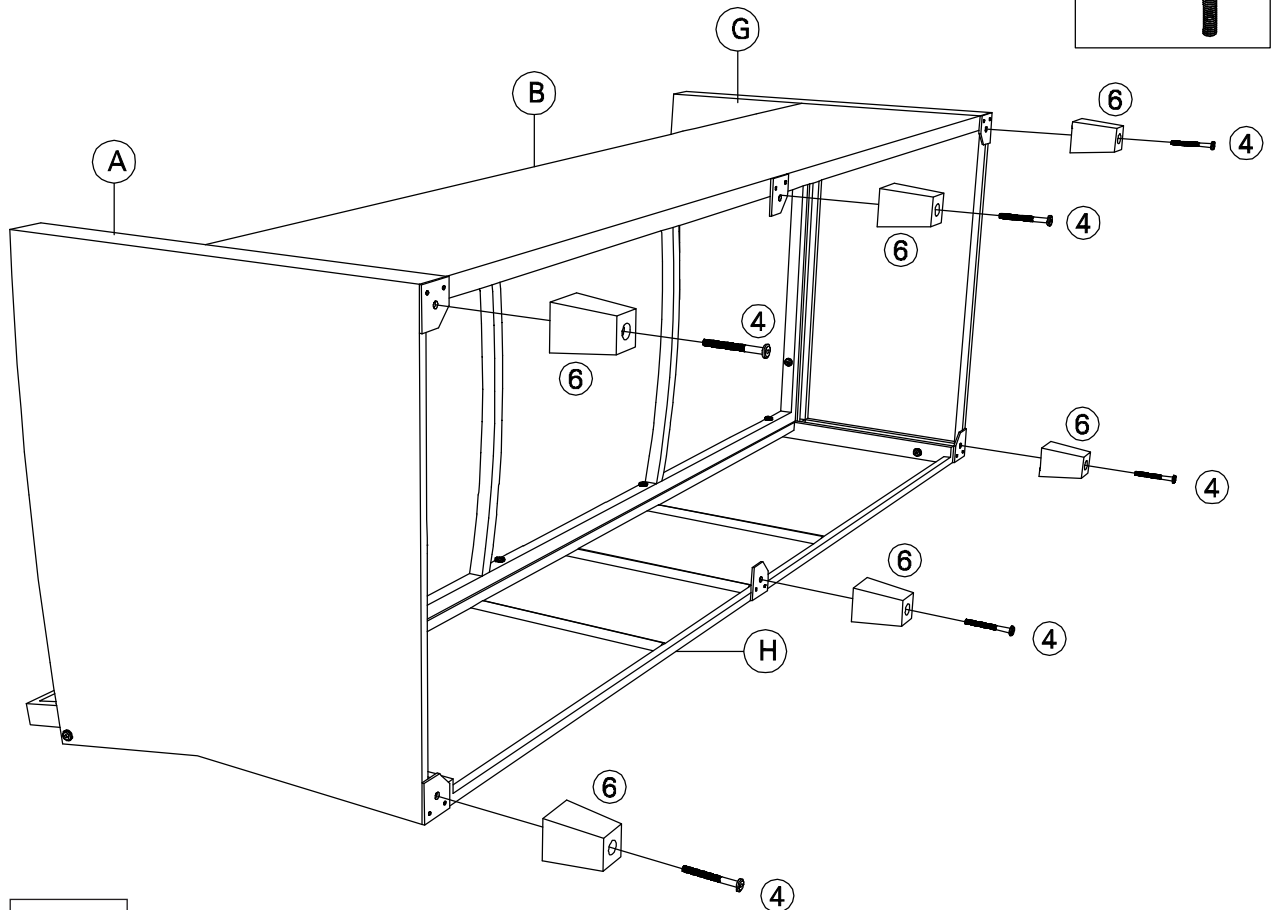
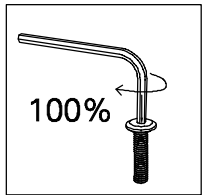
⑤ * 4

Step 3:



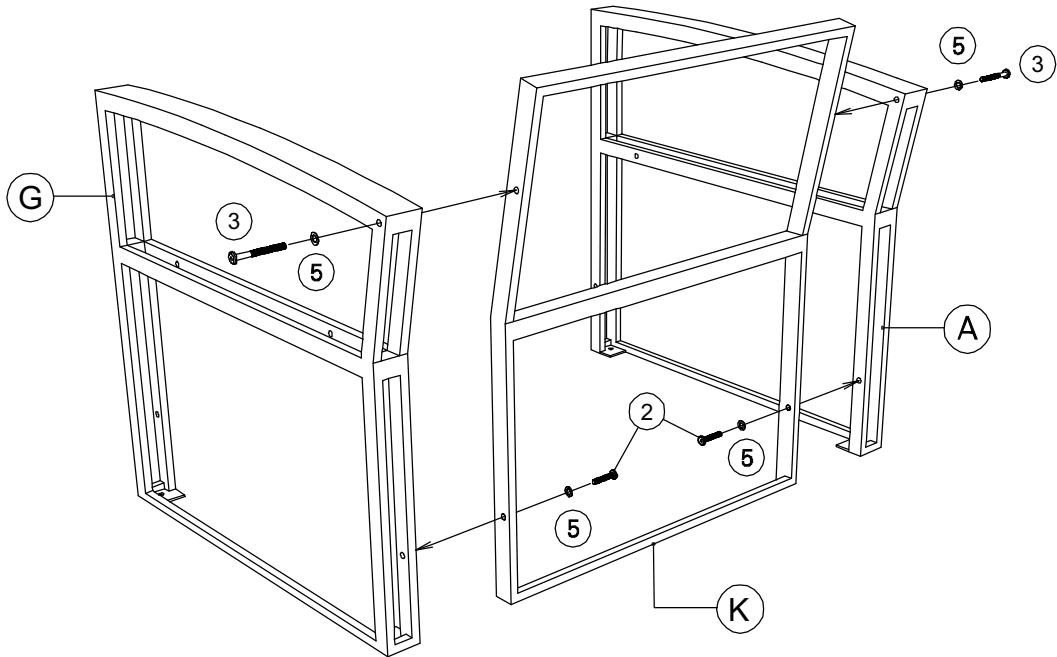
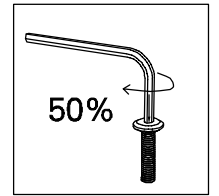
- ① *4
- ② *2
- ⑤ *6

Step 4:



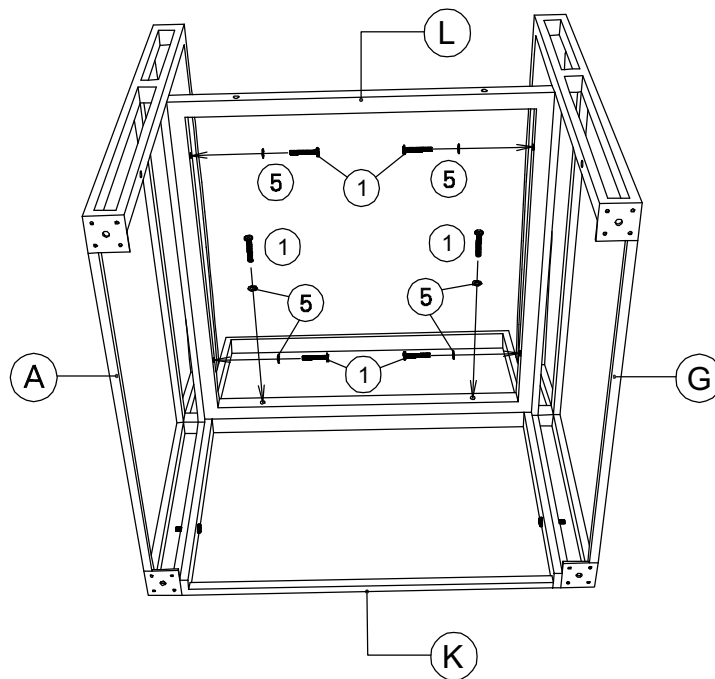
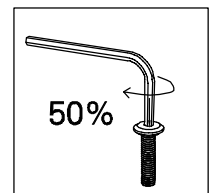
- ④ *6
- ⑥ *6

Step 5:



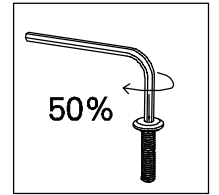
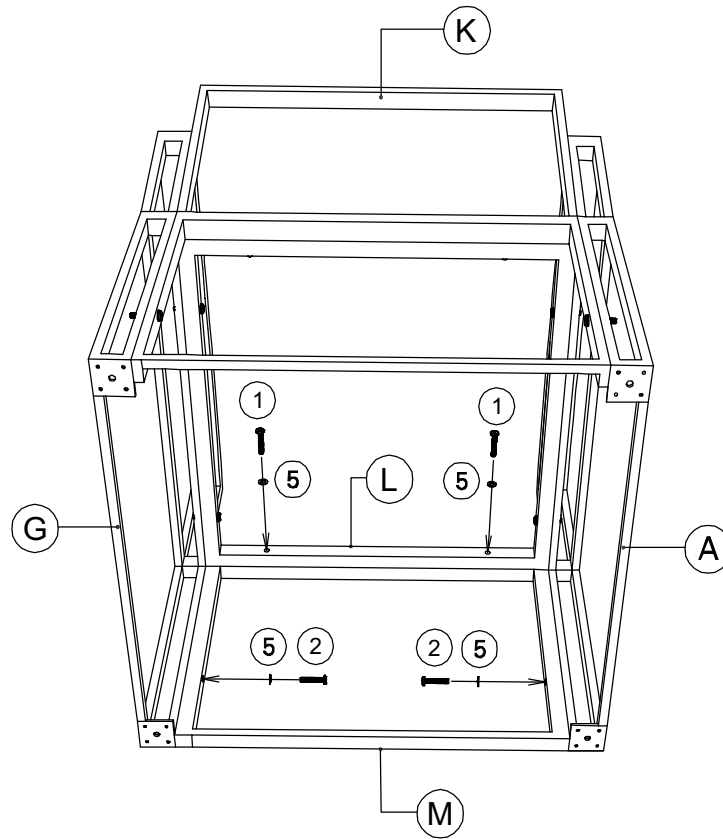
X2

Step 6:



X2

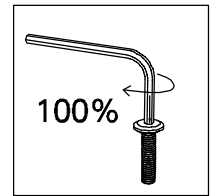
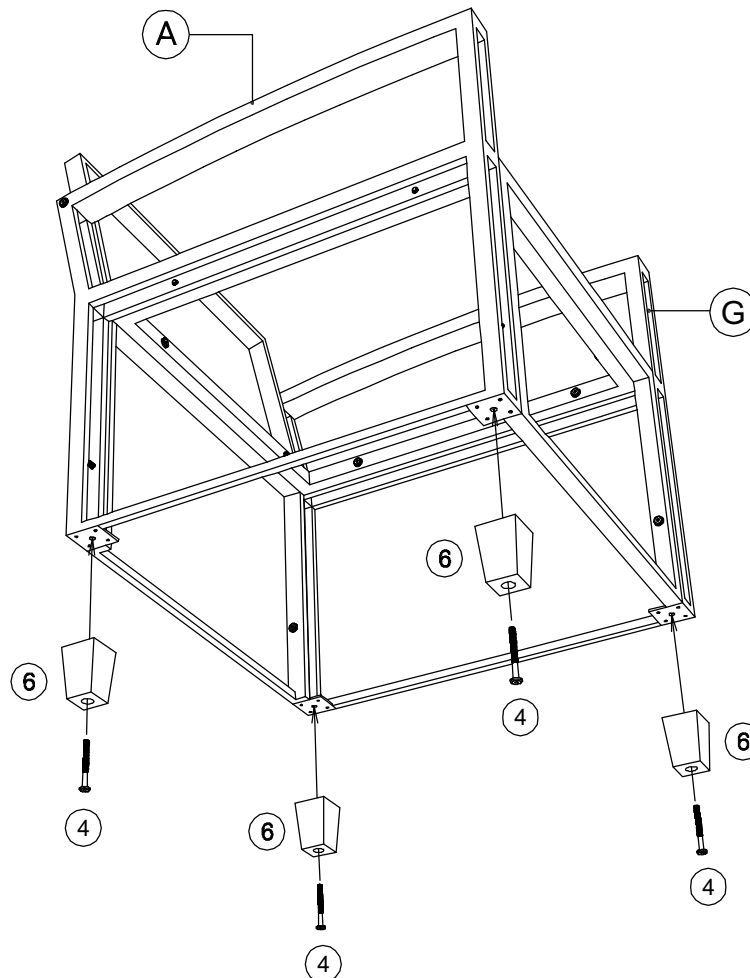
Step 7:



X2

① *2 ② *2 ⑤ *4

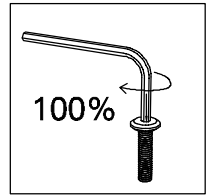
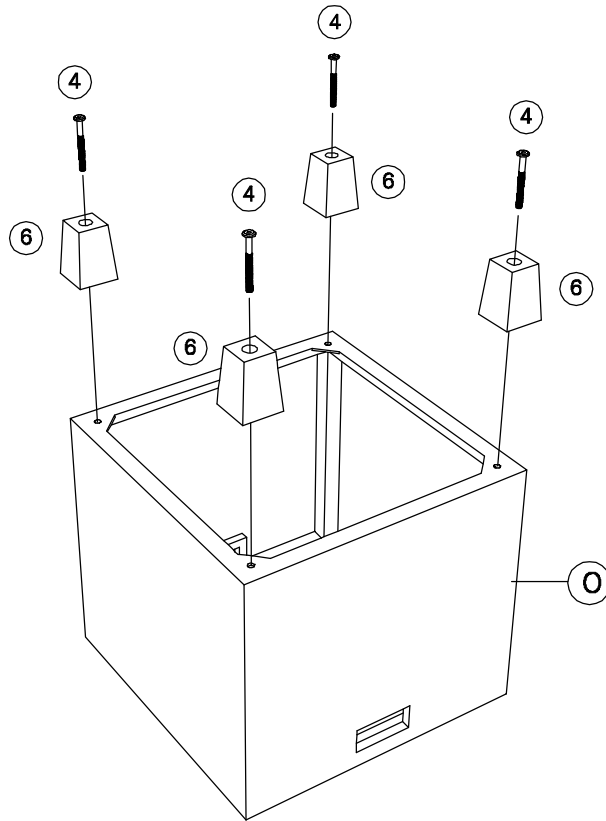
Step 8:



X2

④ *4 ⑥ *4

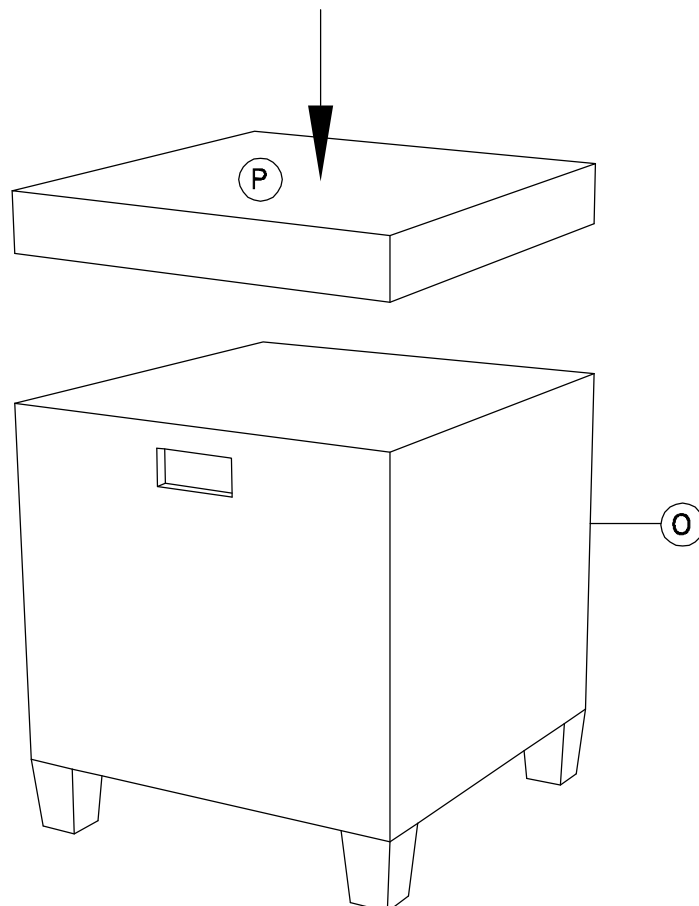
Step 9:



X2

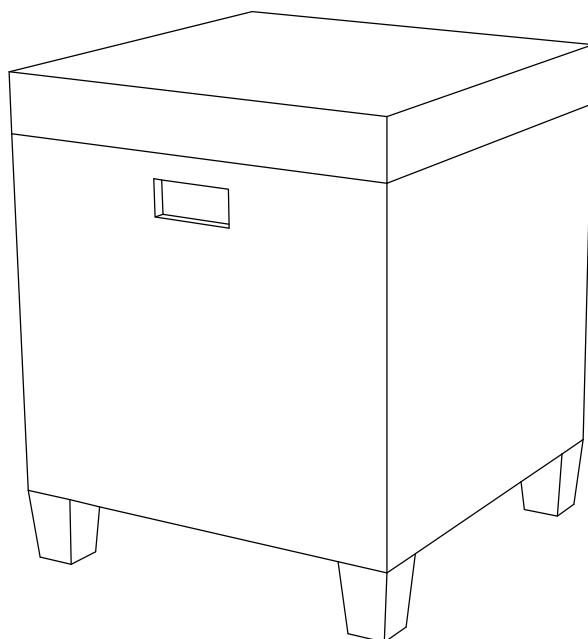
④ *4 ⑥ *4

Step 10:



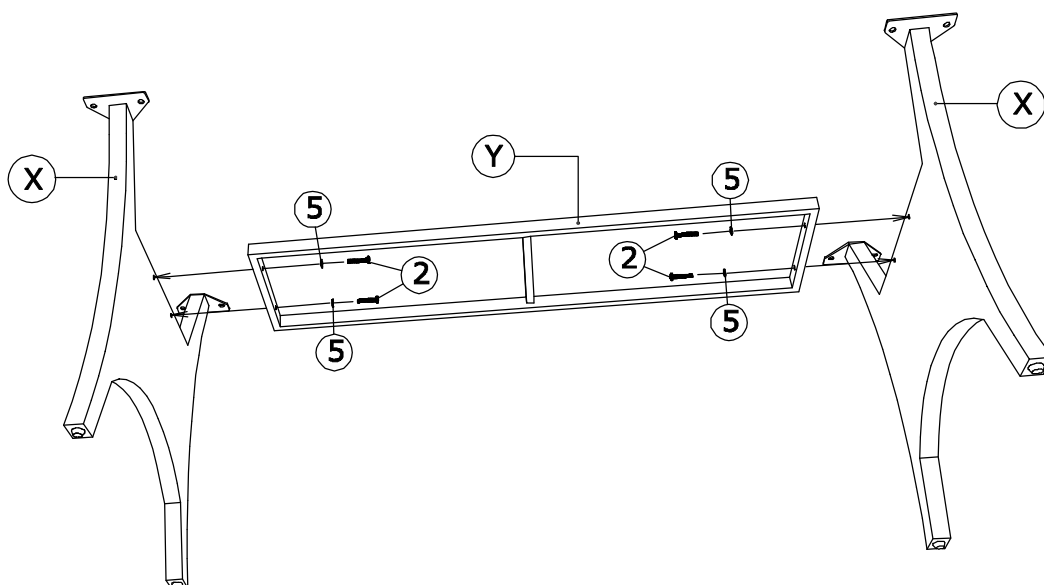
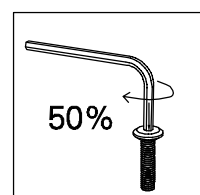
X2

Step 11:



X2

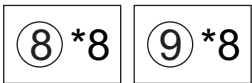
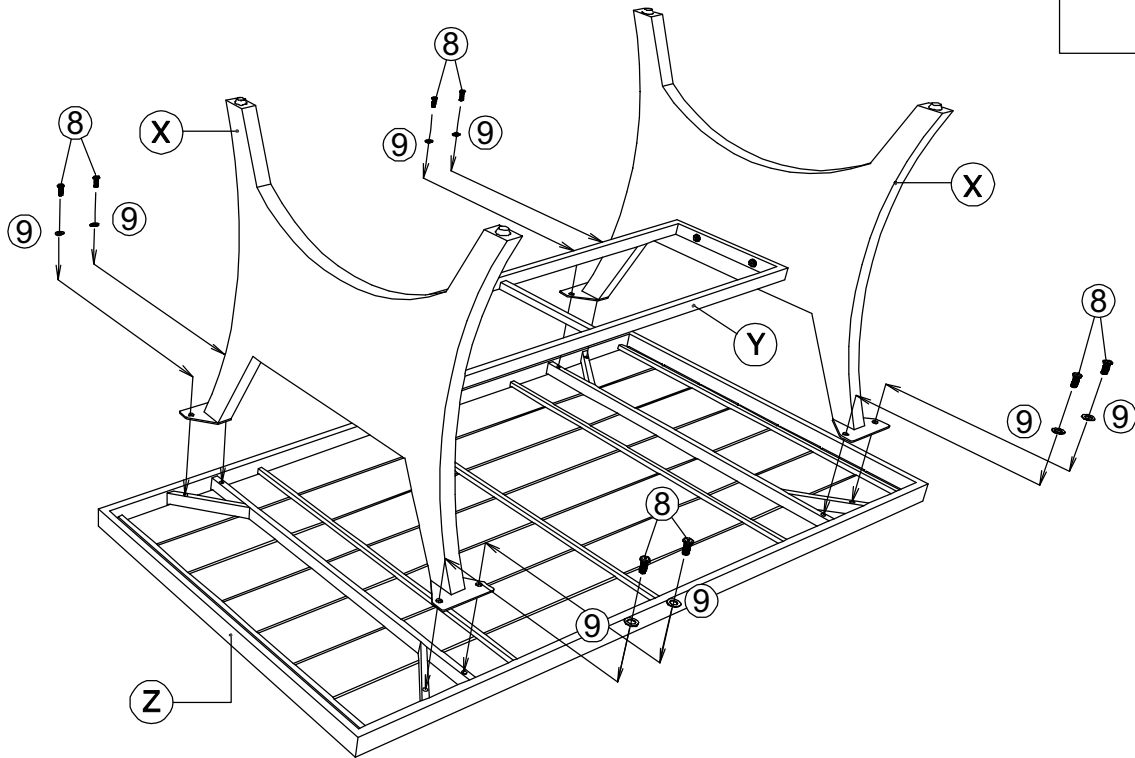
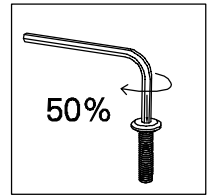
Step 12:



② *4

⑤ *4

Step 13:



Step 14:

