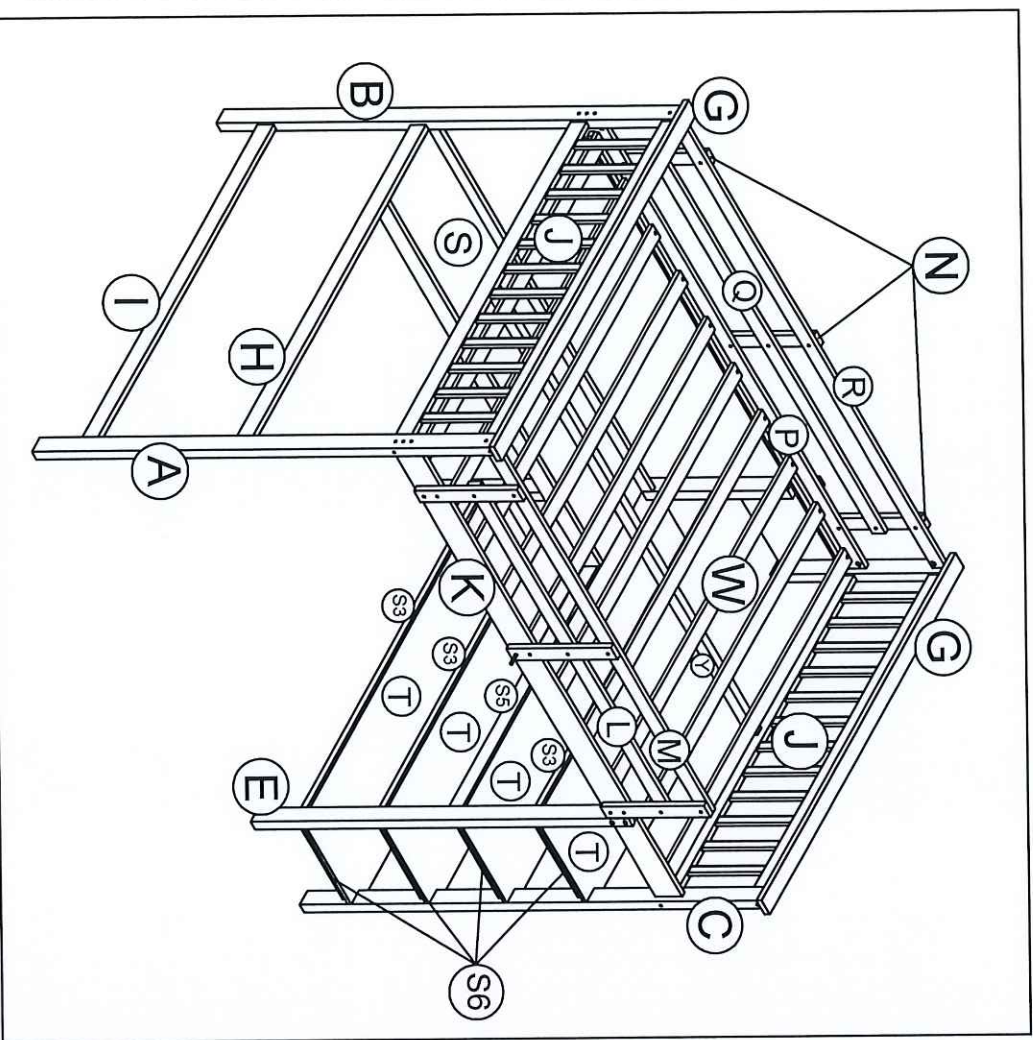


LOFTBED FULL SIZE WITH SHELVES

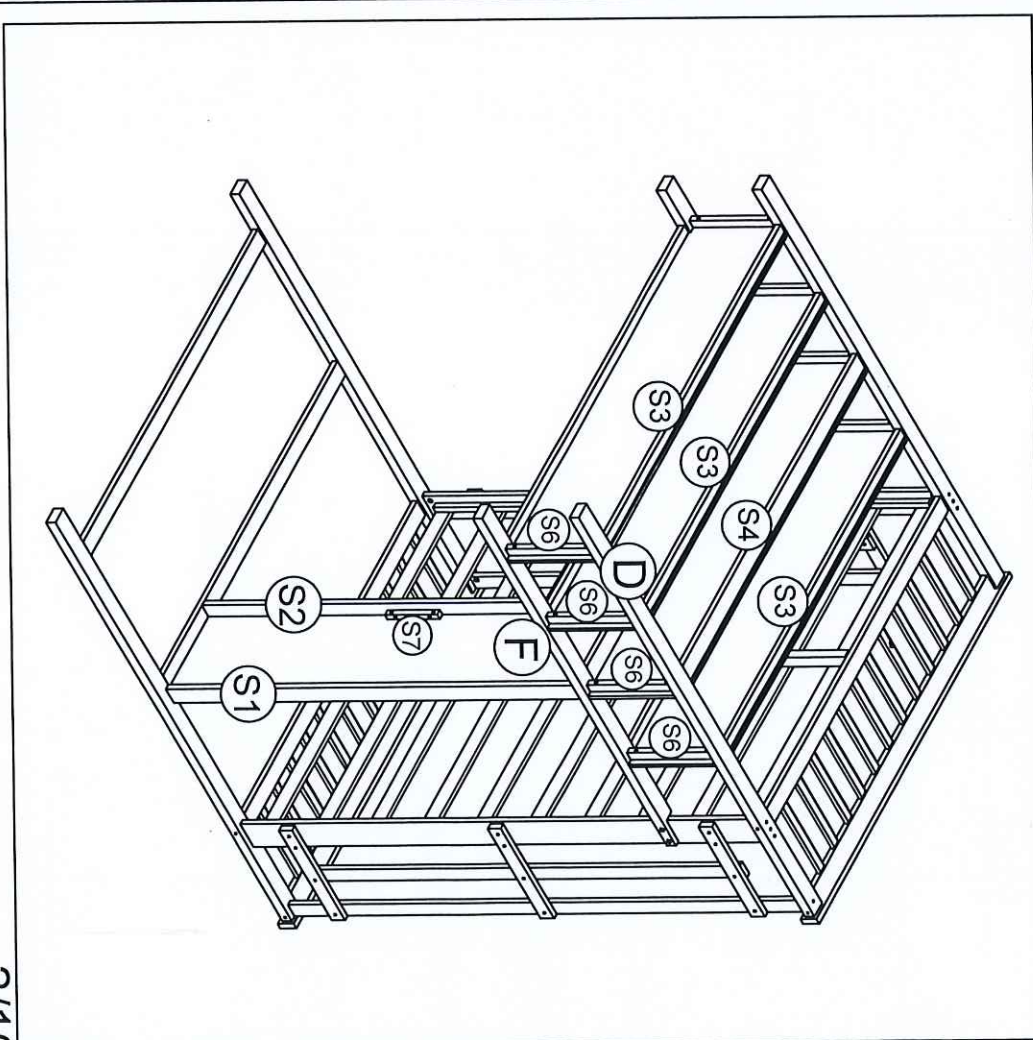
W F : 199592/199593



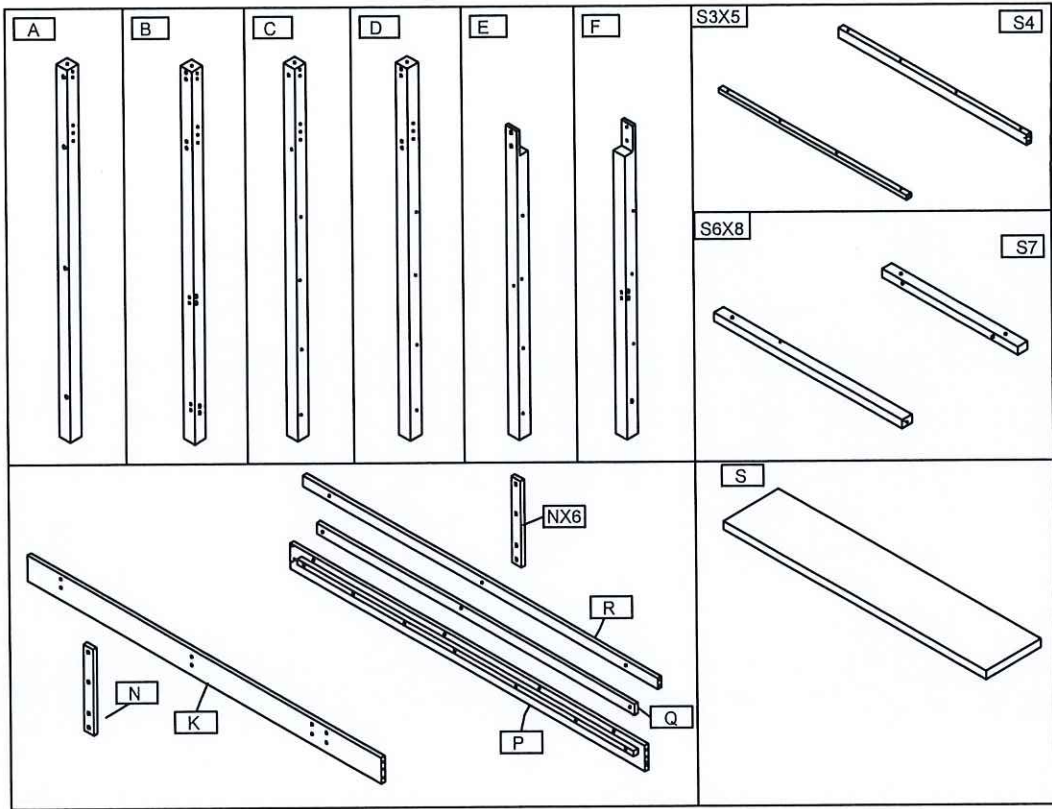
Detail View



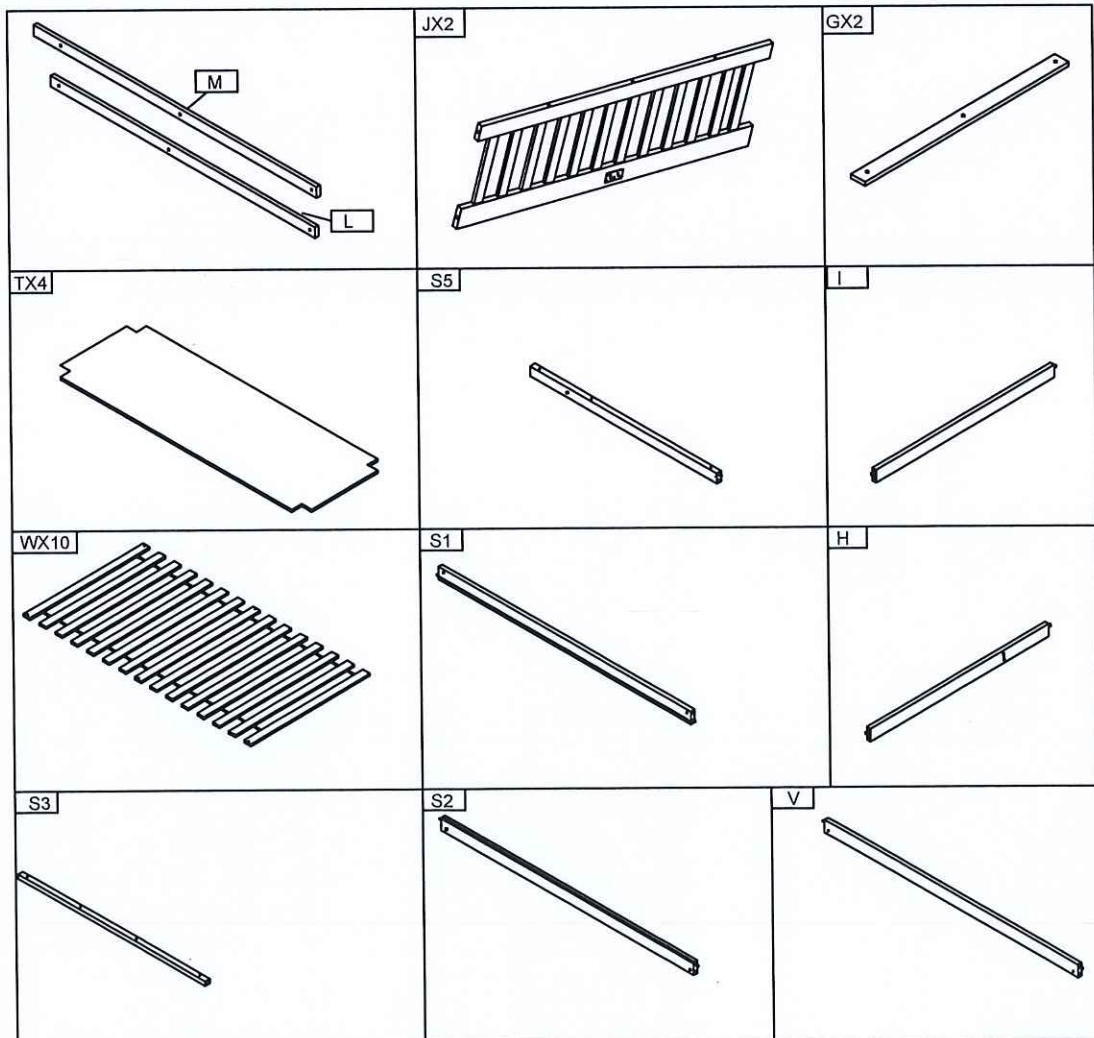
Detail View



WF199592 LOFTBED FULL SIZE WITH SHELVES



WF199593 LOFTBED FULL SIZE WITH SHELVES



HARDWARE

① Bolts-M6x25 -28pcs



② Bolts-M6x60 -2pcs



③ Bolts-M6x80 -15pcs



④ Ø6x13 -33pcs



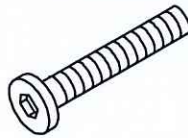
⑤ M13 x15-28pcs



⑥ Wood-screw 6x70-16pcs



⑦ Bolts-M6x100 -16pcs



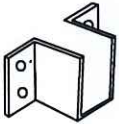
⑧ screw 4x30 -84pcs



⑨ Allen key M4



⑩ 2pcs



⑫

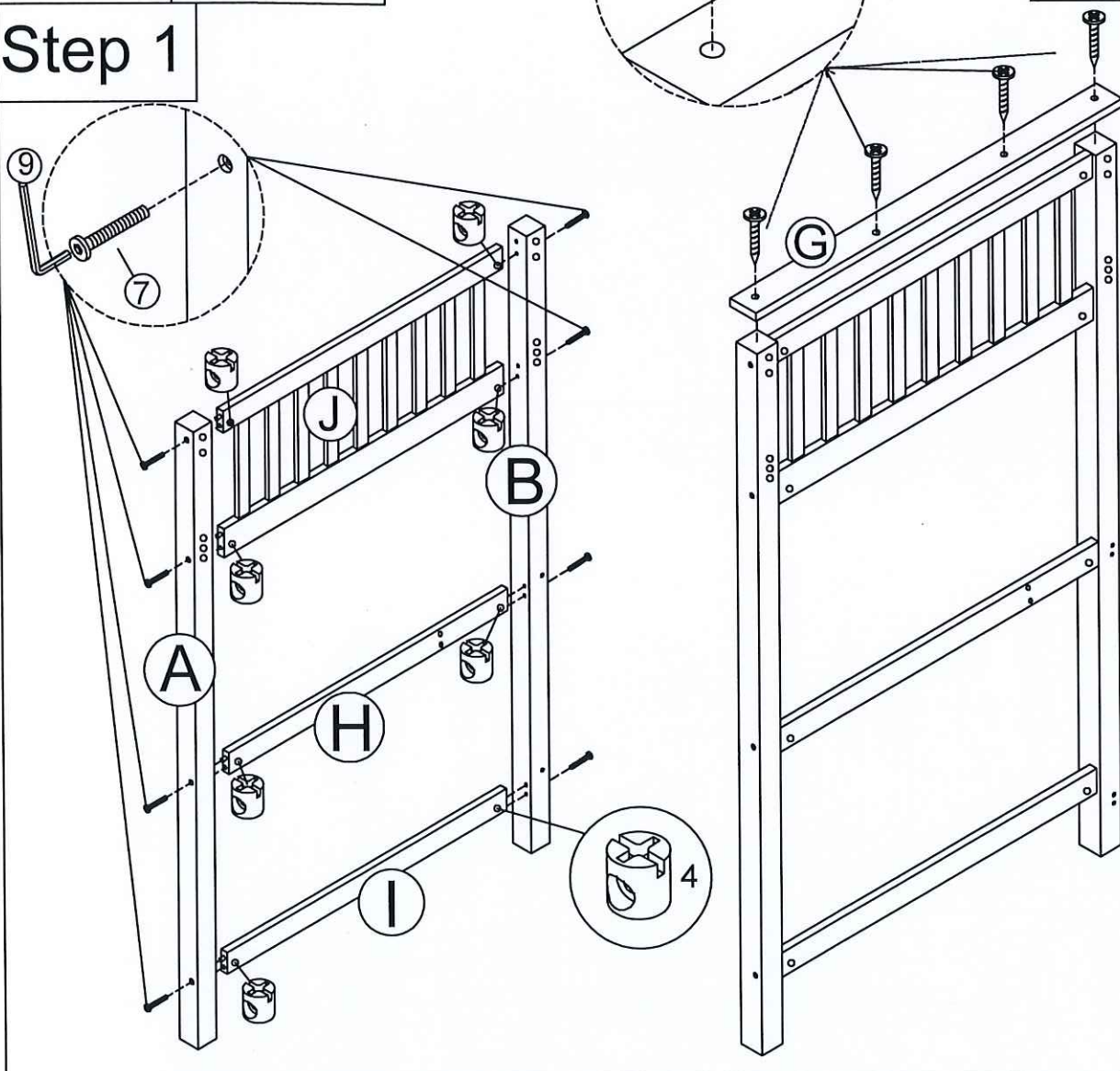


Ø1/4 "30 mm
30 pcs

⑪ screw 3.5x15-8pcs



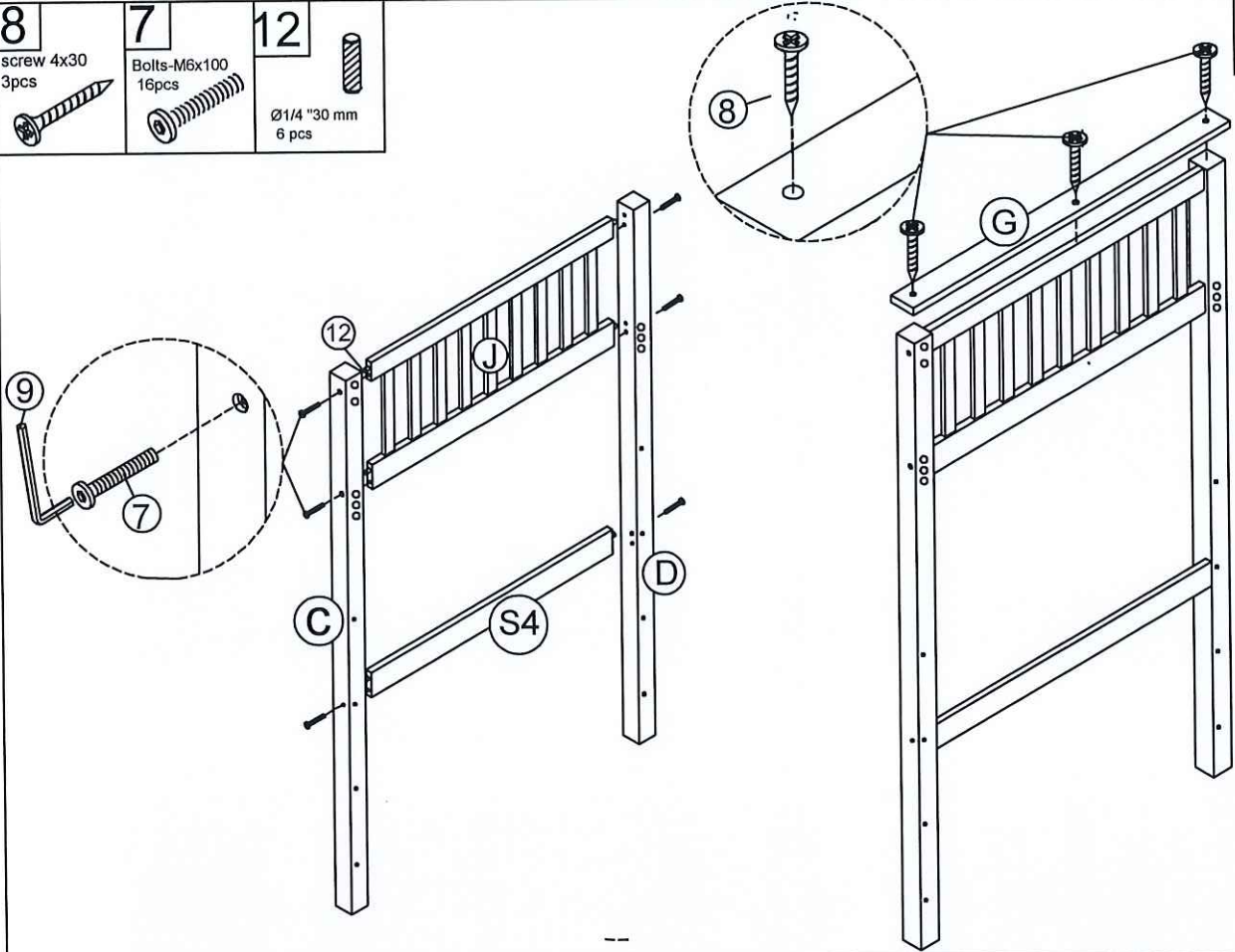
Step 1



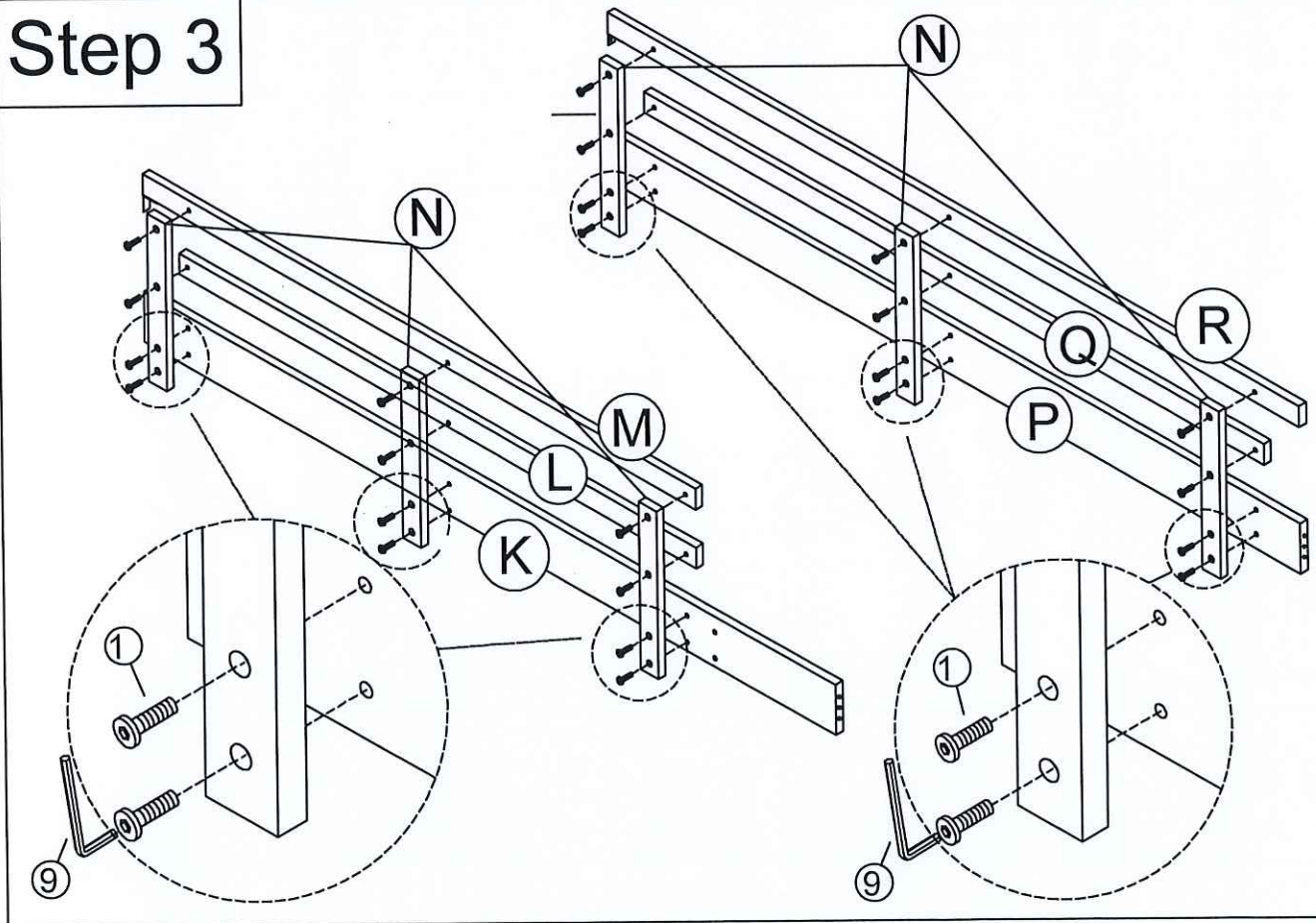
Detail View

8 screw 4x30 3pcs	7 Bolts-M6x100 16pcs	12 Ø1/4 "30 mm 6 pcs
--------------------------------	-----------------------------------	-----------------------------------

Step 2



Step 3

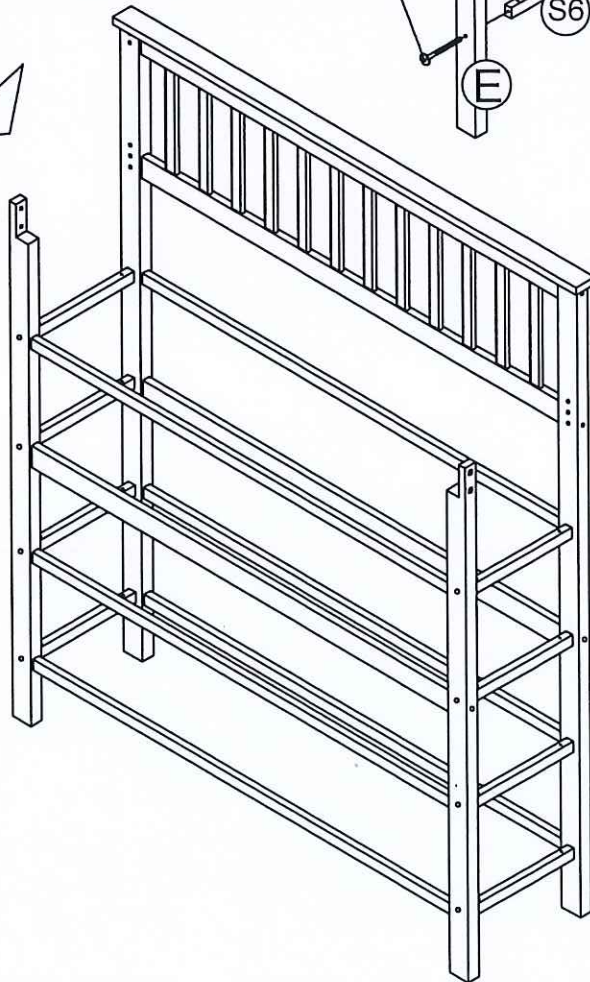
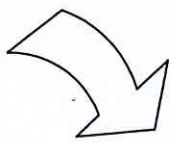
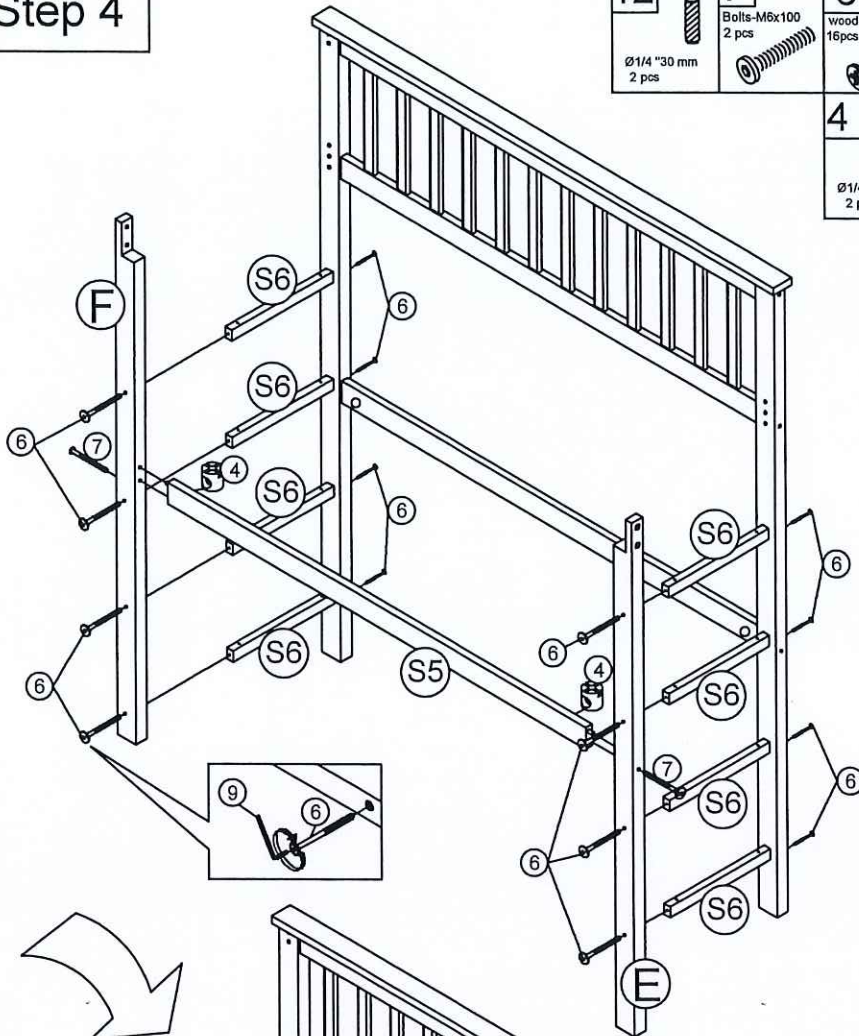


Detail View

Step 4

12 Ø1/4 "30 mm 2 pcs	7 Bolts-M6x100 2 pcs	6 wood-screw 6x70 16 pcs
----------------------------	----------------------------	--------------------------------

4 Ø1/4 "13 mm 2 pcs

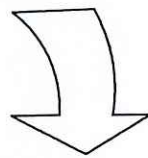
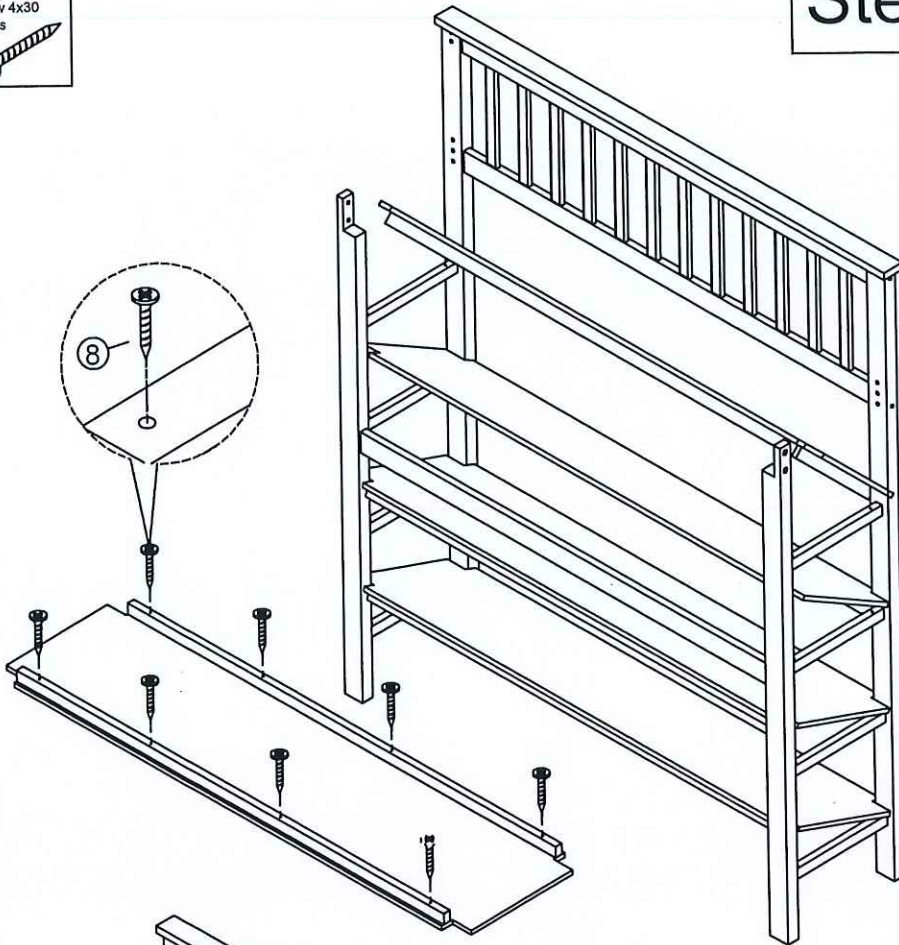


Detail View

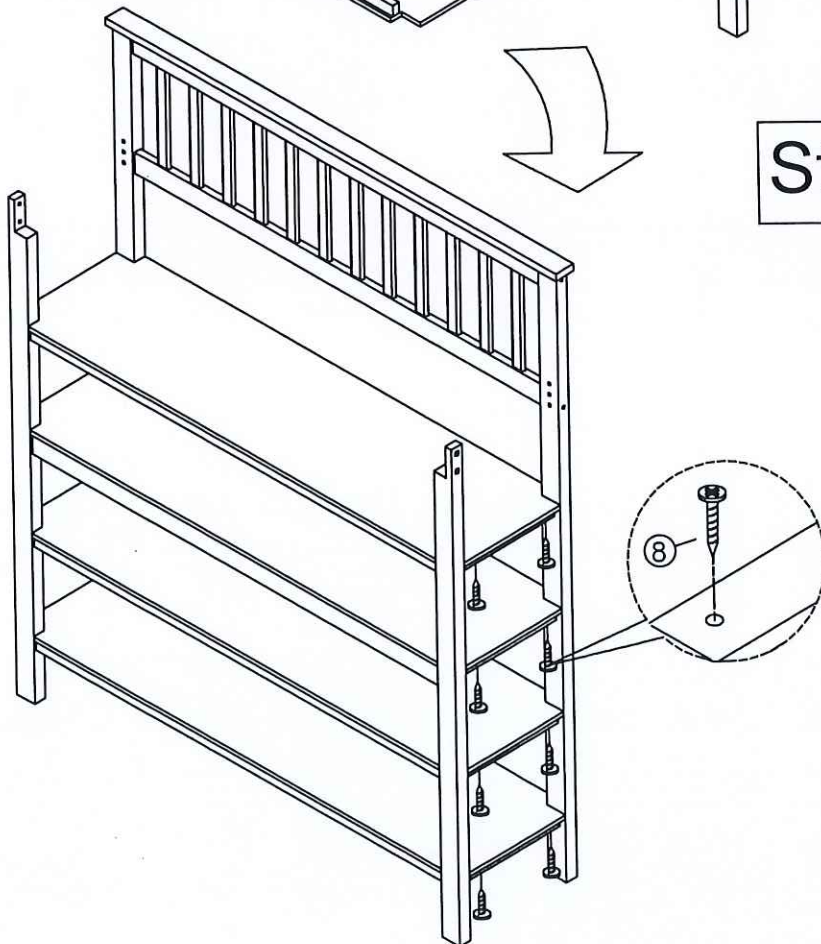
8
screw 4x30
48pcs



Step 5

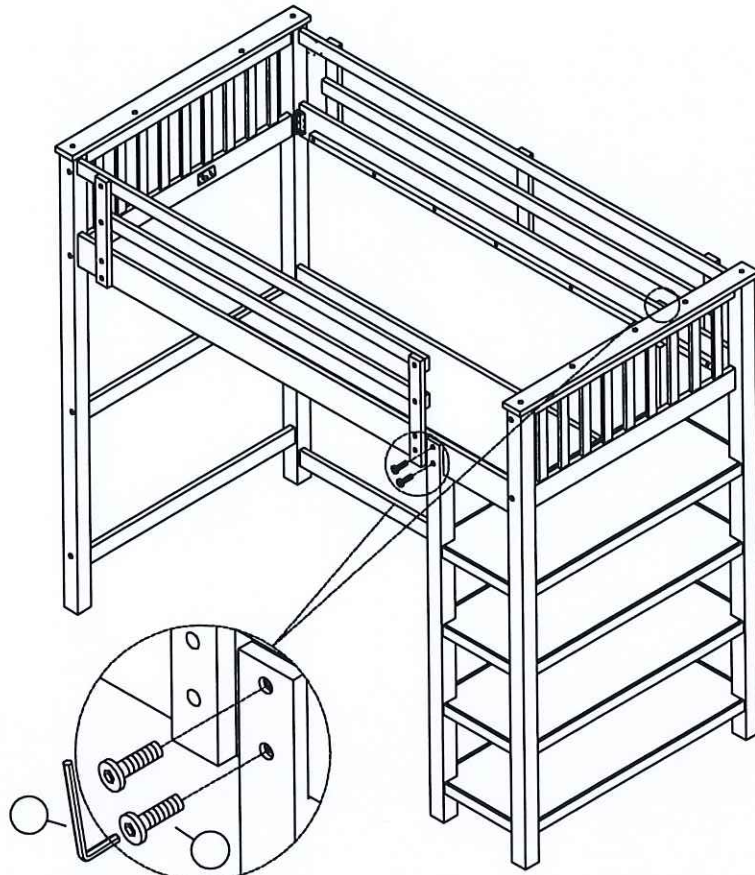


Step 6



DETAIL VIEW

Step 9

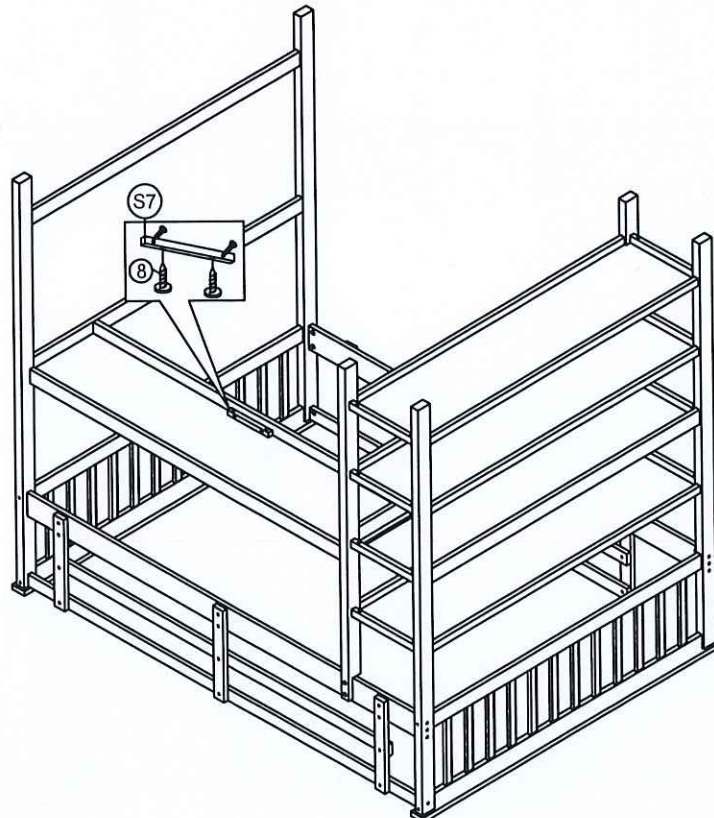


Step 10




8



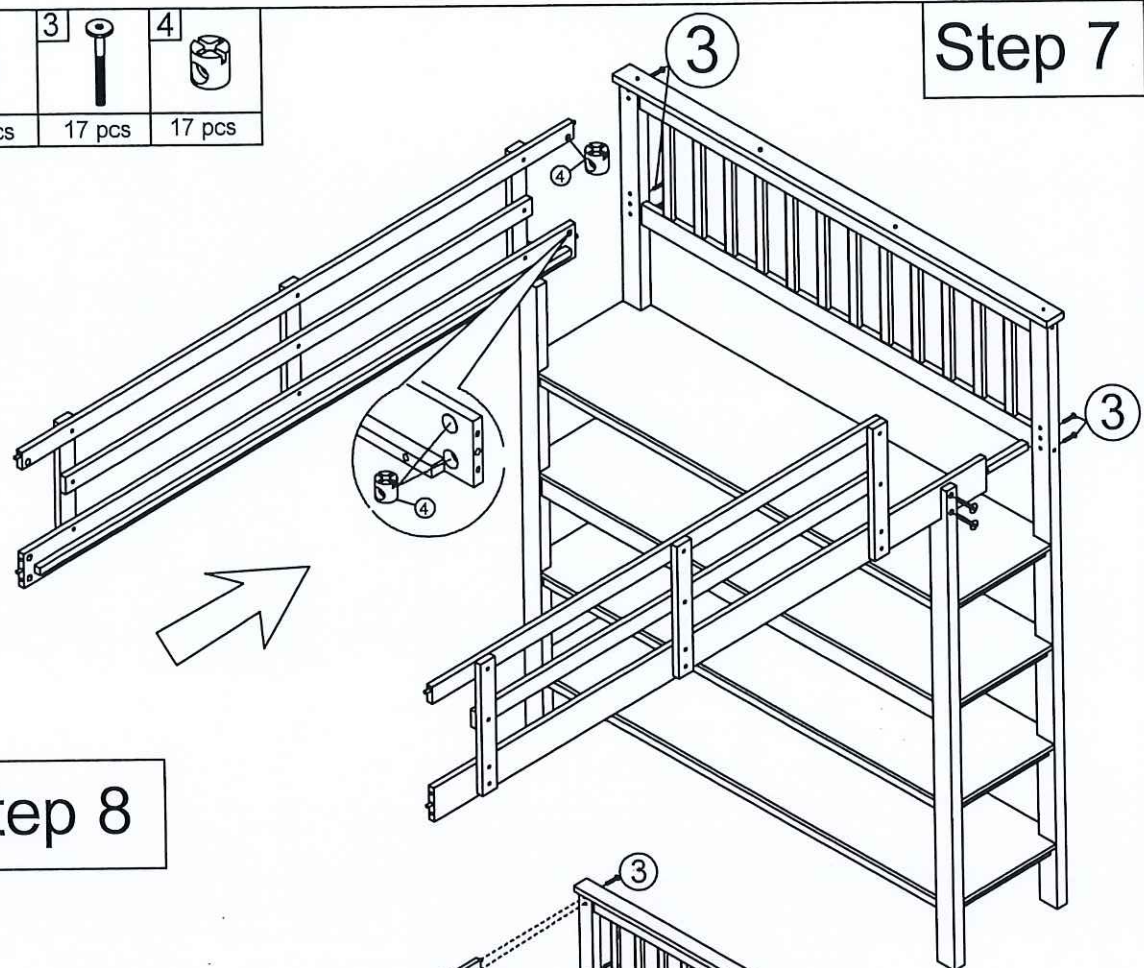
4X30mm - 4PCS



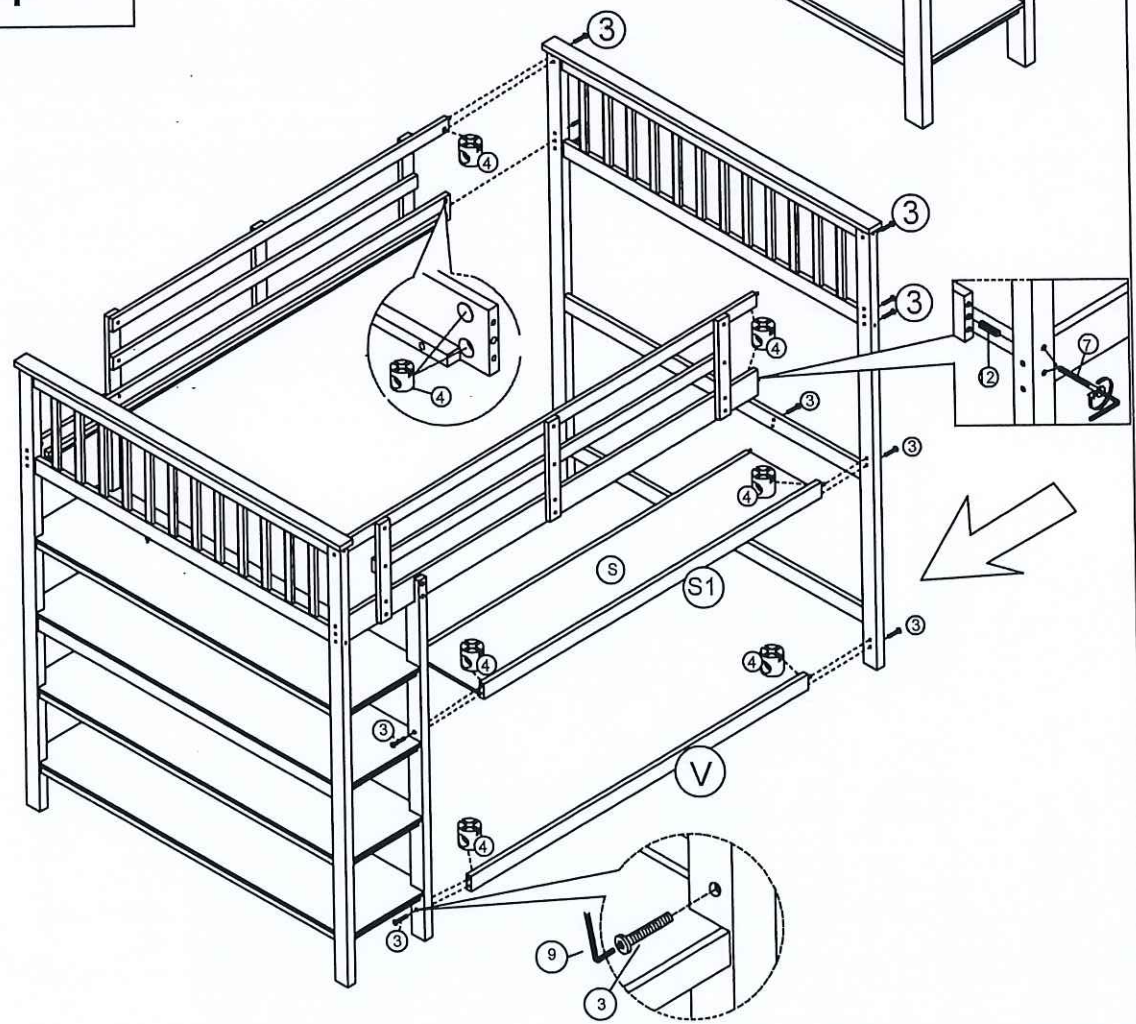
DETAIL VIEW

12	3	4
		
12 pcs	17 pcs	17 pcs



Step 7

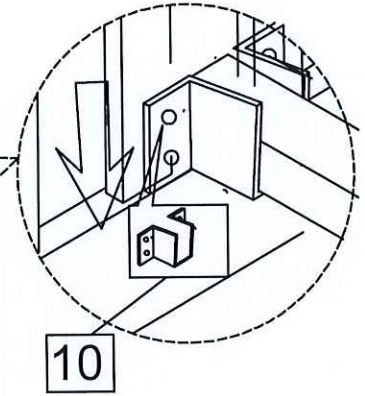
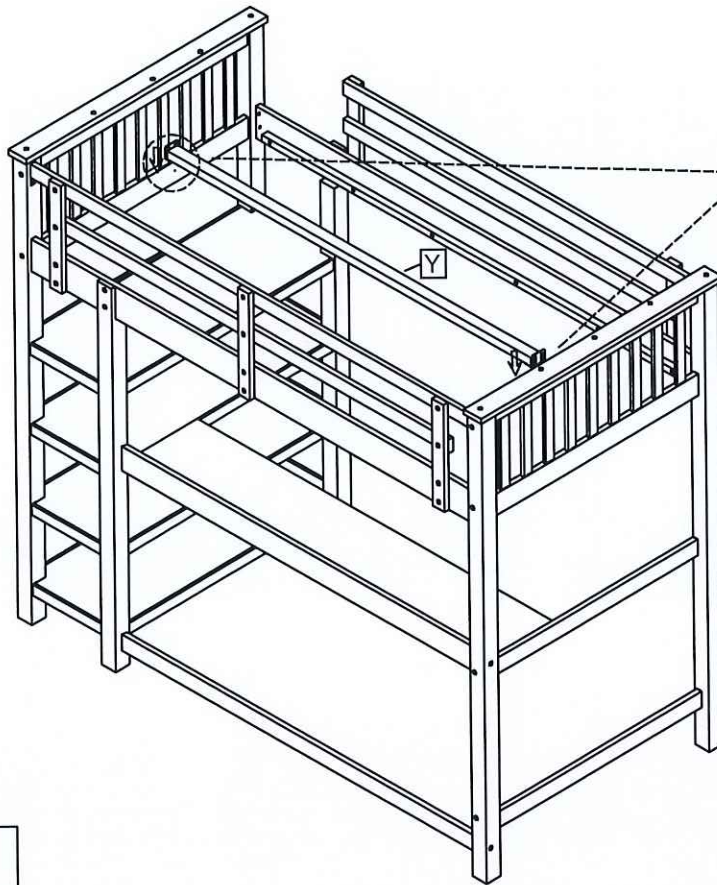


Step 8



DETAIL VIEW

10	8
	
2PCS	20PCS



Step 11

Step 12

