

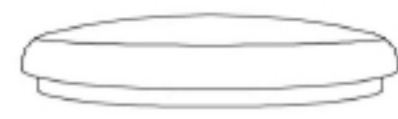
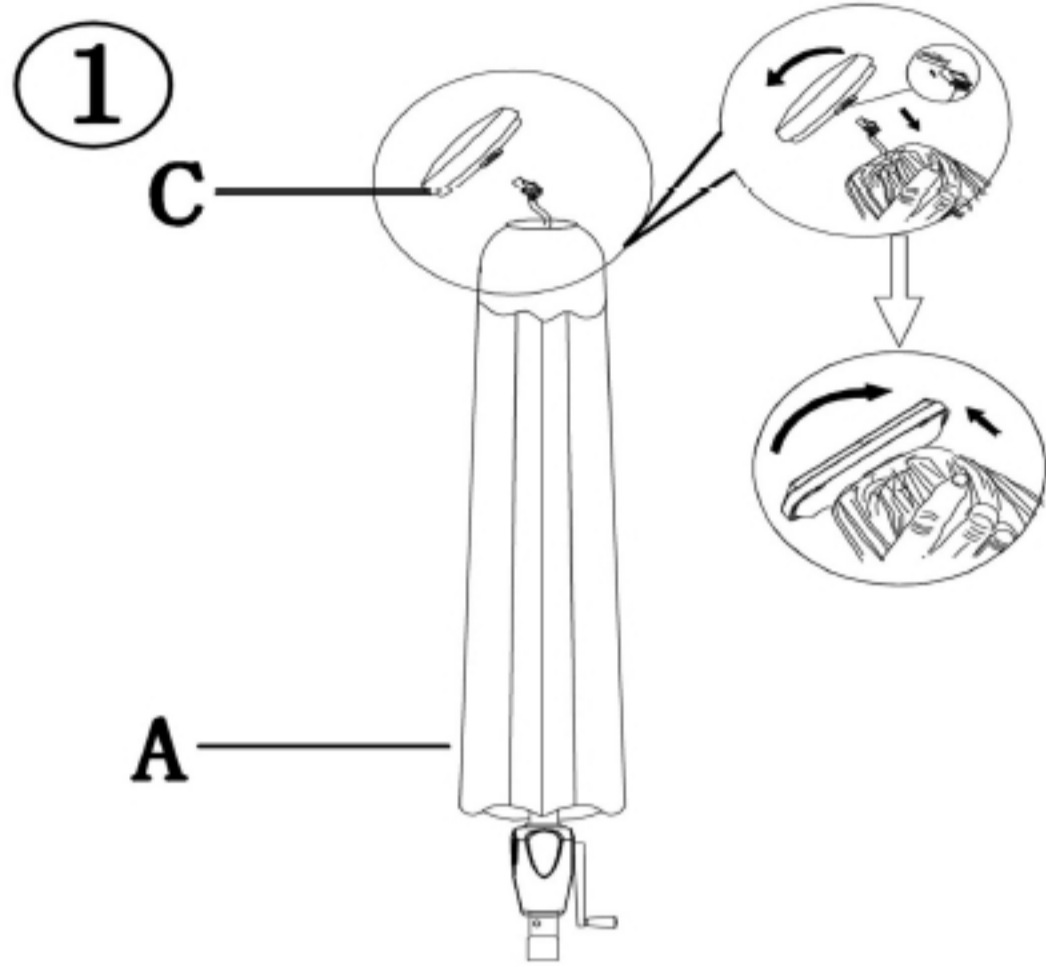


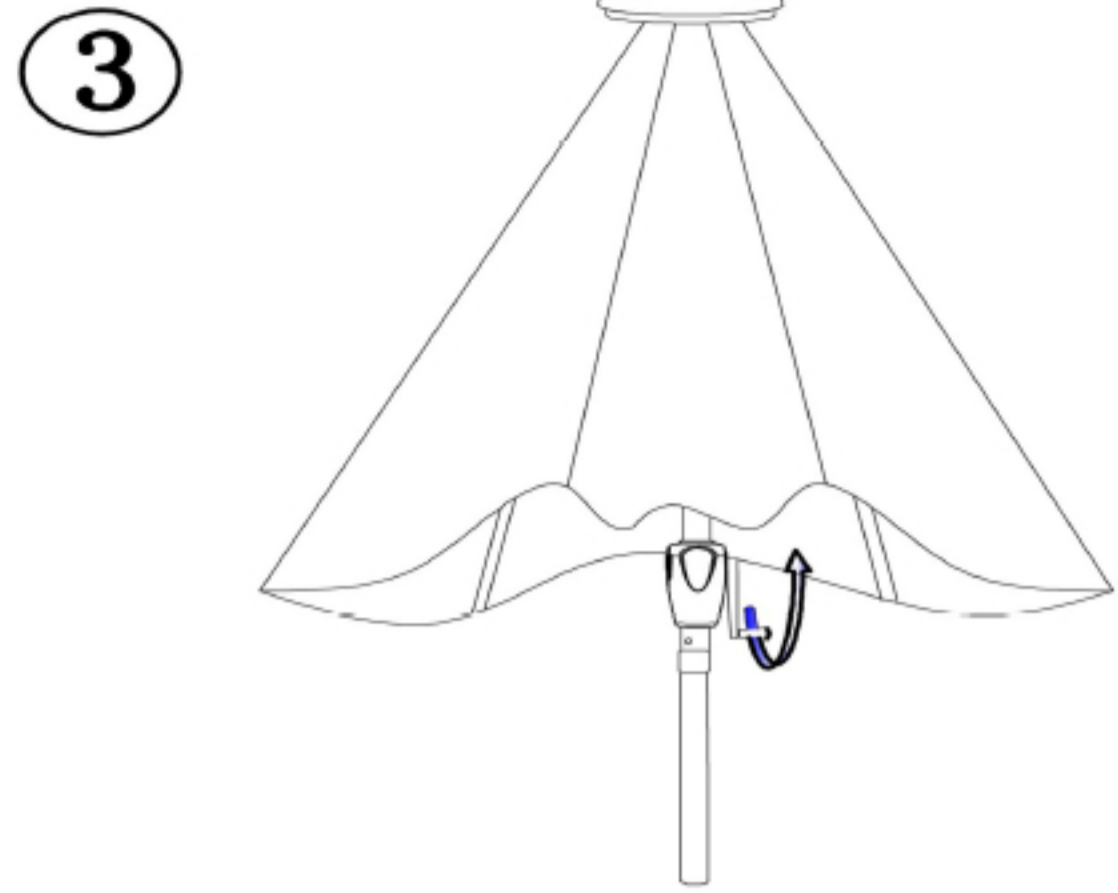
UMBRELLA ASSEMBLY INSTRUCTIONS

Note : Leave the solar receiver out in a sunny area to charge before the first time turning on the LED lights.

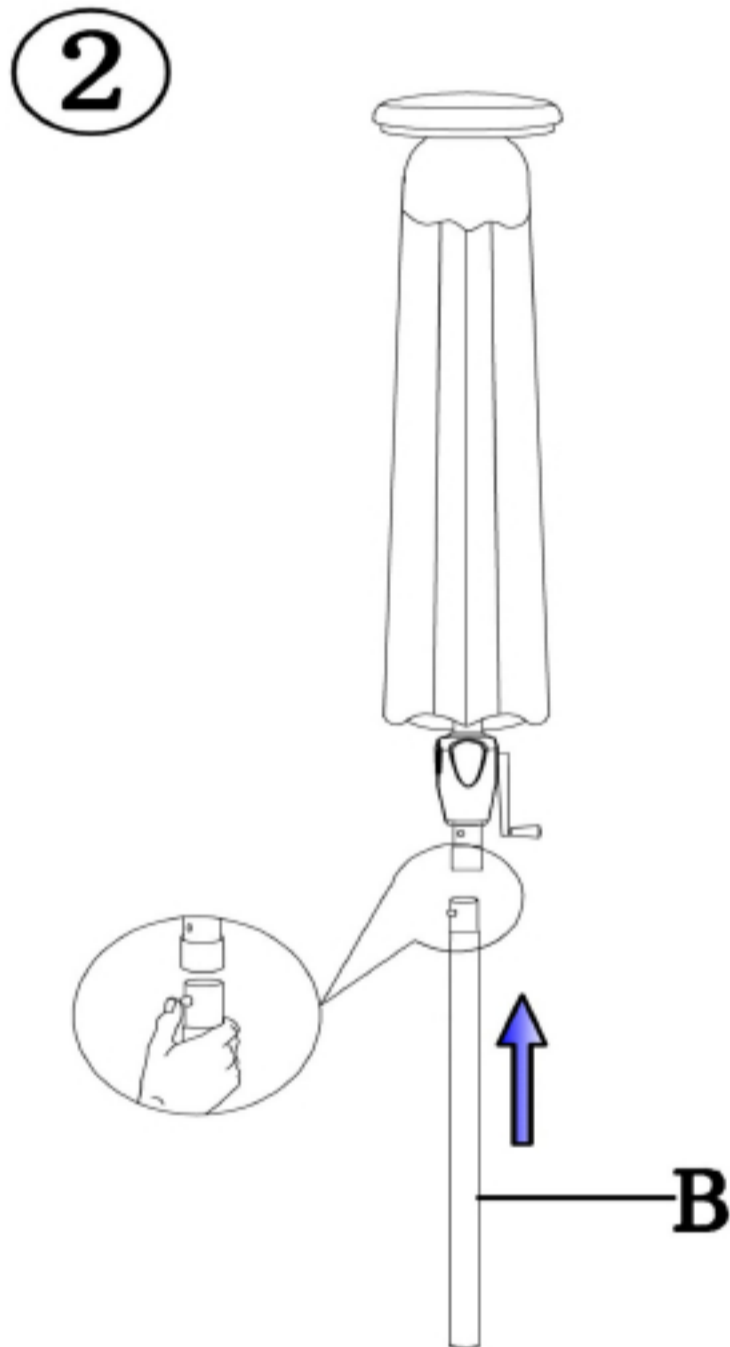
A Umbrella frame with canopy  Qty 1	B Bottom Pole  Qty 1	C Solar Panel  Qty 1
---------------------------------------------------------------------------------------------------------------------------------------------	-------------------------------------------------------------------------------------------------------------------------------	--------------------------------------------------------------------------------------------------------------------------------



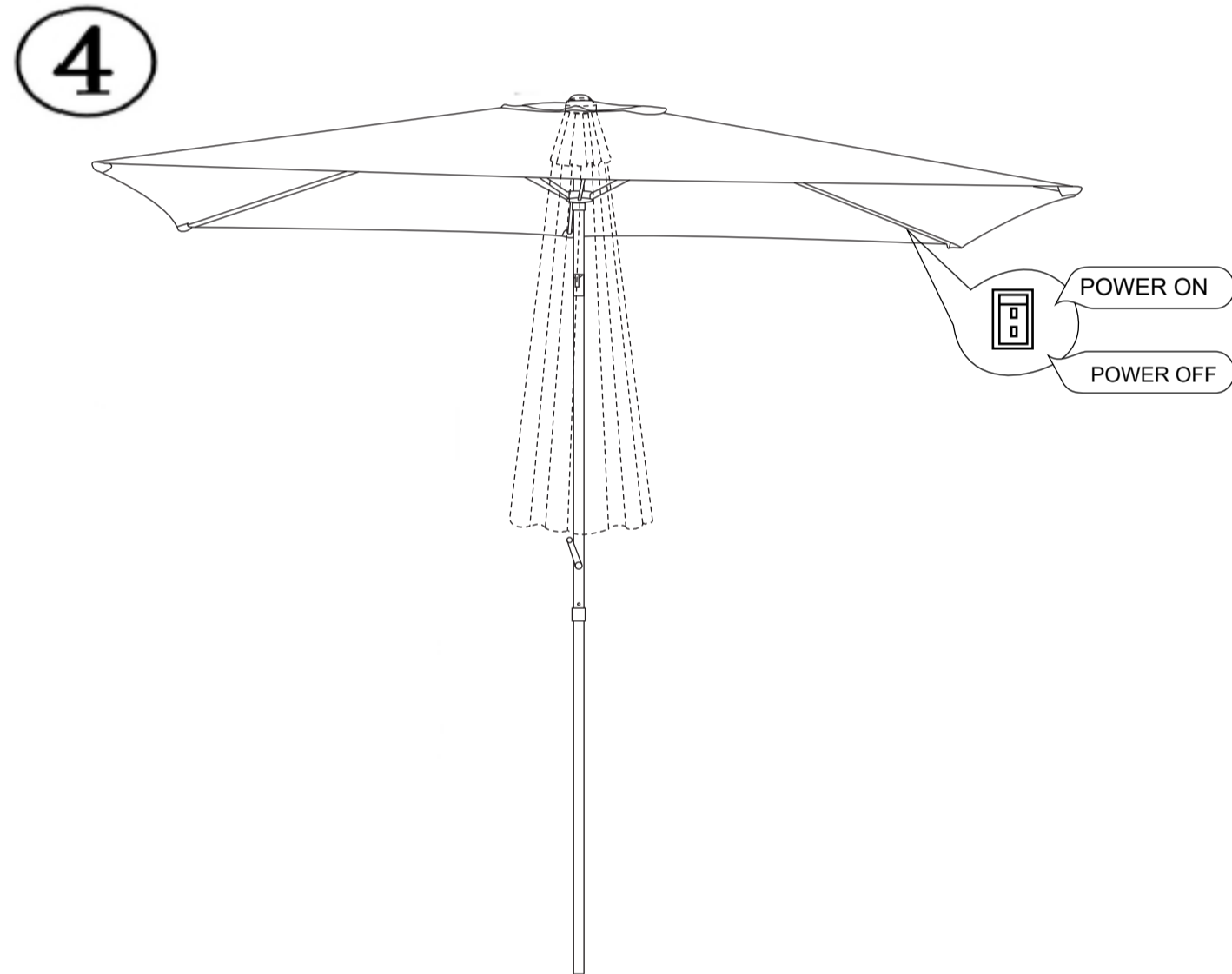
Step 1: Put the solar panel on the top of the umbrella and connect the wires and plug. Once connected, attached the solar panel to the umbrella by pushing down and rotating clockwise until panel is secure.



Step 3: Pull out ribs away and turn the crank handle in the clockwise direction to open the umbrella canopy, and in the opposite direction to close the canopy. To close the umbrella it must be in the upright position.



Step 2: Attach the bottom pole of the umbrella until the pole snaps in place.



Step 4: Press the light switch to turn the lights on / off. Put the solar umbrella in the sunlight to charge the batteries before the first use.

REMINDERS:

Make sure to charge the batteries for at least 8 hours before the first use. If charging the solar panel while attached to the umbrella, make sure the switch on the pole is in the off position. Please note that the battery can discharge if it is left unused or uncharged for a long period of time.

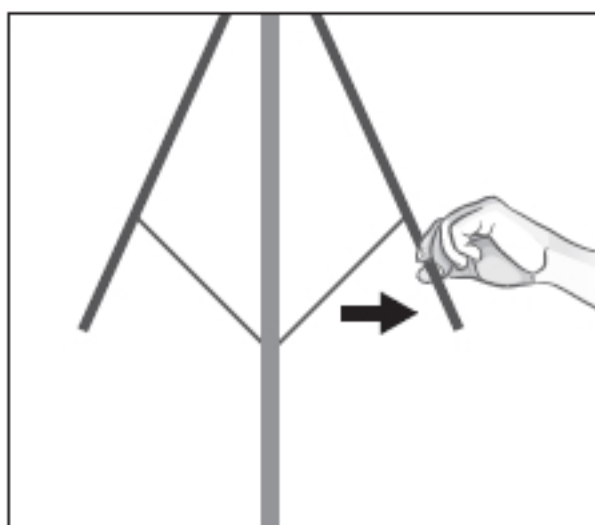
Market Umbrella **Care & Maintenance**

CARE AND DIRECTIONS

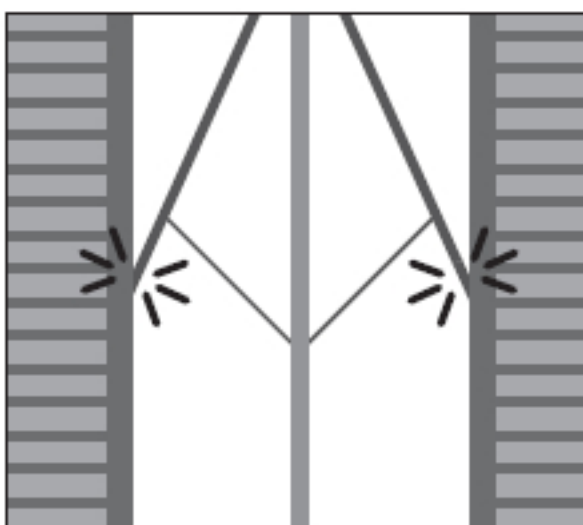
Always close the umbrella in its stand when not in use or in windy weather. It is best to remove the top section of the pole (that holds the umbrella canopy), and lay it flat when not in use. To clean the umbrella cover, rinse with a solution of mild soap and warm water and allow to air dry. Always use an appropriate weighted base with your umbrella, even if it is being used with a table. In the event that you are using the umbrella without a table, you must use a free-standing base that is heavy enough to provide support for the umbrella.

ONE (1) YEAR LIMITED WARRANTY ON MANUFACTURING DEFECTS

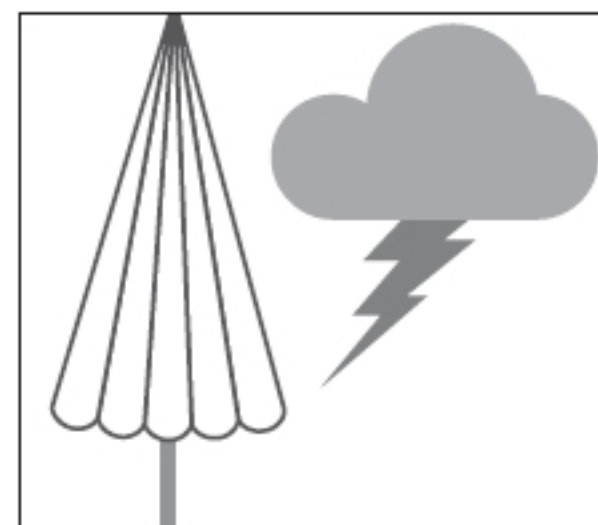
Warranty does not cover damage due to rust, weather, general use or misuse, commercial use, scratches/paint chips, fading fabric, tangled/torn cords, broken ribs or anything considered general wear and tear. Acts of nature are not covered by manufacturer warranty.



Before you open up the umbrella, you must pull out the ribs away from the center pole to ease opening



Watch out for any potential obstacles, when you open up the umbrella



When not in use and under windy or stormy weather, make sure to always close the umbrella and properly store



WARNING

OUR UMBRELLAS ARE DESIGNED FOR SUN SHADE USE, THEY SHOULD NOT BE USED FOR SHELTER IN INCLEMENT WEATHER OR IN WINDY CONDITIONS. PLEASE KEEP SCREWS AND PARTS OUT OF REACH OF CHILDREN. ADULT ASSEMBLY REQUIRED.