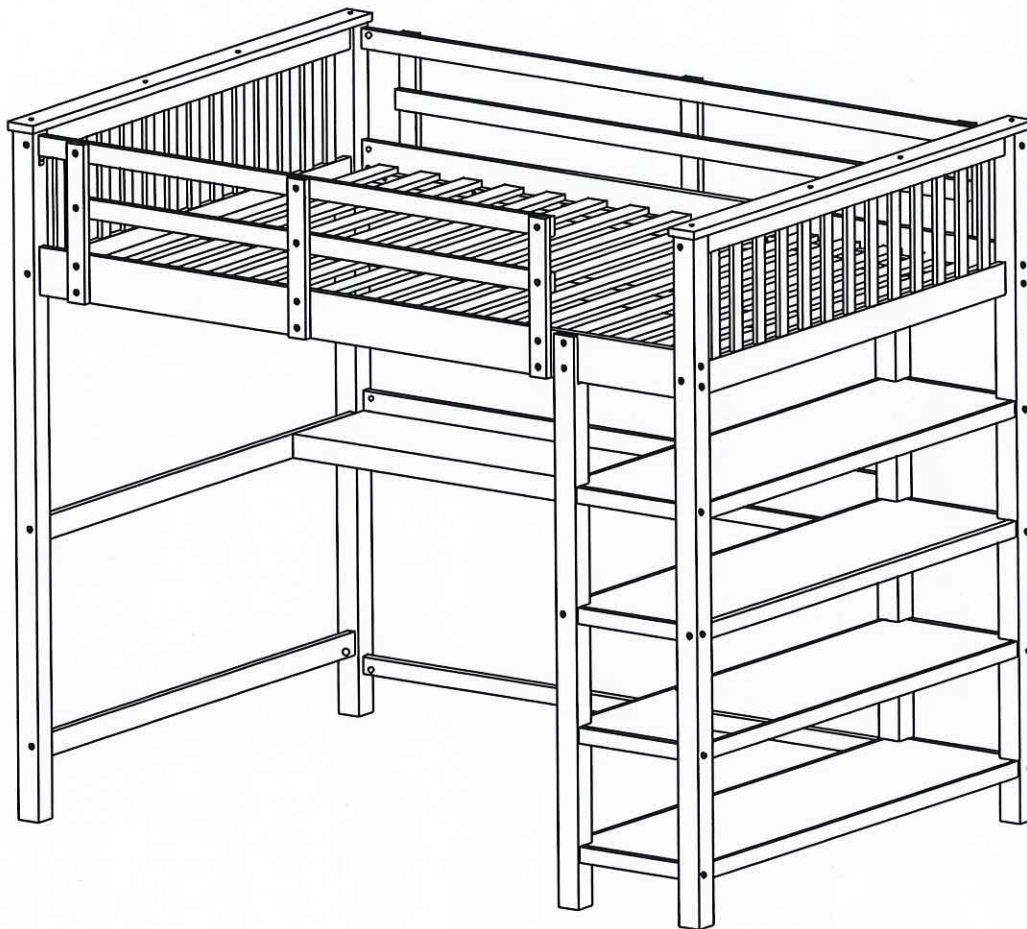


LOFTBED Full SIZE WITH SHELVES

WF199592/199593



Part List

Ax1	Bx1	Cx1	Dx1	Ex1	Fx1	Gx2
						Ix1
						Hx1
						Jx2
Sx1			Tx4			S5x1
S1x1	Wx10		S3x6		S4x1	
S2x1		Vx1	Y		S6x8	S7x1

HARDWARE

① Bolts-M6x25 -28pcs



② Bolts-M6x60 -2pcs



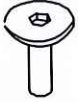
③ Bolts-M6x80 -15pcs



④ Ø6x13 -33pcs



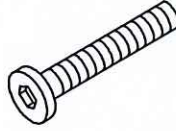
⑤ M13 x15-28pcs



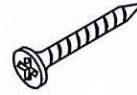
⑥ Wood-screw 6x70-16pcs



⑦ Bolts-M6x100 -16pcs



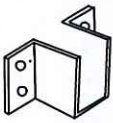
⑧ screw 4x30 -84pcs



⑨ Allen key M4



⑩ 2pcs



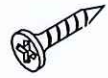
⑫



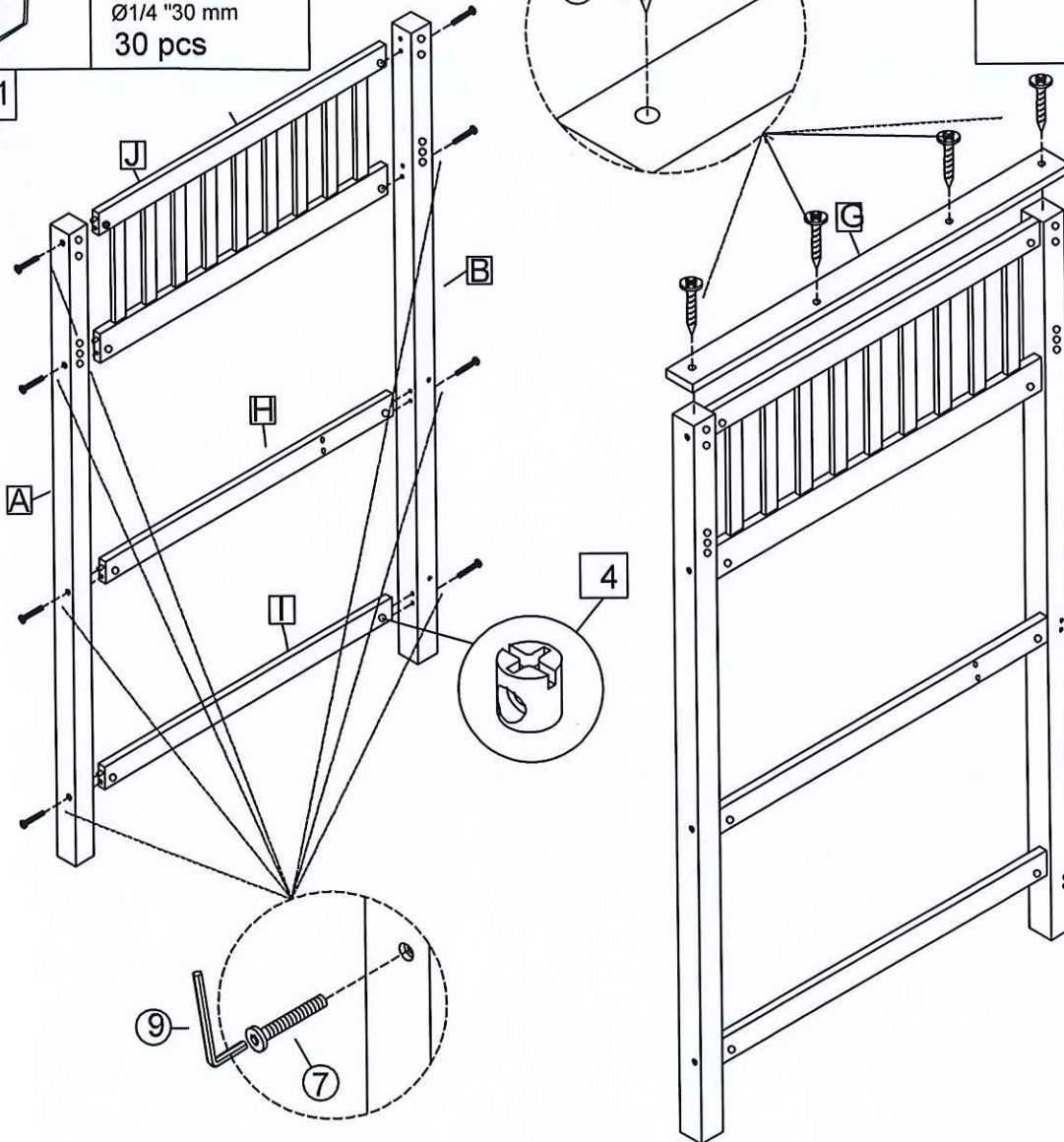
Ø1/4 "30 mm
30 pcs

⑪

screw 3.5x15-8pcs

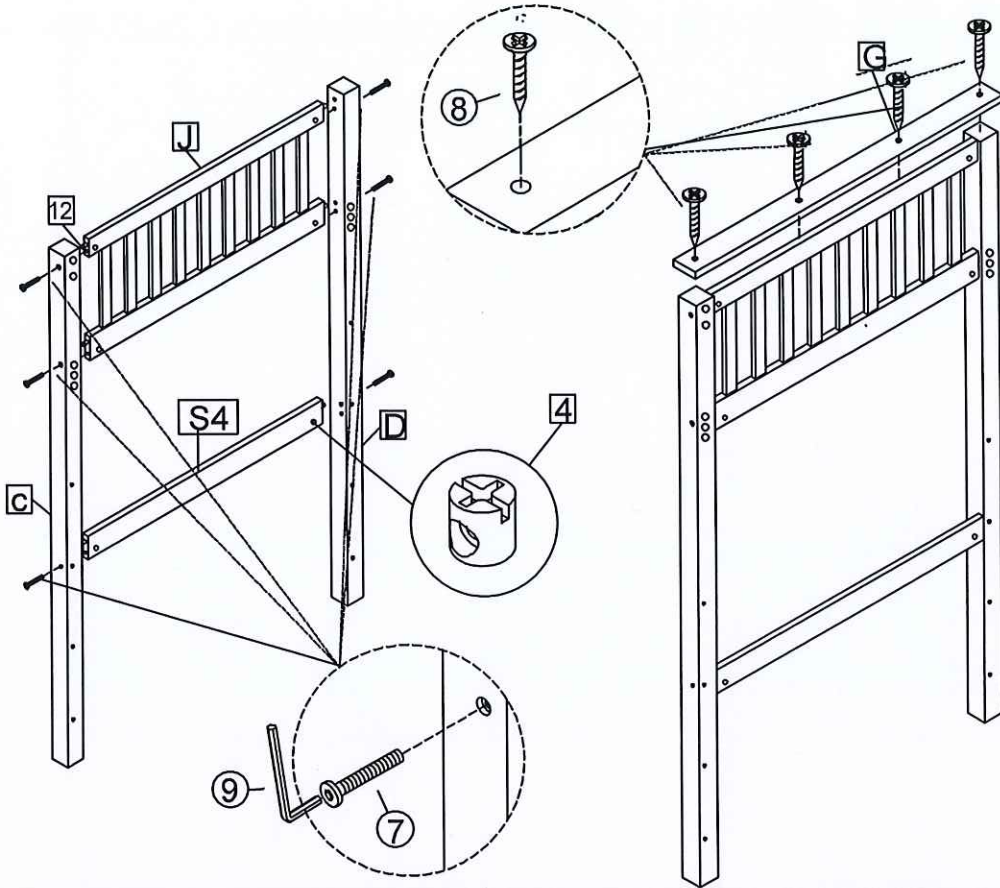


Step 1

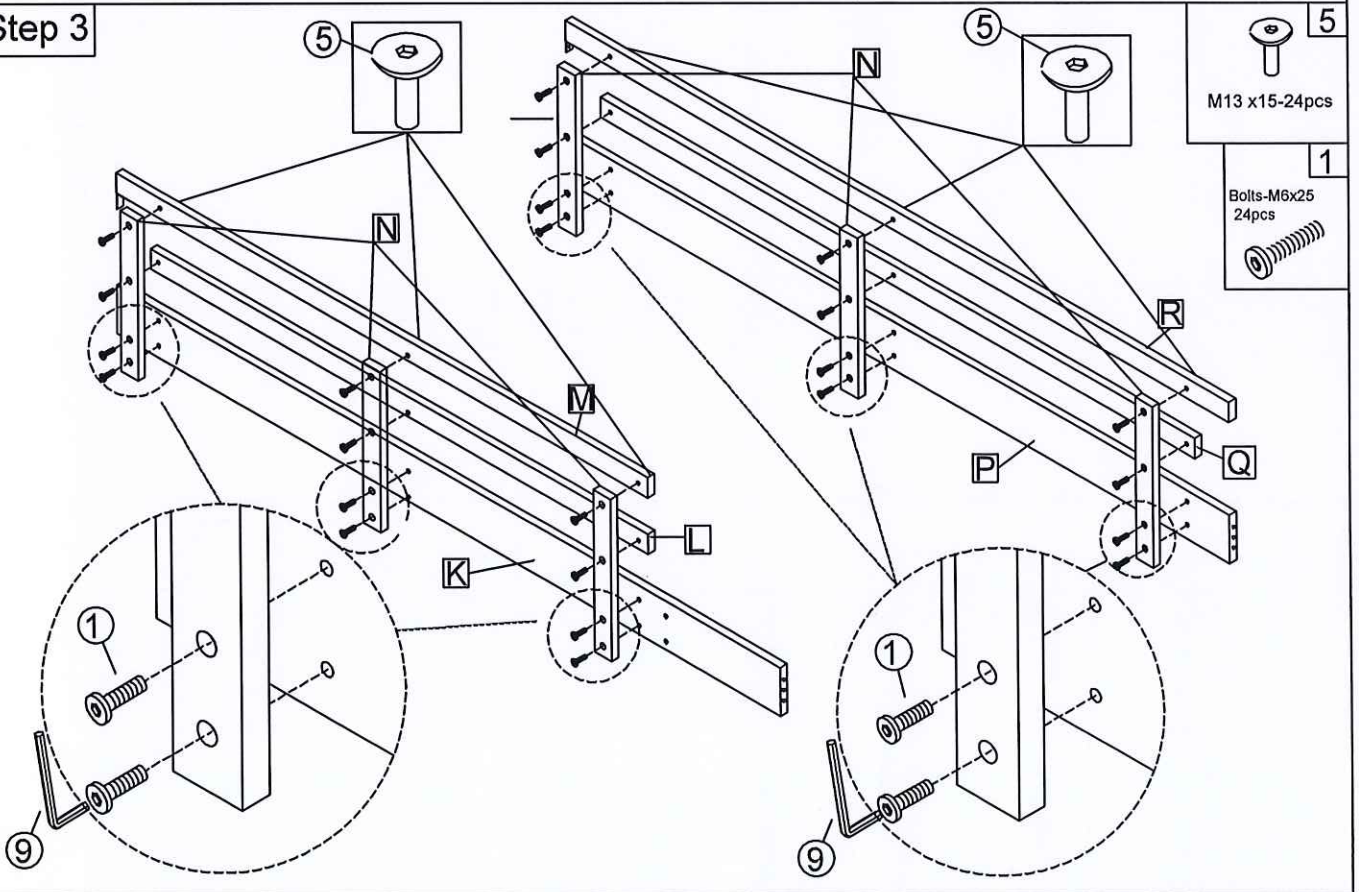


Step 2

- | | |
|----------------------|----------------------|
| 8 | 7 |
| screw 4x30
3pcs | Bolt-M6x100
6pcs |
| 4 | 12 |
| Ø1/4" 13 mm
6 pcs | Ø1/4" 30 mm
6 pcs |

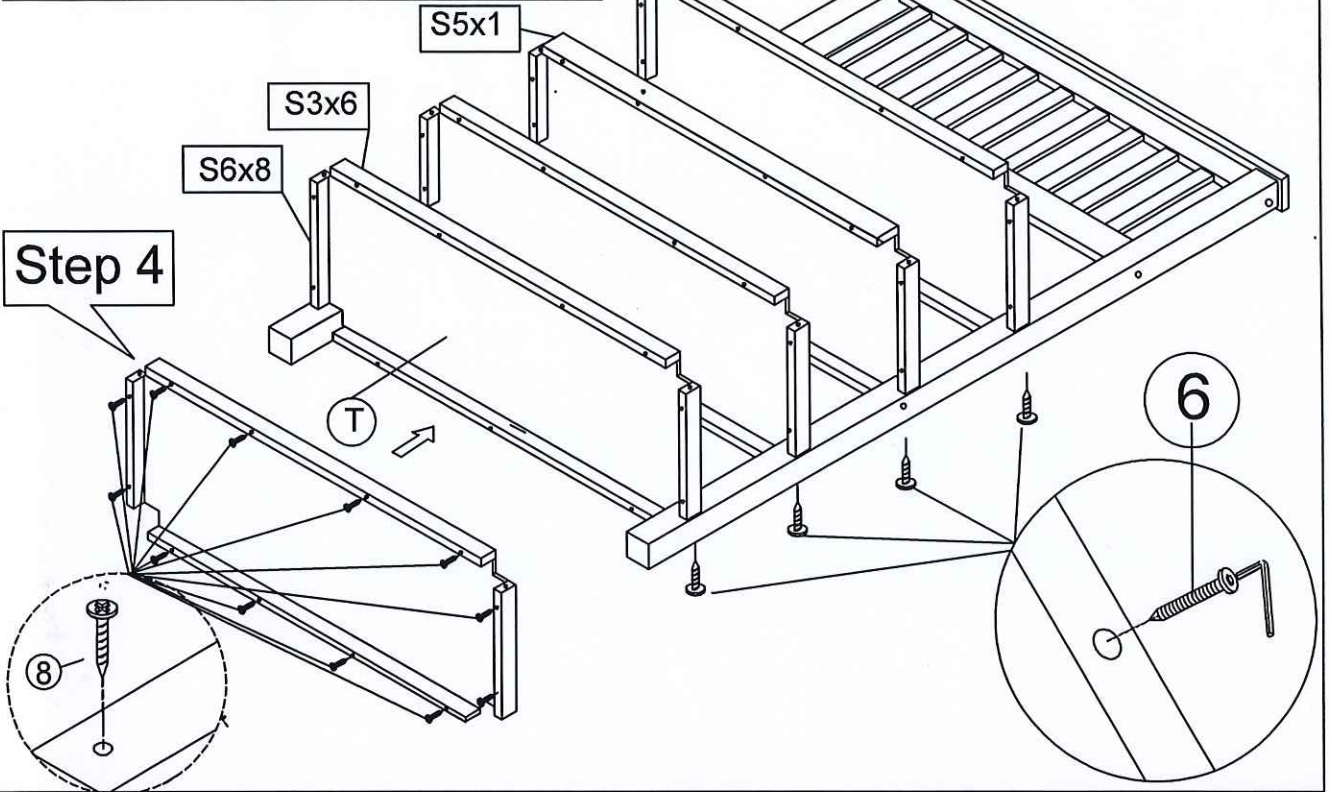


Step 3

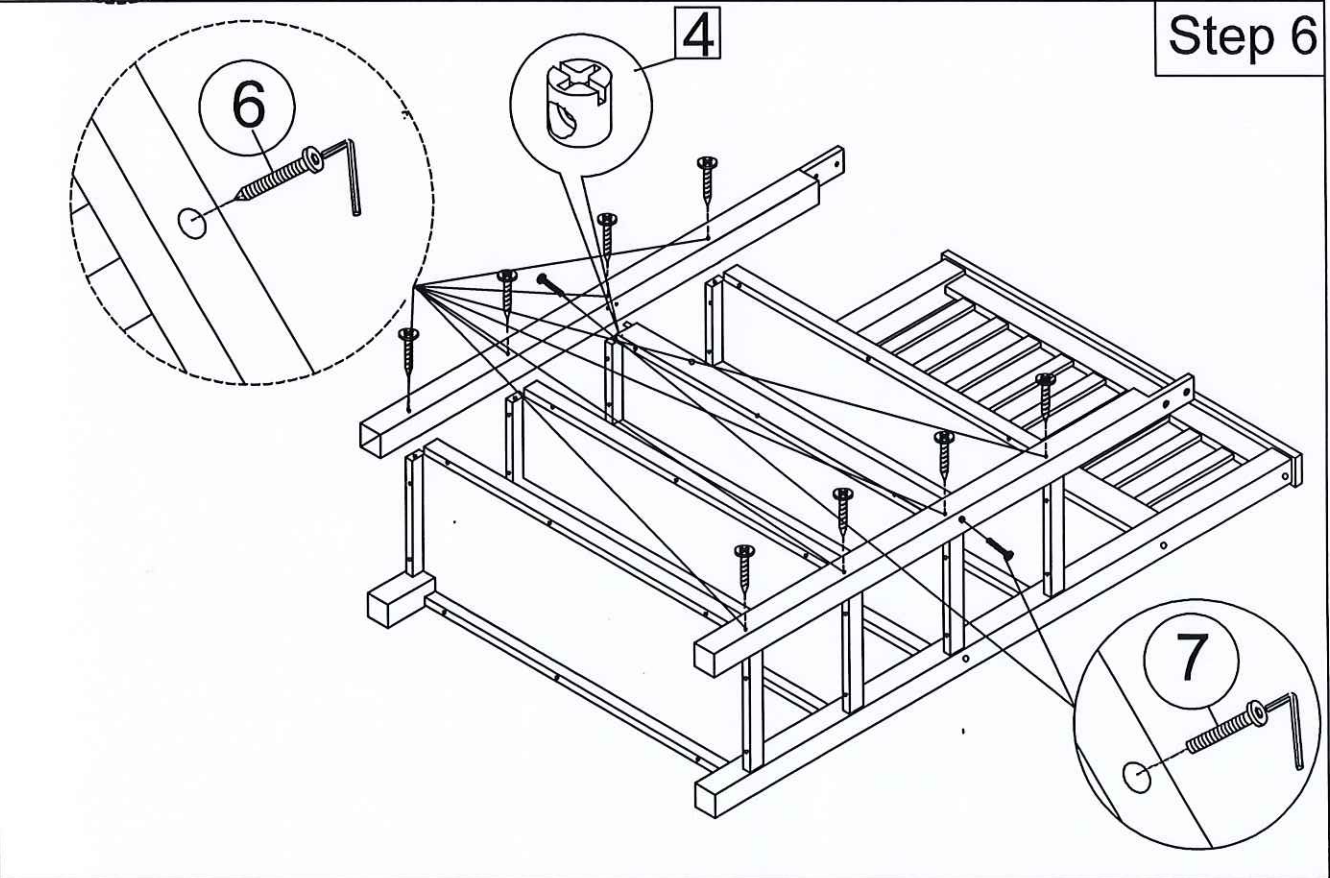


Step 5

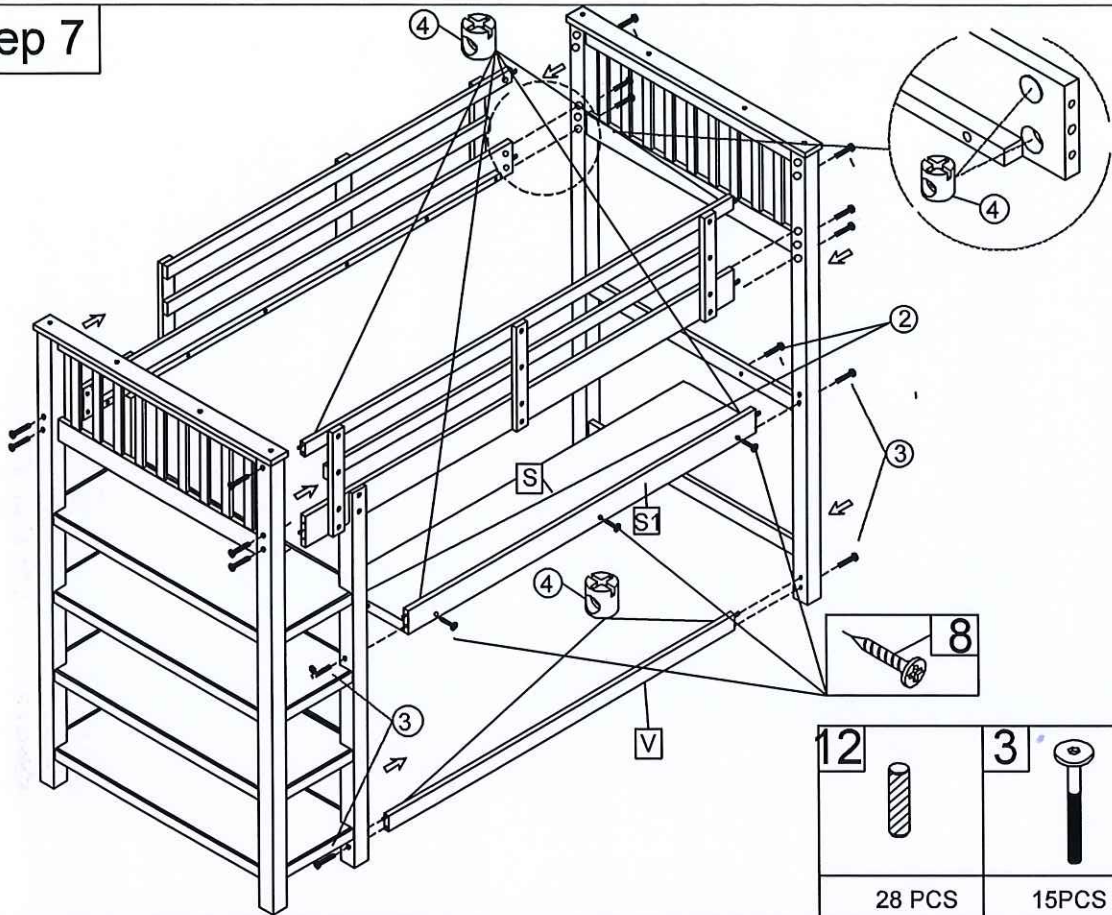
- 8** screw 4x30
48pcs
- 7** Bolts-6x100
2 pcs
- 6** wood-screw 6x70
16pcs
- 12** Ø1/4 "30 mm
2 pcs
- 4** Ø1/4 "13 mm
2 pcs








Step 6

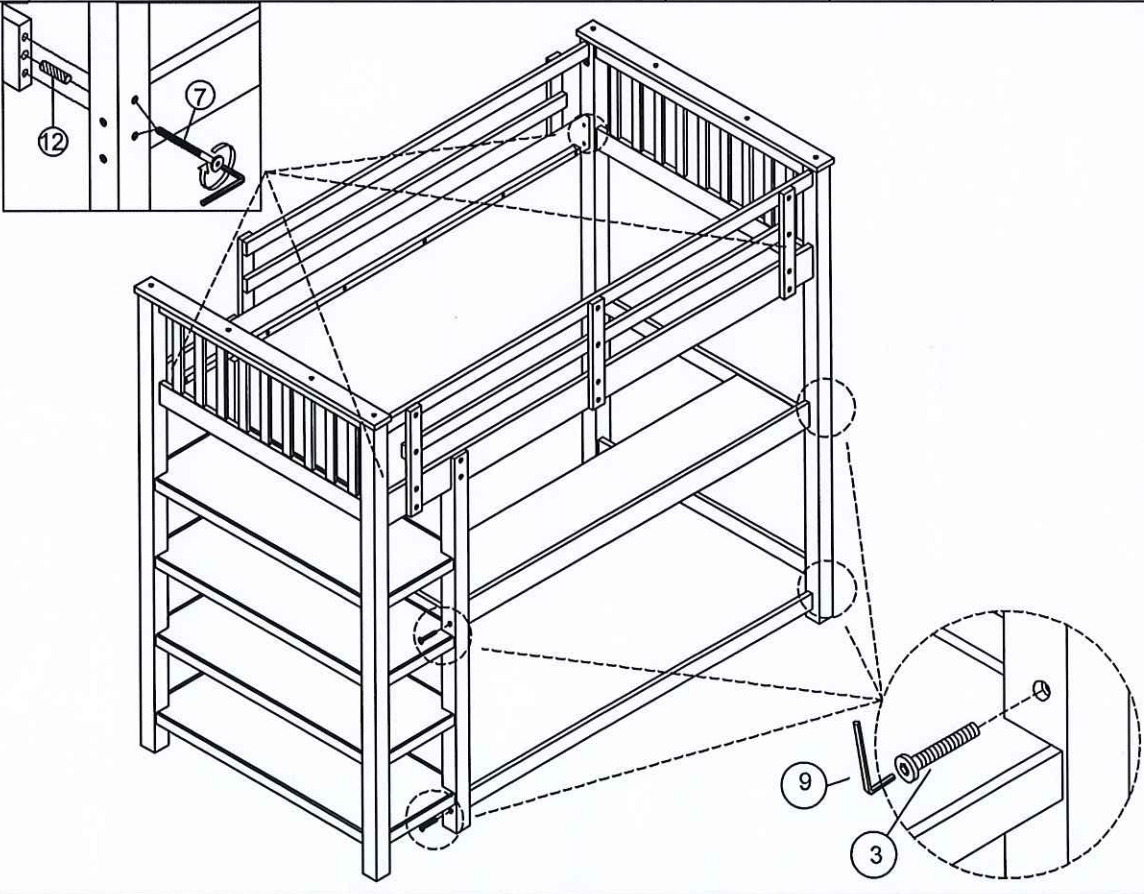


Step 7



2		2 PCS
8		3 PCS
12		28 PCS
3		15 PCS
4		17 PCS

Step 8

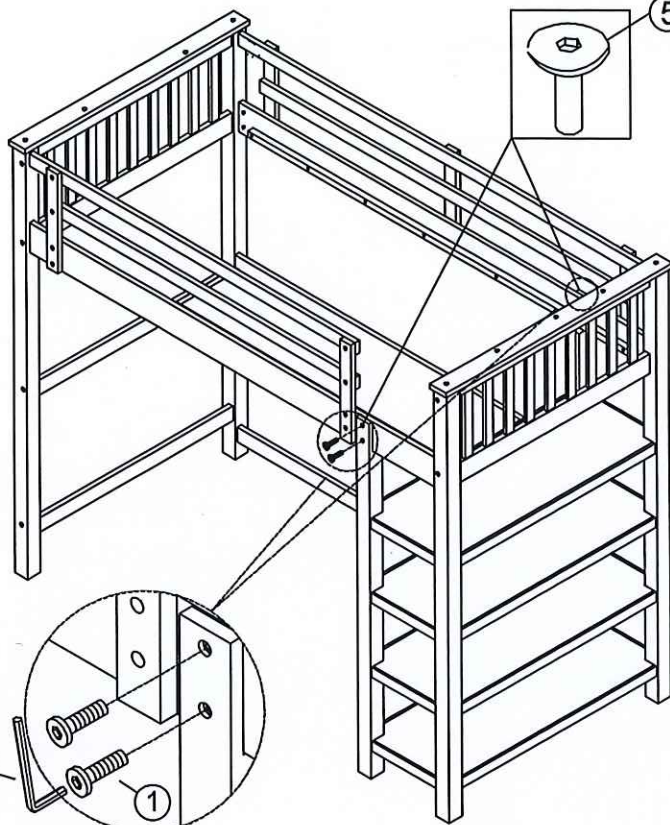


Step 9

1



6X25mm - 4PCS

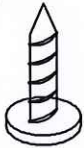


5

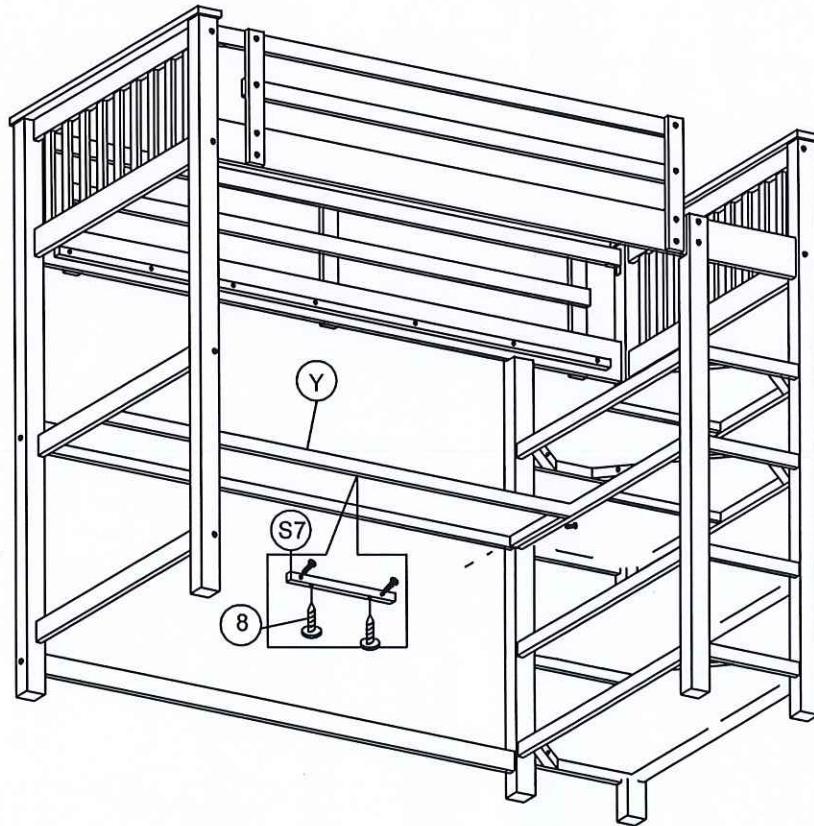
M13 x15-4pcs



Step 10

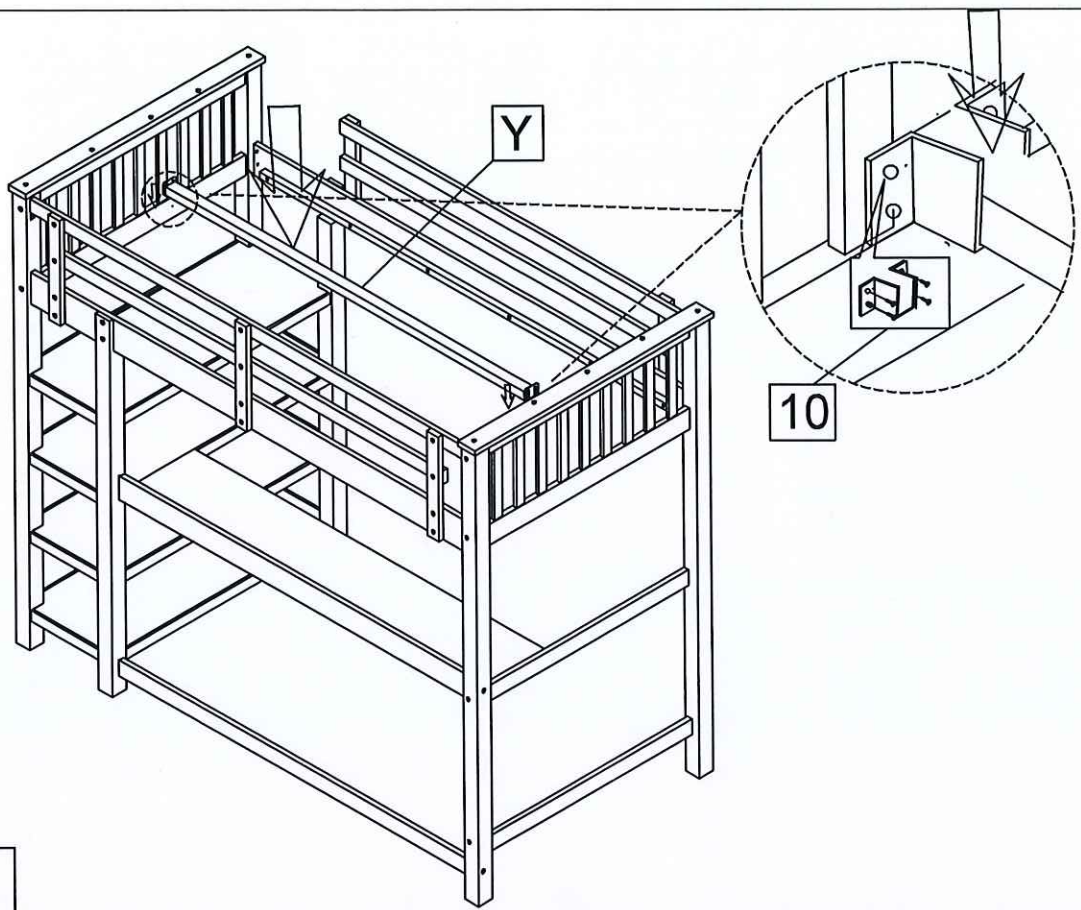
8



4X30mm - 4PCS



10	11
	
2PCS	8PCS



Step 11

Step 12

