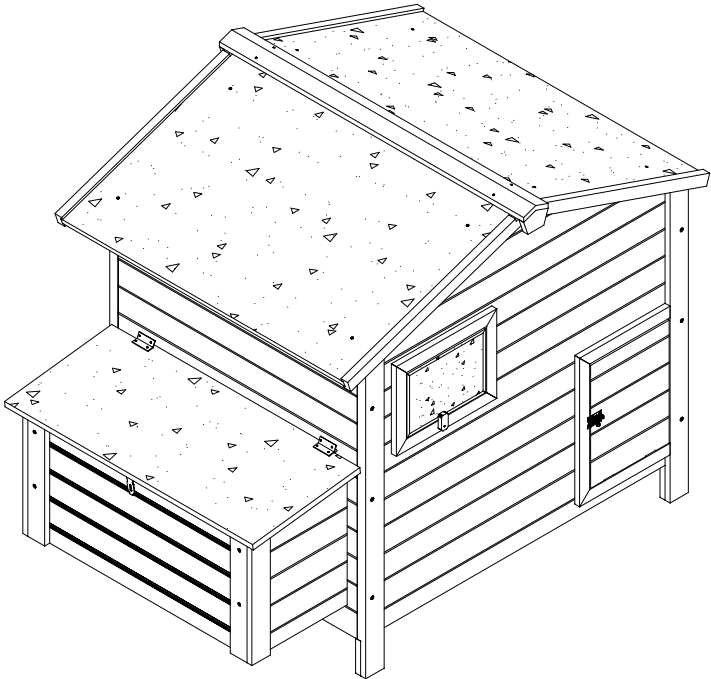
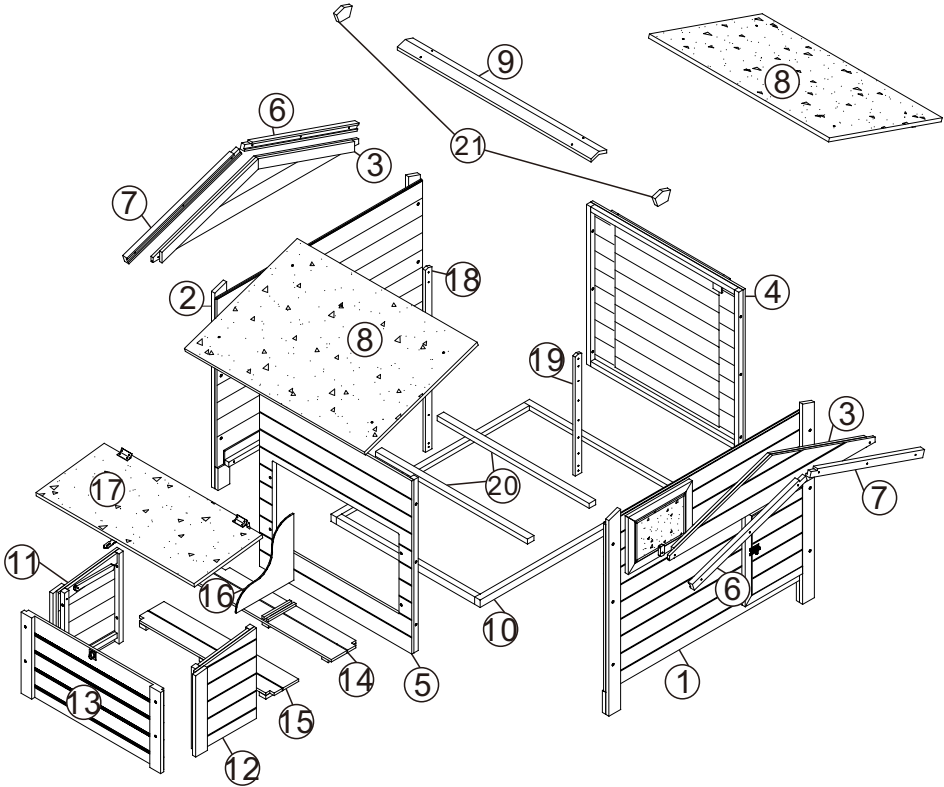


WF212739AAA WF212740AAA

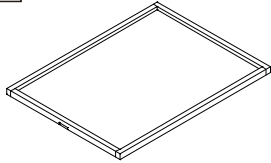

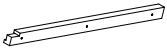

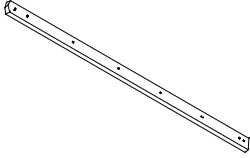
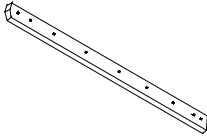
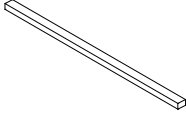
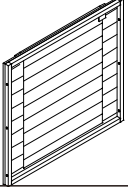
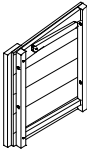

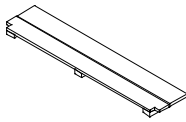

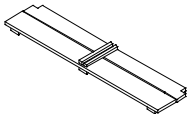
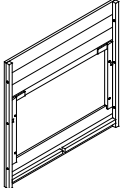
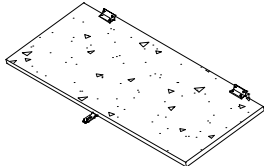
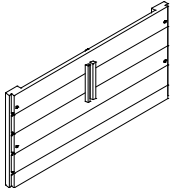


This set includes 2 boxes. If not receive full 2 boxes, please contact our customer service team


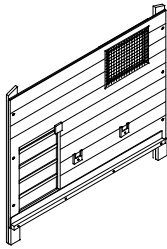
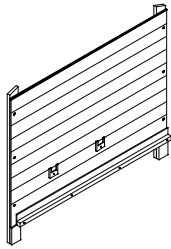
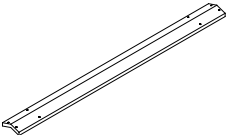
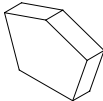
Detail View









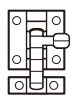
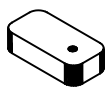
Hardware List(WF212739AAA)

10		6		7		3	
	tray-1pc		Part I-Wooden frame of roof-2pcs		Part li-Wooden frame of roof-2pcs		Upper part of Front&back panel-2pcs
18		19		20		4	
	Connection of back panel-1pc		Connection of front panel-1pc		Wood perch- 2pcs		Right panel-1pc
11		12		15		16	
	Left panel of Nesting box-1pc		Right panel of Nesting box-1pc		Bottom panel I of Nesting box-1pc		Divider- 1pc
14		5		17		13	
	Bottom panel II of Nesting box-1pc		Left panel-1pc		Roof of Nesting box-1pc		Front panel of Nesting box-1pc

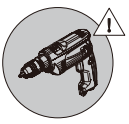
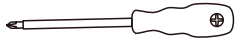
Hardware List(WF212740AAA)

8		1		2		9	
	Roof-2pcs		Front panel-1pc		Back panel-1pc		Wooden roof cap- 2pcs
21							
	wooden block- 2pcs						

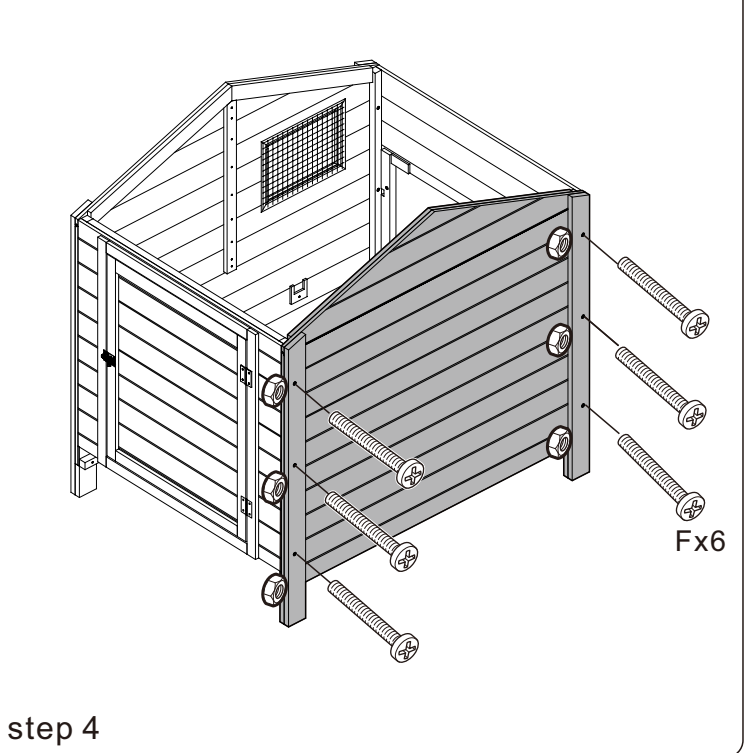
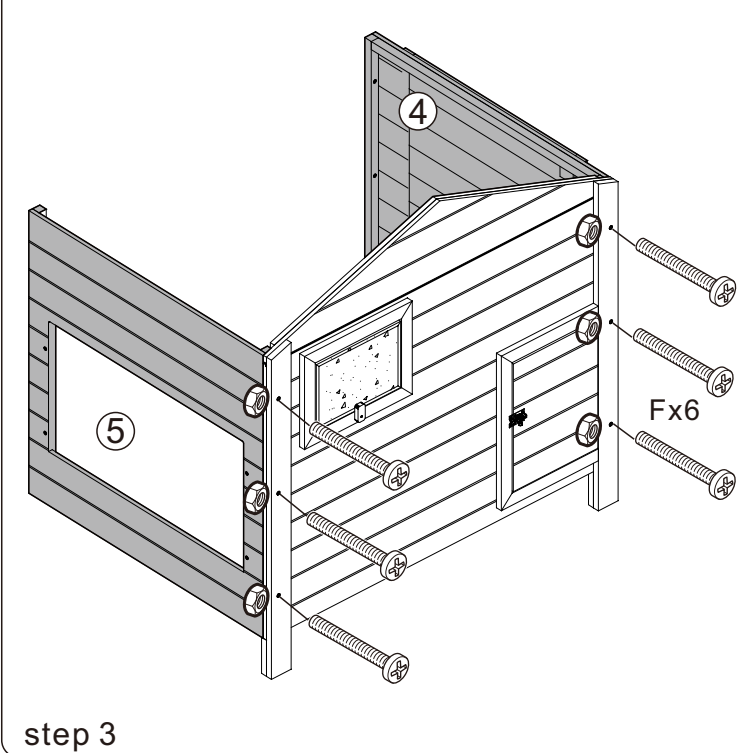
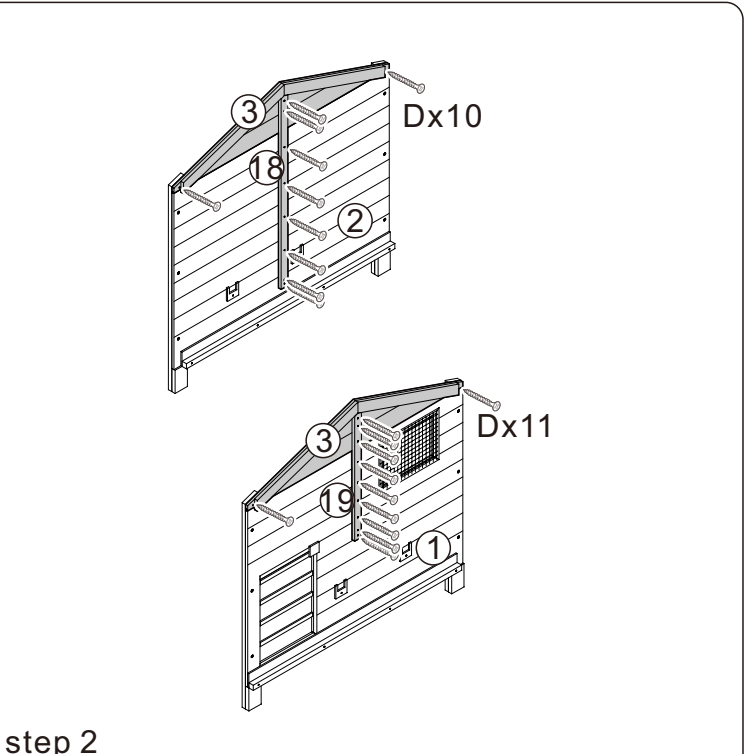
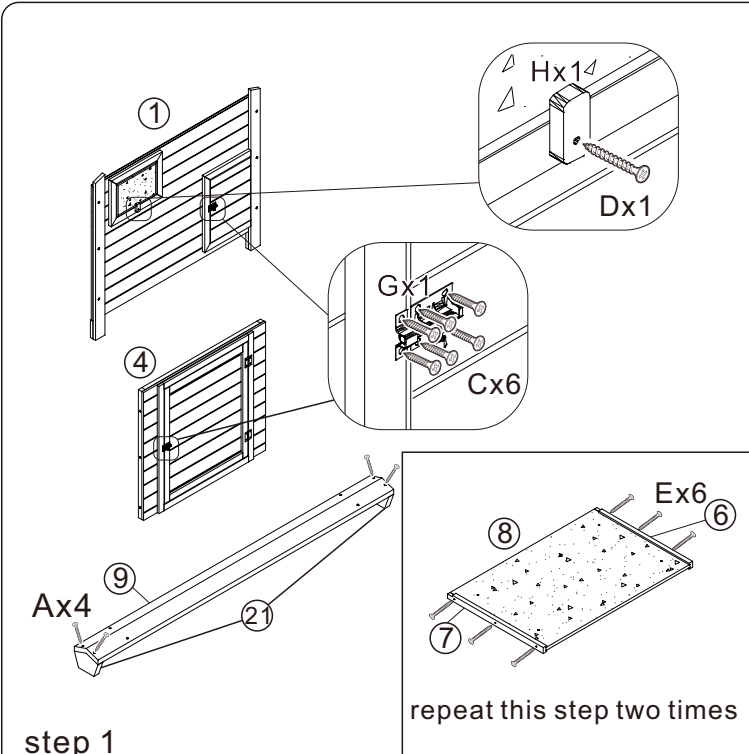
Hardware List

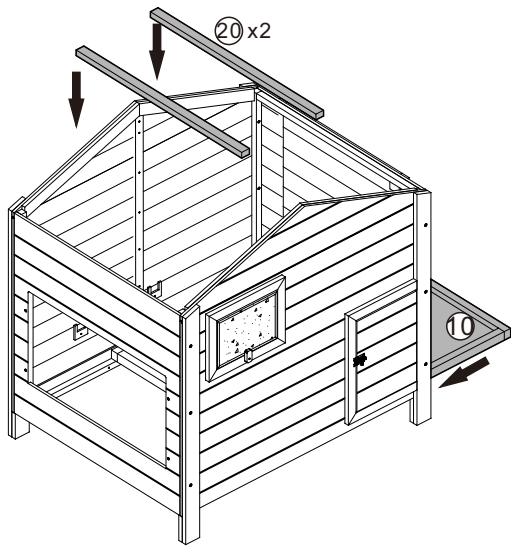
<p>A</p>  <p>3.5*35</p> <p>Ph zinc screws-12+1 pcs</p>	<p>B</p>  <p>3.5*25</p> <p>Ph zinc screws-4+1 pcs</p>	<p>C</p>  <p>3.0*16</p> <p>Ph zinc screws-16+1 pcs</p>	<p>D</p>  <p>3.0*20</p> <p>Ph zinc screws-22+1 pcs</p>
<p>E</p>  <p>3.5*38</p> <p>Ph zinc screws-12+1 pcs</p>	<p>F</p>  <p>M4*60</p> <p>Ph zinc Bolt-20+1 PCS</p>	<p>G</p>  <p>Metal latch-2PCS</p>	<p>H</p>  <p>Wood door knob-1PC</p>

ASSEMBLY TOOLS REQUIRED(NOT INCLUDED)

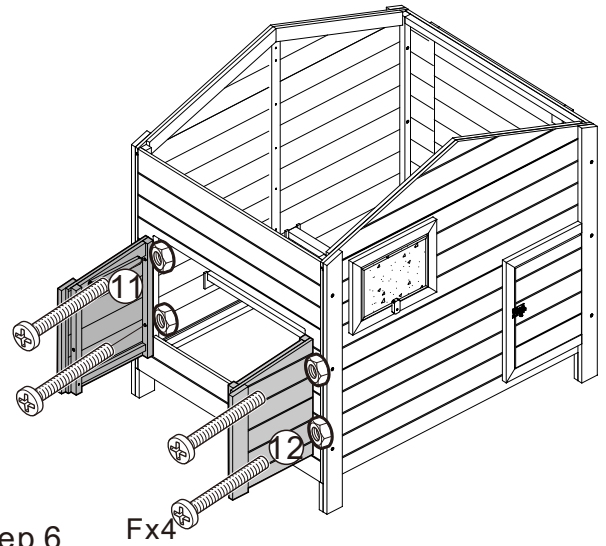


PLEASE BE CAREFUL DO NOT DAMAGE THE HOLE POSITION WHEN YOU USE POWERTOOLS !

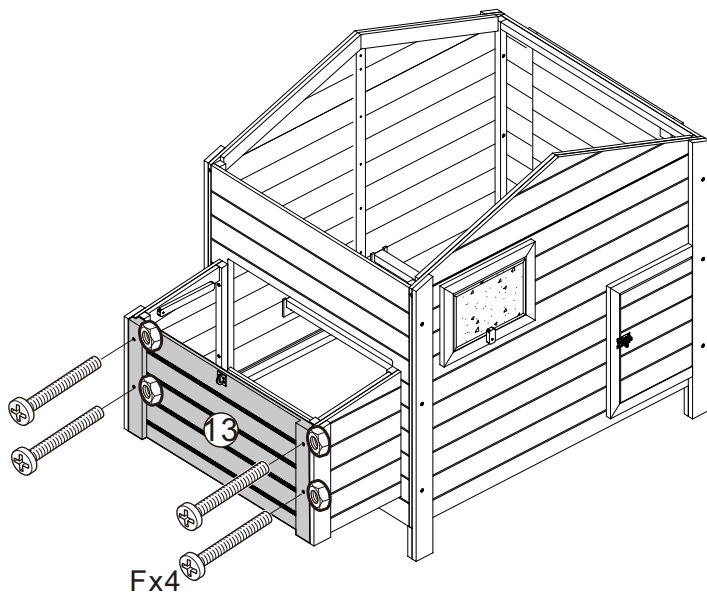




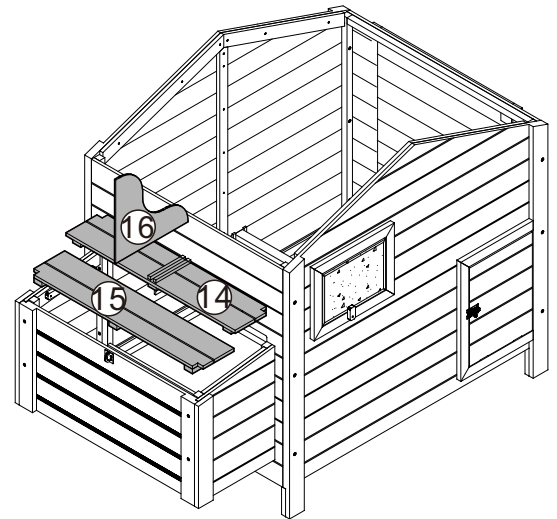
step 5



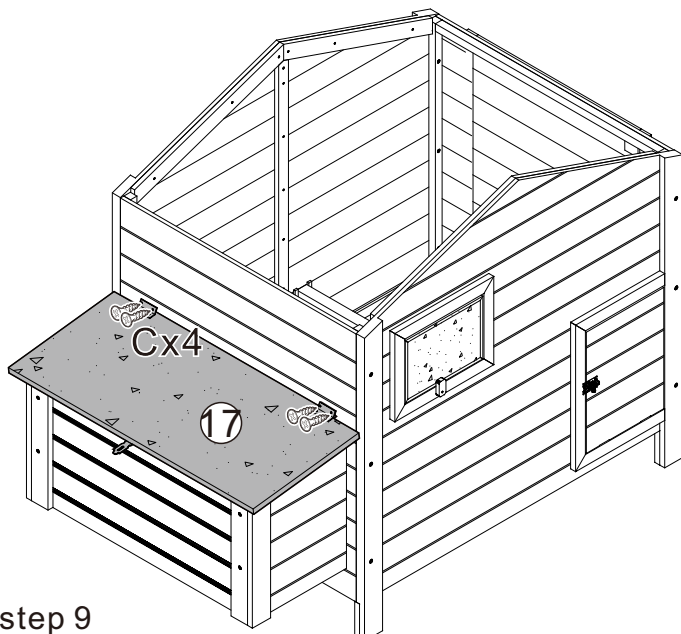
step 6 Fx4



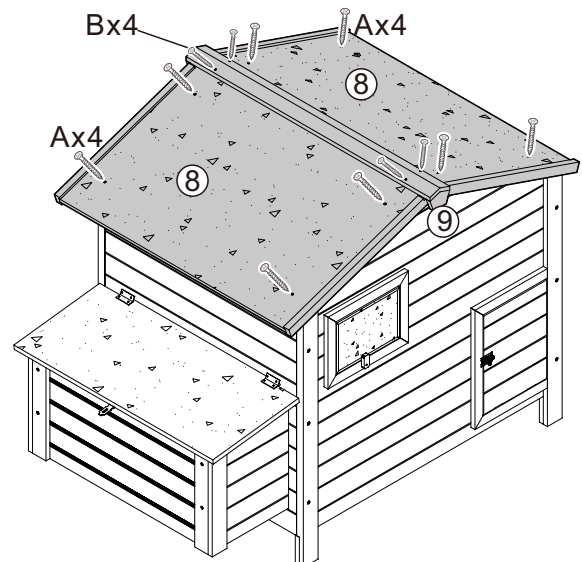
step 7



step 8



step 9



step 10